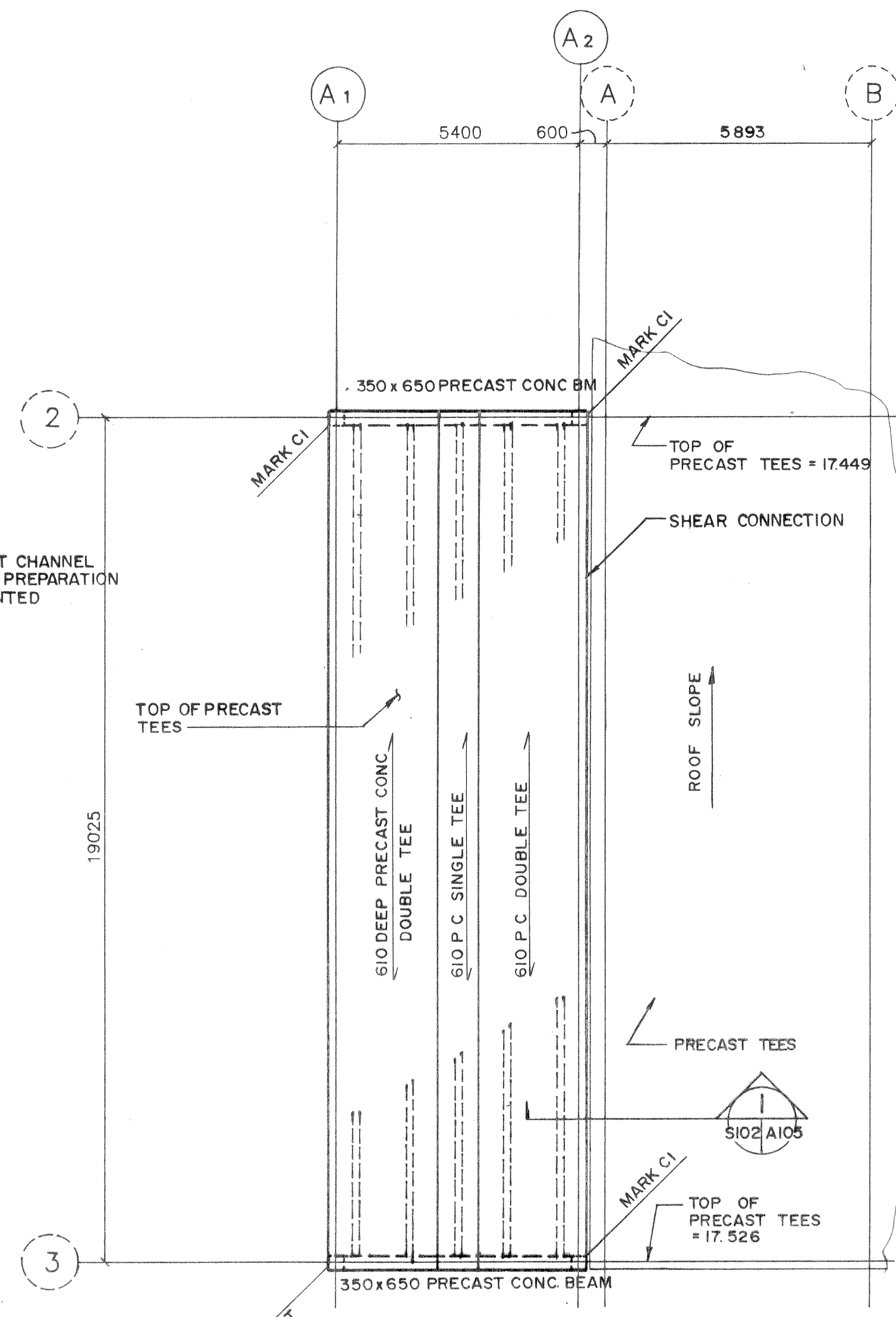
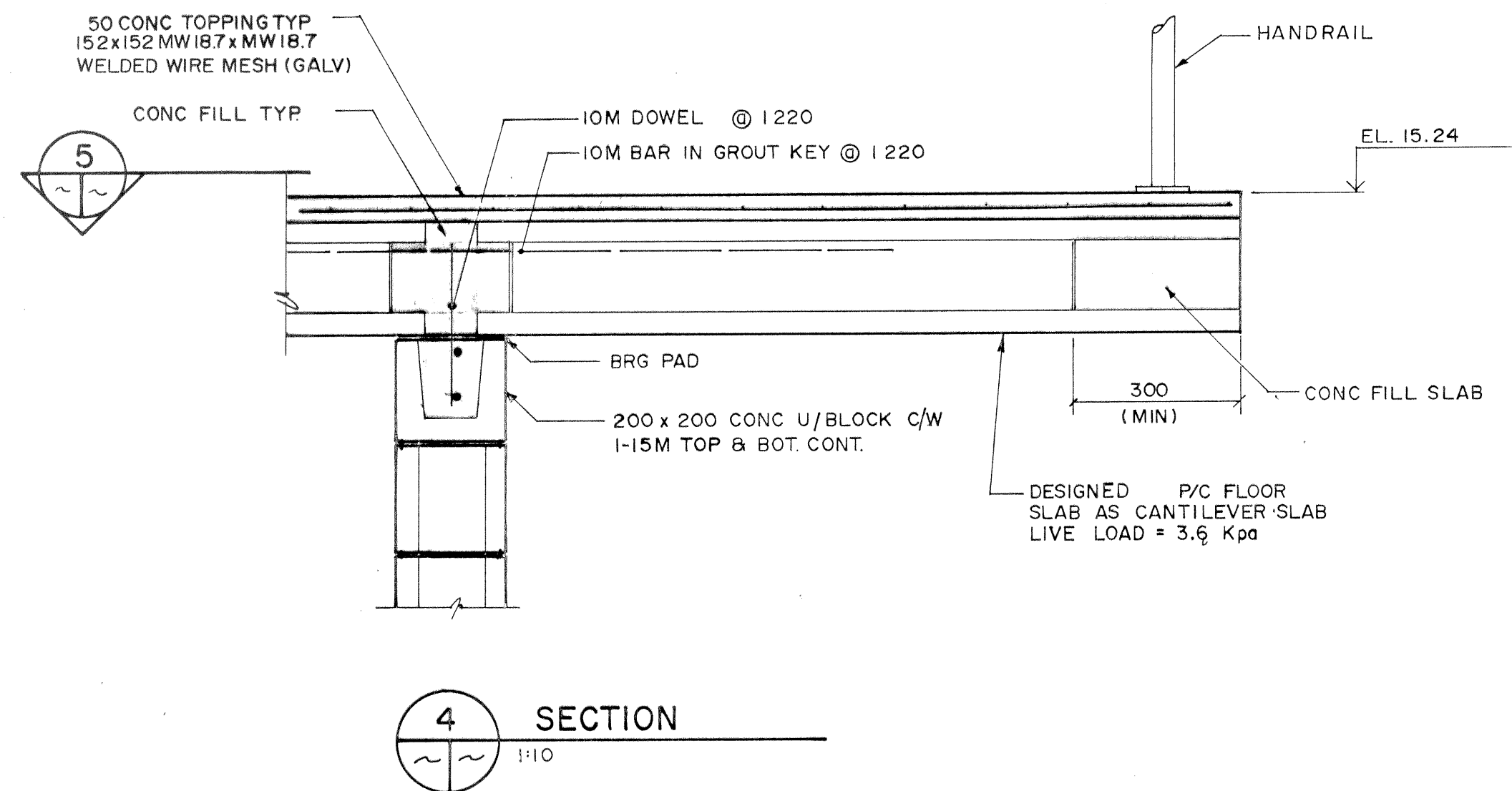


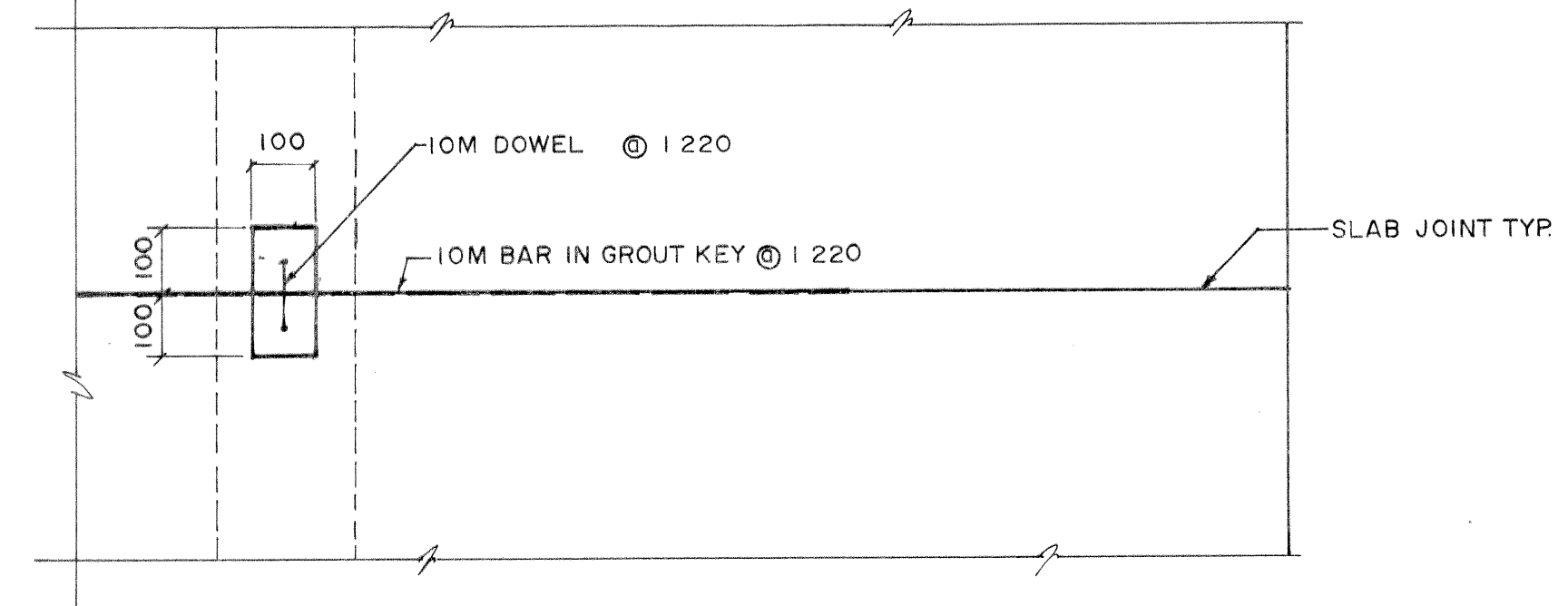
1 MAIN FLOOR PLAN
1:100 LIVE LOAD 4.8 kPa
FIN. FLR. EL. 11.735



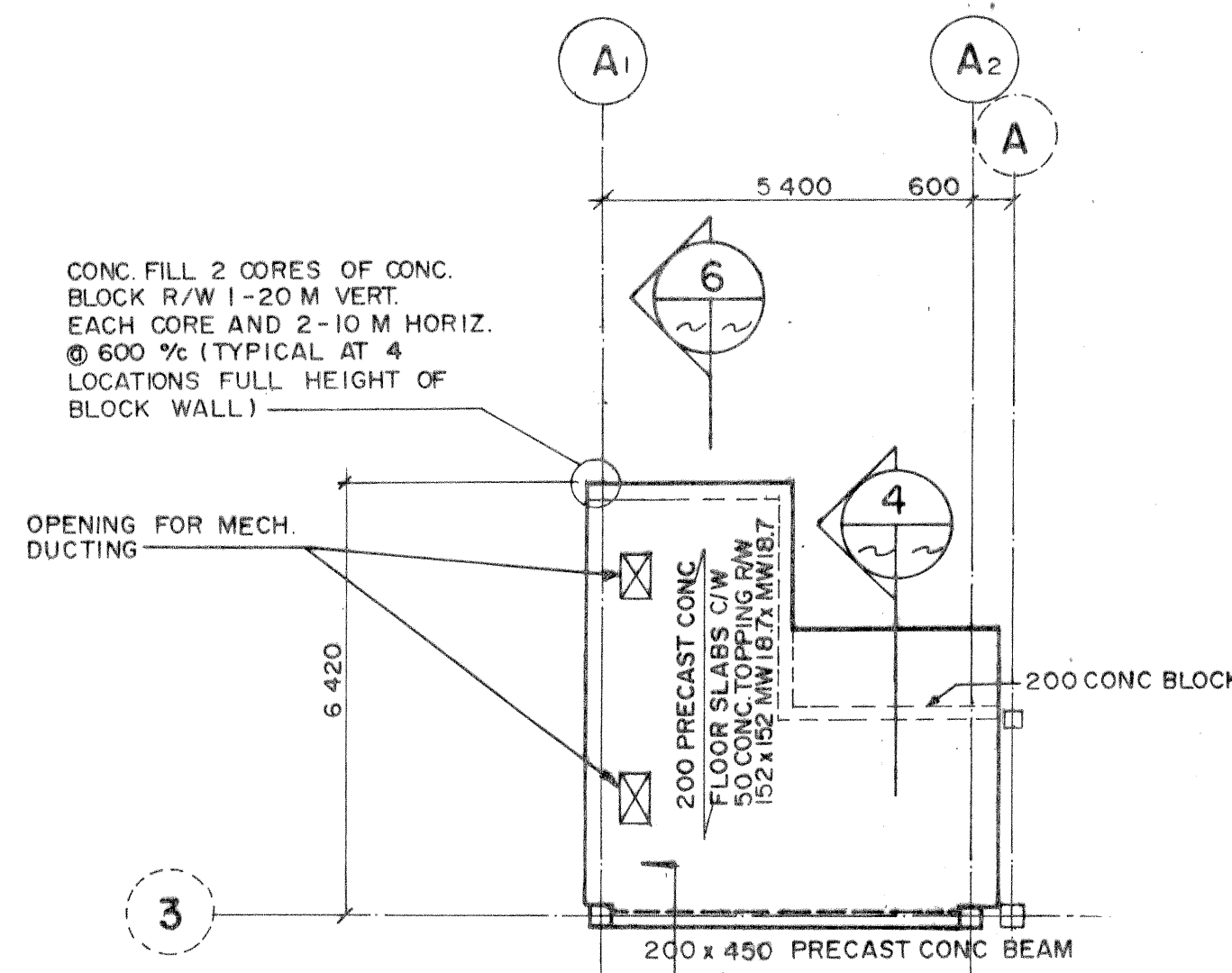
3 ROOF PLAN
1:100 SUPERIMPOSED DEAD LOAD 0.5 kPa
SNOW LOAD 1.7 kPa
LIVE LOAD 1.0 kPa



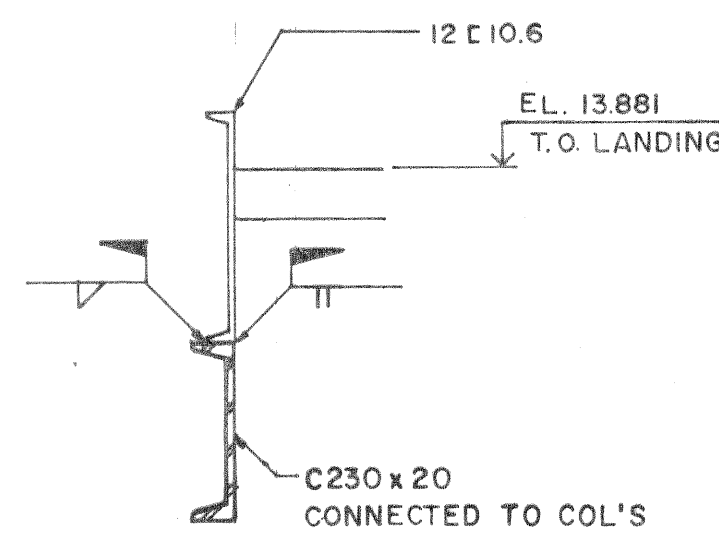
4 SECTION
1:10



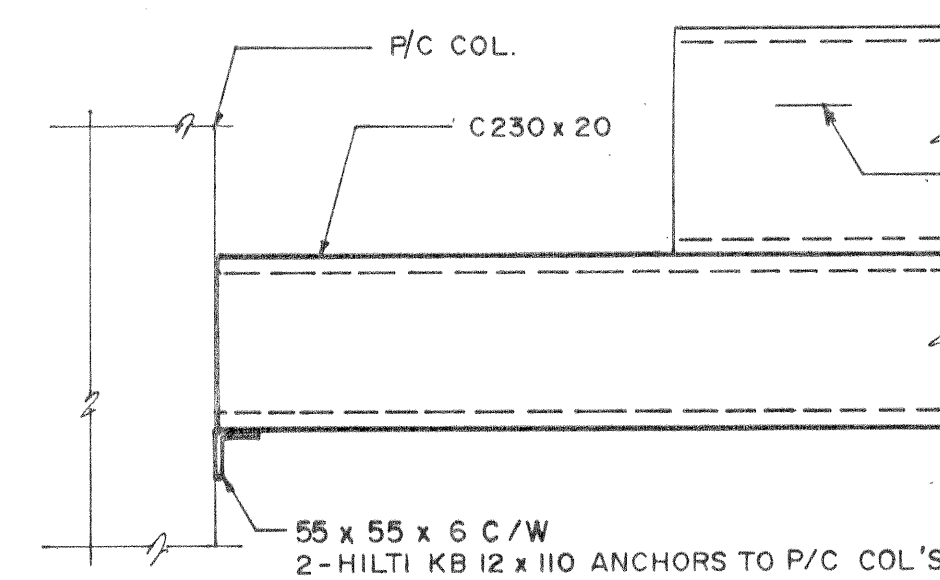
5 PLAN
1:10



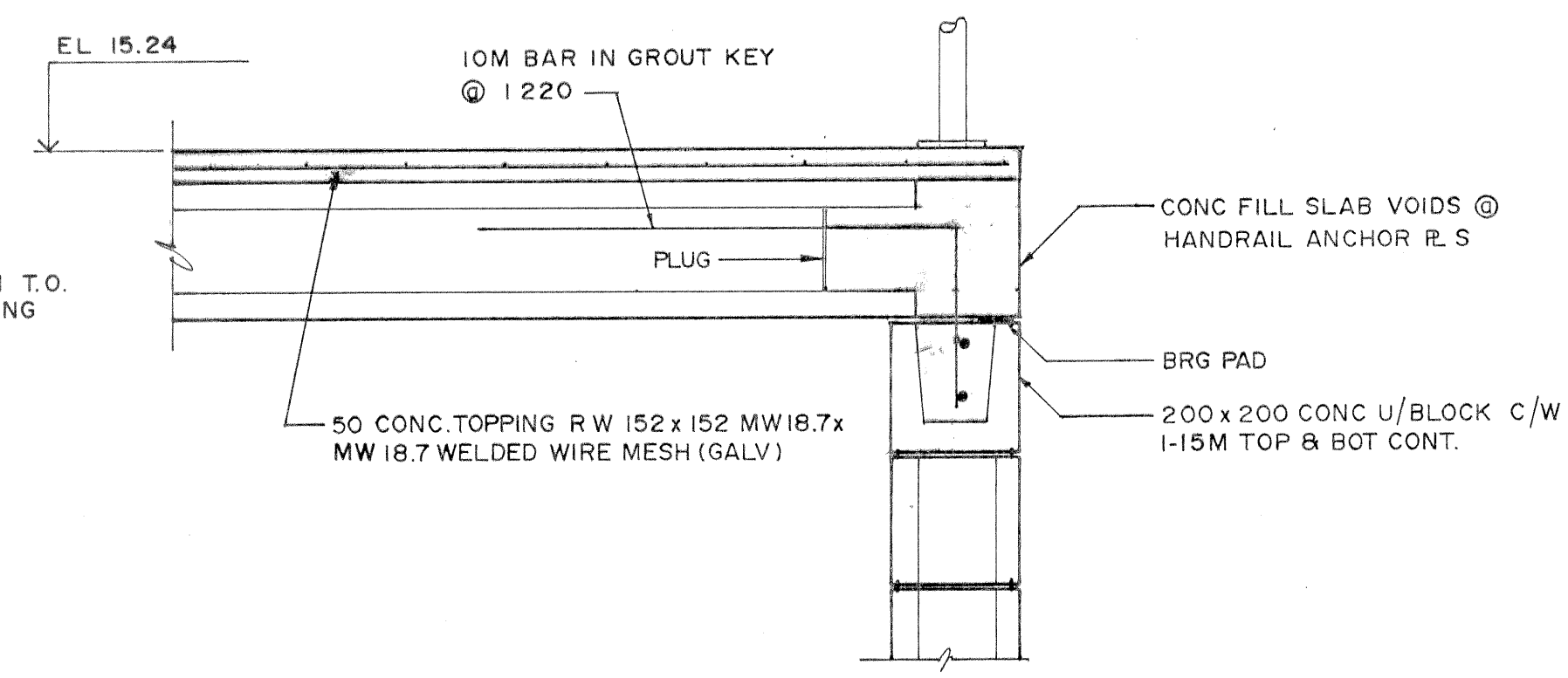
2 PLENUM FLOOR PLAN
1:100 LIVE LOAD 3.6 kPa
FIN. FLR. EL. 15.240



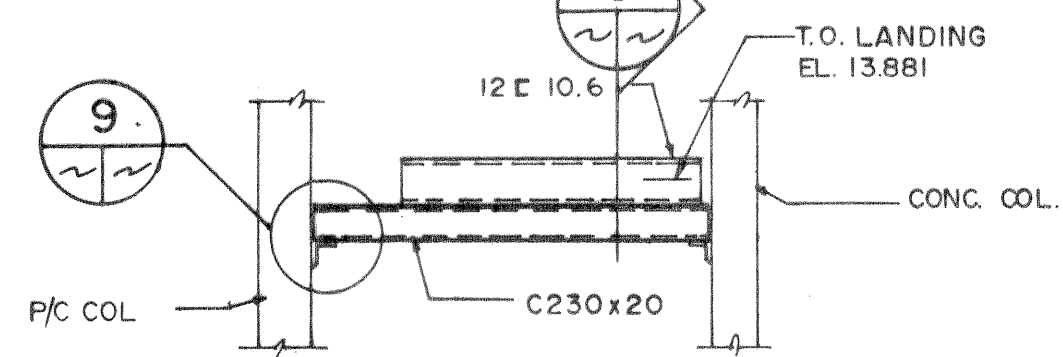
8 SECTION
1:10



9 DETAIL
1:10



6 SECTION
1:10



7 SECTION
1:50

AS-BUILT
DATE _____ BY _____
CHECKED BY _____

Wardrop-MacLaren ENGINEERING CONSULTANTS		ENGINEER'S SEAL PROVINCE OF MANITOBA J.C.S. CHAN REGISTERED PROFESSIONAL ENGINEER		THE CITY OF WINNIPEG WORKS AND OPERATIONS DIVISION WATERWORKS WASTE AND DISPOSAL DEPARTMENT	
DESIGNED BY: JC	CHECKED BY: [Signature]	NORTH END WATER POLLUTION CONTROL CENTRE PRE TREATMENT BUILDING STRUCTURAL		CITY DRAWING NUMBER	
DRAWN BY: BR & TO	APPROVED BY: [Signature]	MAIN FL., PLENUM FL. & ROOF FRAMING PLANS, SECTIONS & DETAILS		SHEET OF	
1 AS CONSTRUCTED AUG 89	HOR. SCALE 1:100	CONSULTANT DRAWING NO. 870012 05 02 00 S102		NEP 1559	
0 ISSUED FOR TENDER 88 09 17 GRA	VERTICAL UNLESS NOTED	DATE: SEPT 16, 1988		DATE: SEPT 12, 1988	

NEP-1559

NR11747