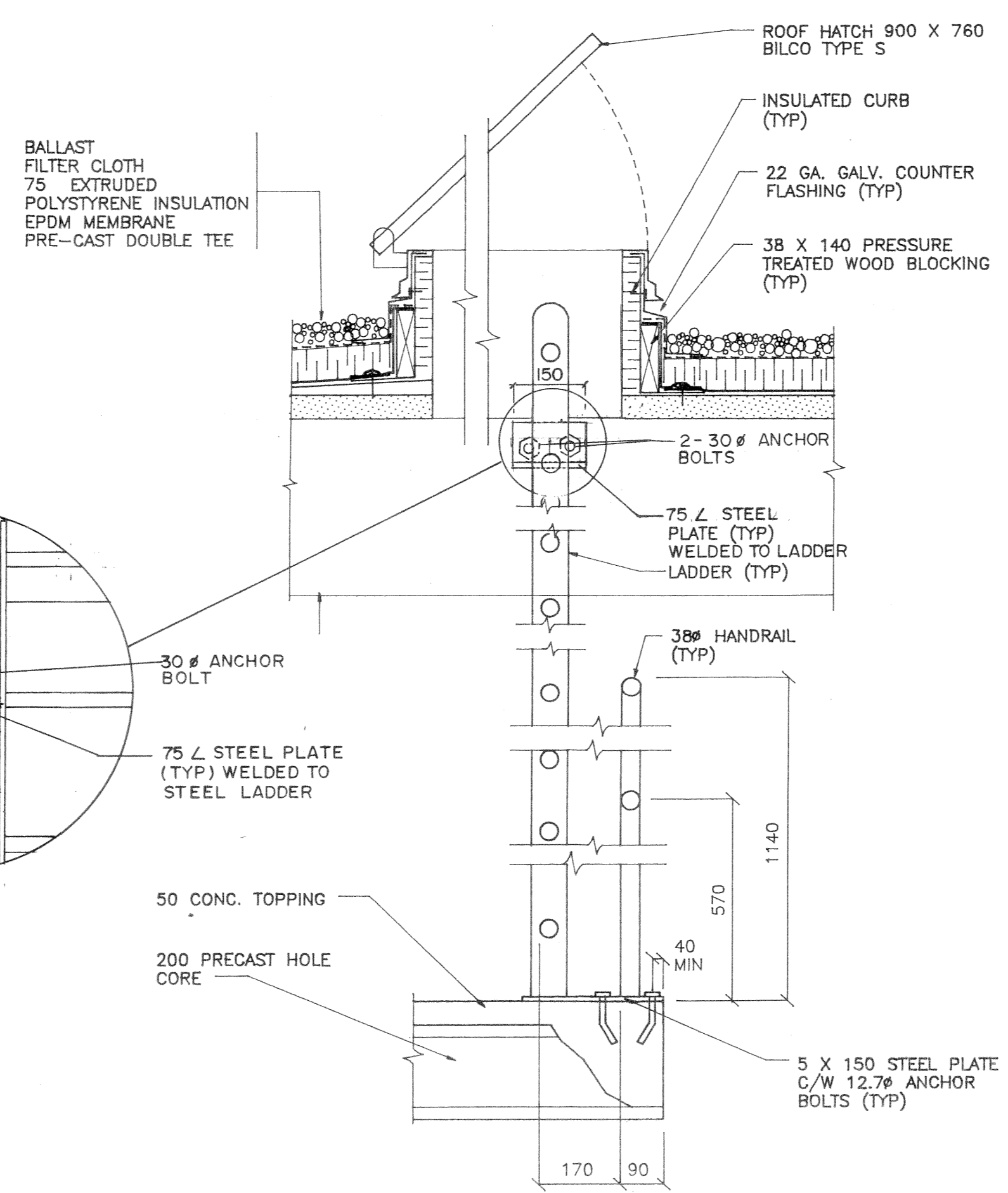
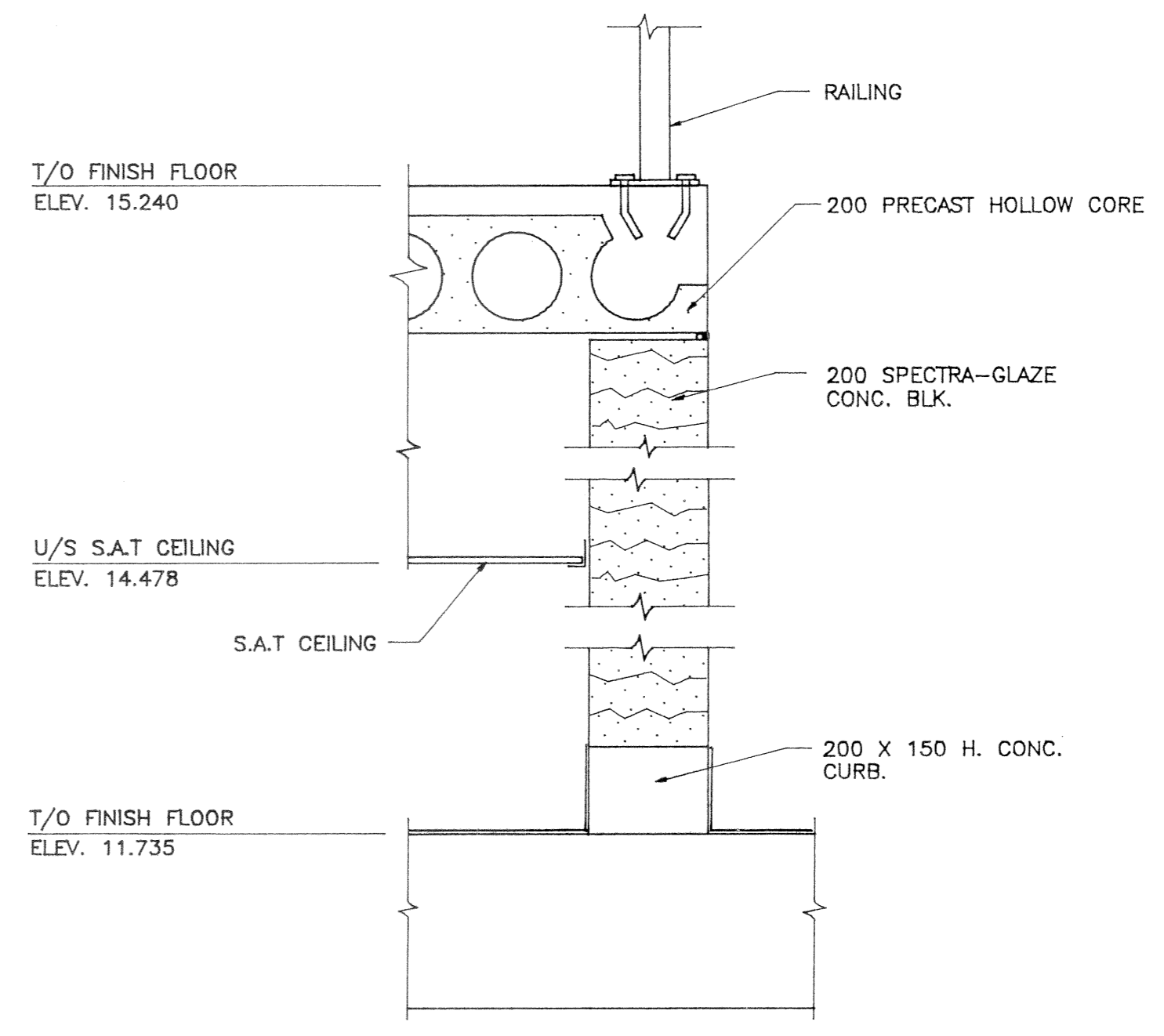


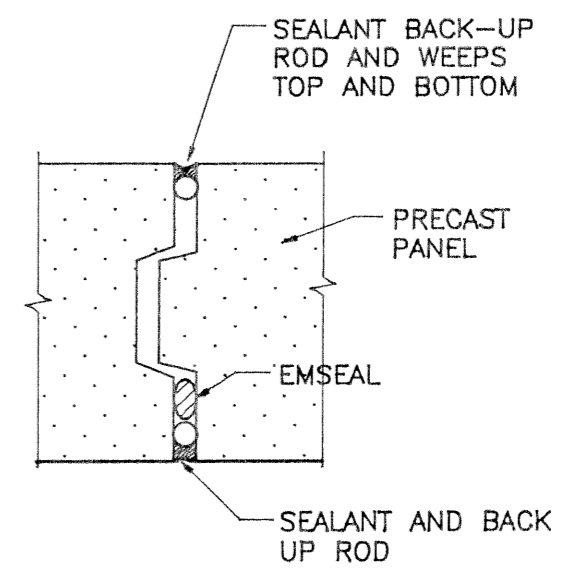
1 WALL SECTION
1 : 10
S102 | A103 | A105



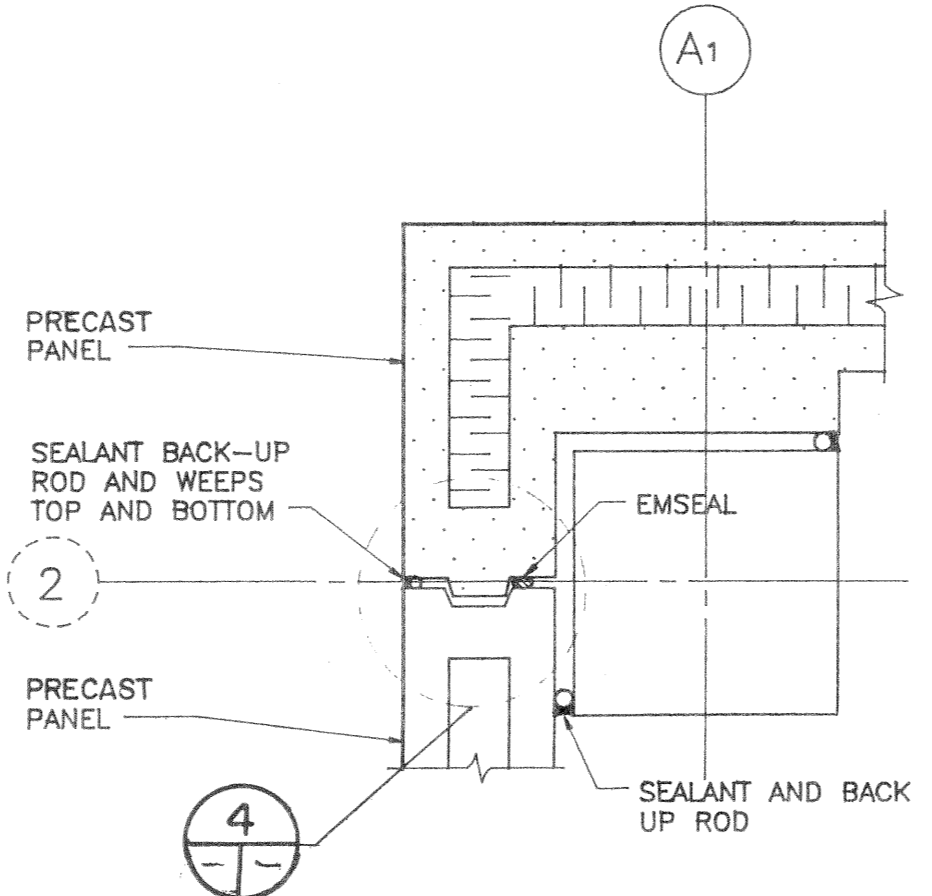
2 WALL SECTION
1 : 10
A103 | A105



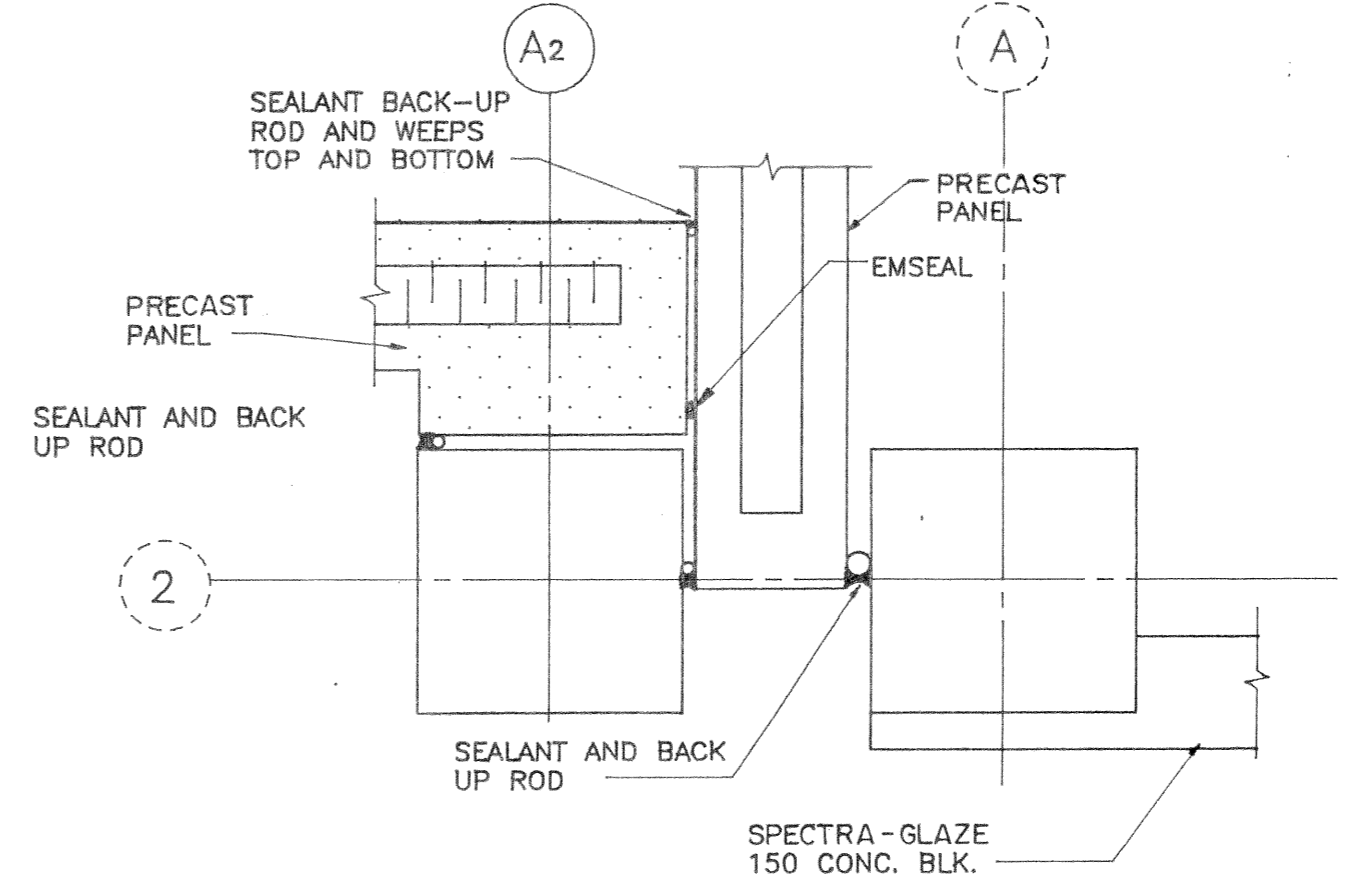
3 WALL SECTION
1 : 10
A103 | A105



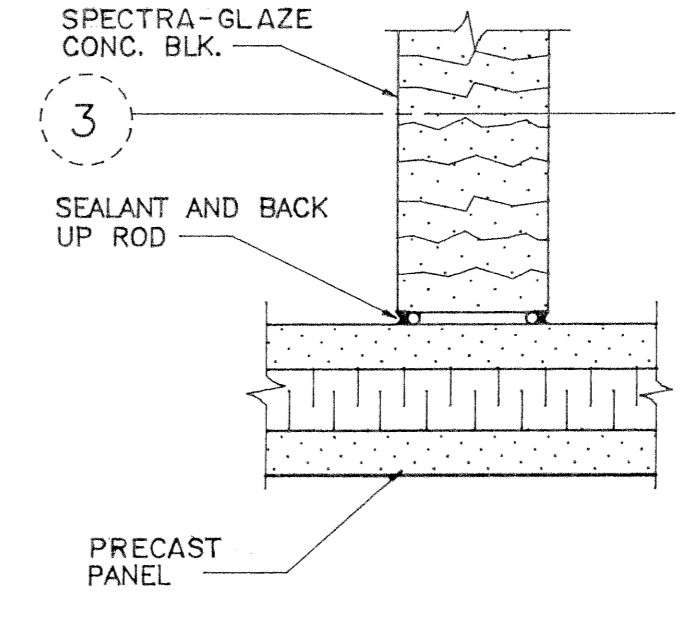
4 DETAIL
1 : 5



5 DETAIL
1 : 10
A101 | A105



6 DETAIL
1 : 10
A101 | A105



7 DETAIL
1 : 10
A101 | A105

AS-BUILT	
DATE _____ BY _____	
CHECKED BY _____	

NO.	REVISIONS	DATE	BY
1	AS CONSTRUCTED	AUG 89	GRA
0	ISSUED FOR TENDER	880917	GRA

Wardrop-MacLaren
ENGINEERING CONSULTANTS

DESIGNED BY: DRM
DRAWN BY: GRA
HOR SCALE: 1 : 100
VERTICAL: UNLESS NOTED
DATE: SEPTEMBER 1988

CHECKED BY: [Signature]
APPROVED BY: [Signature]
RELEASED FOR CONSTRUCTION: [Signature]
DATE: SEPT. 19, 1988

PROVINCE OF MANITOBA
REGISTERED ENGINEER
C. D. STEWART

CONSULTANT DRAWING NO. 870012-05-02-A105

THE CITY OF WINNIPEG
WORKS AND OPERATIONS DIVISION
WATERWORKS, WASTE AND DISPOSAL DEPARTMENT

NORTH END WATER POLLUTION CONTROL CENTRE
PRE-TREATMENT BUILDING - ARCHITECTURAL

WALL SECTIONS AND DETAILS

NEP 1556

NEP-1556

NR11744