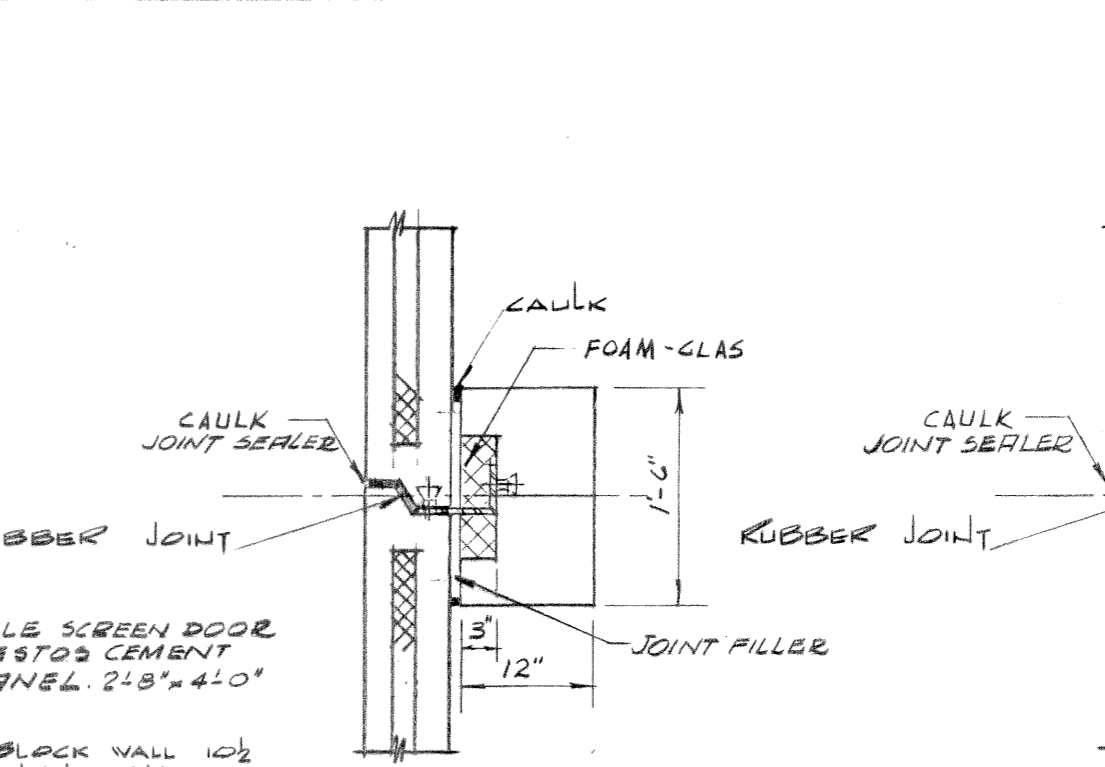
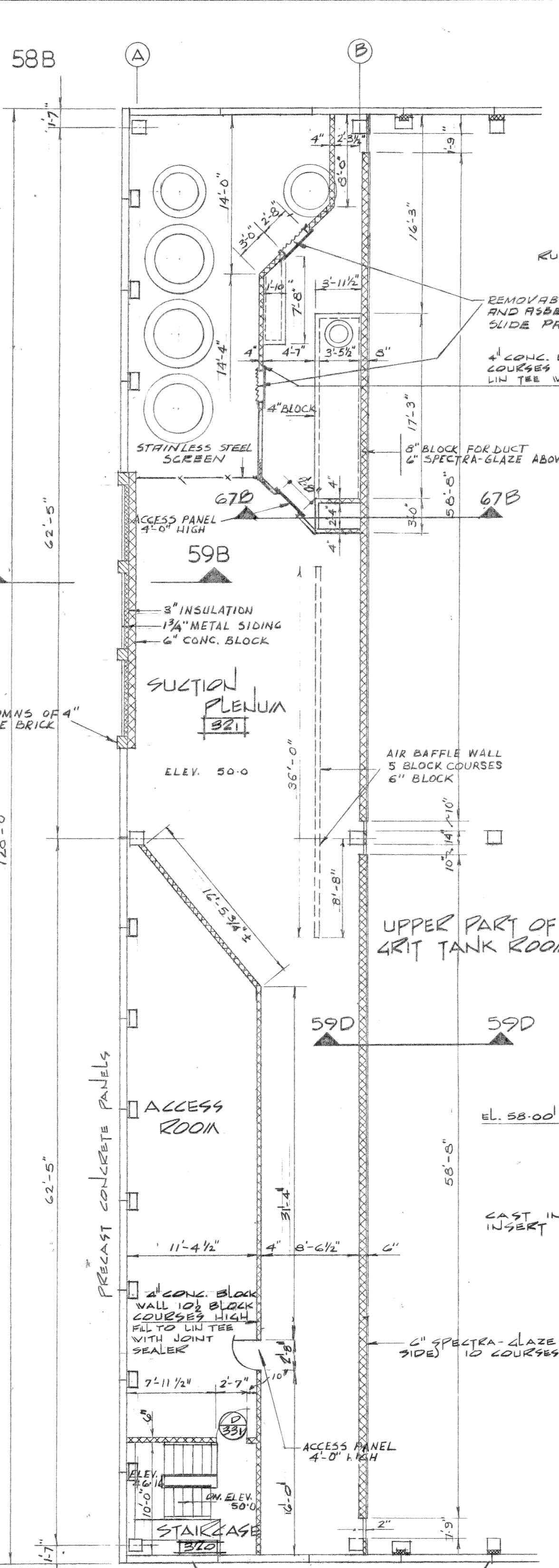
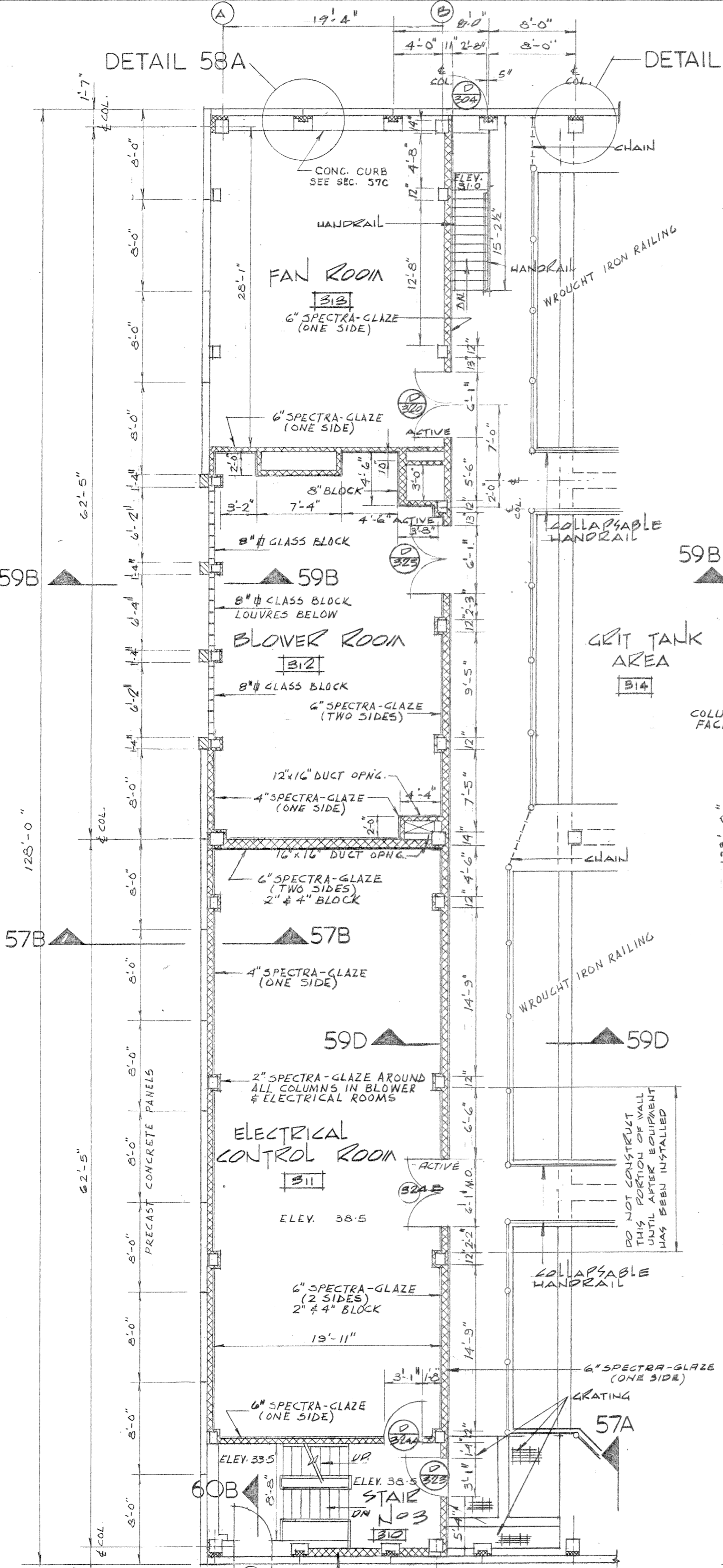
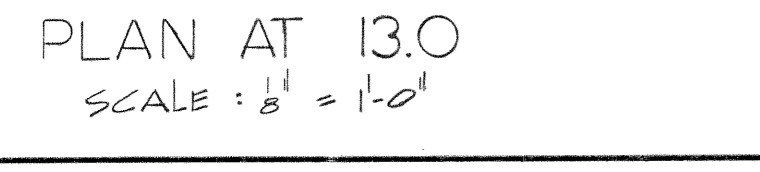
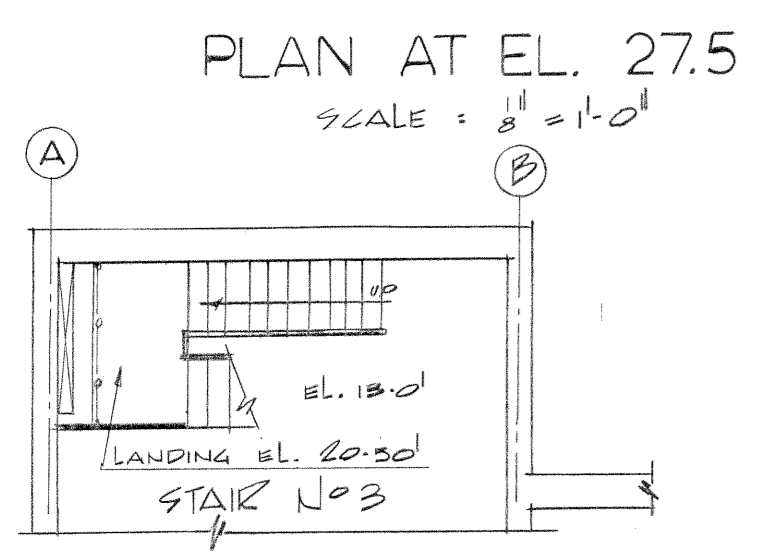
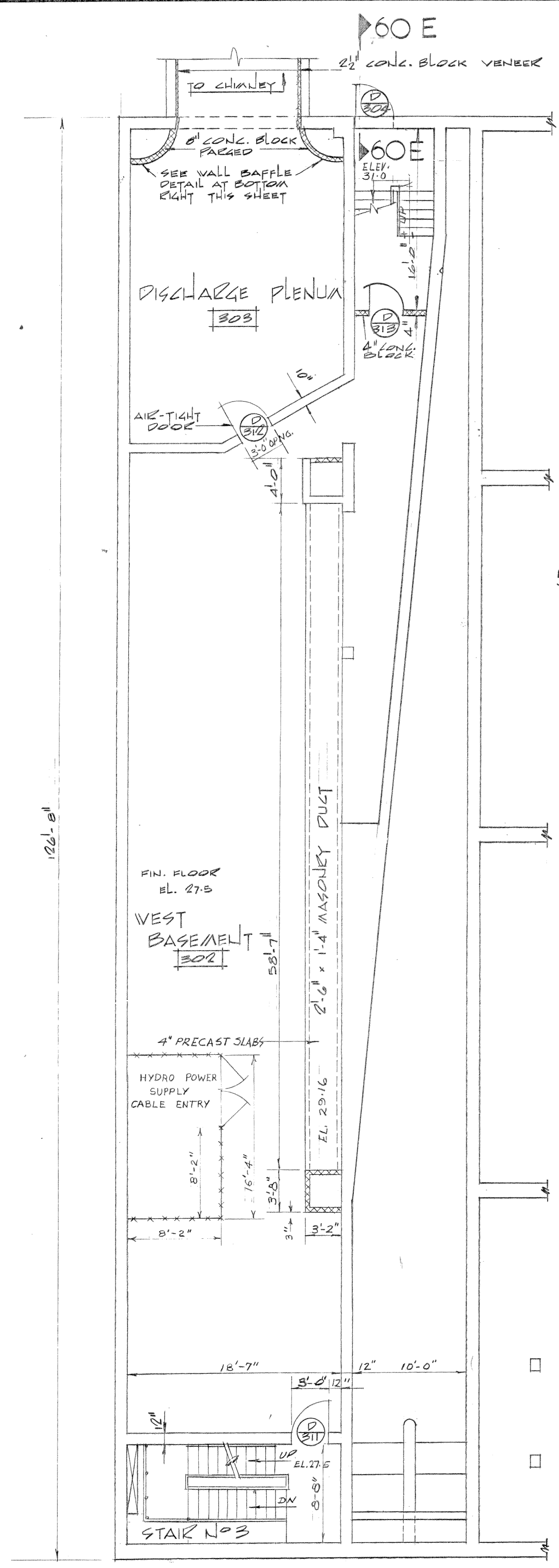
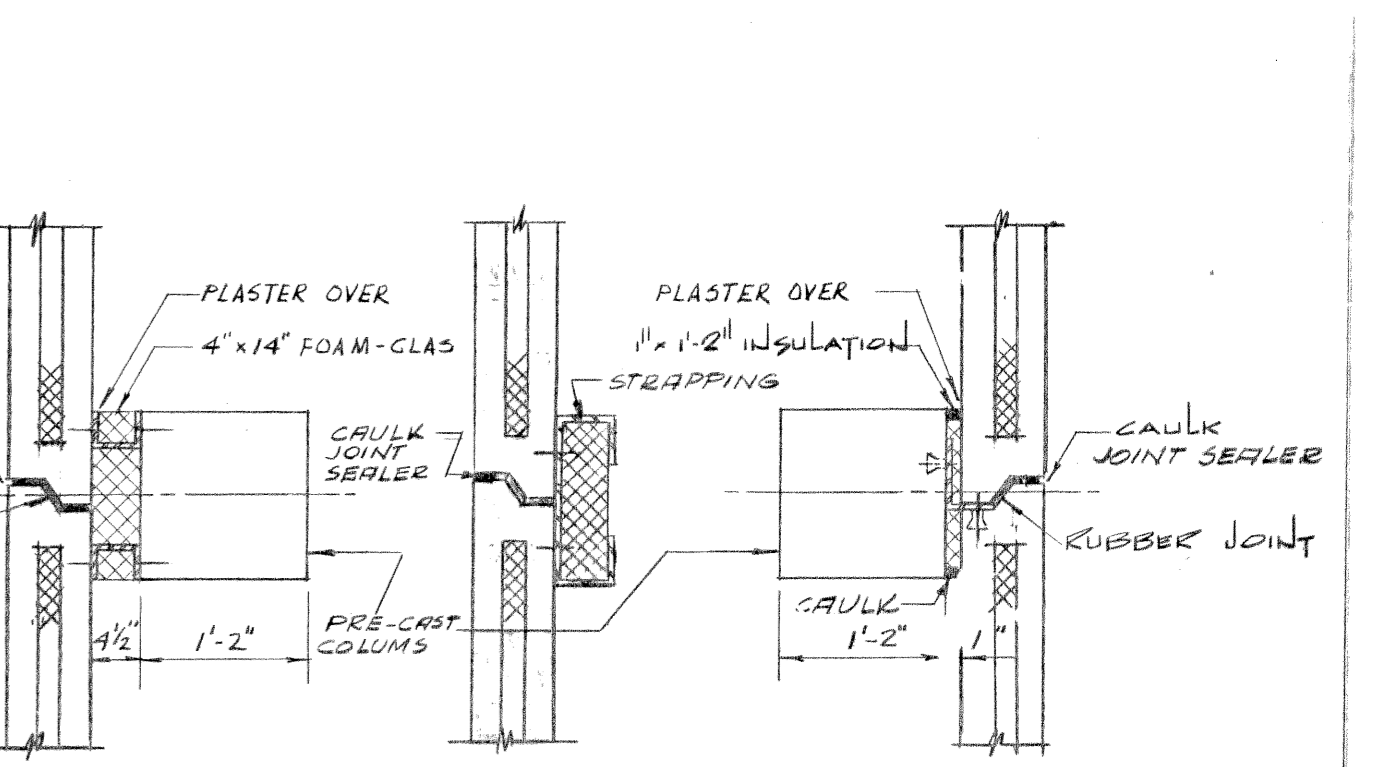


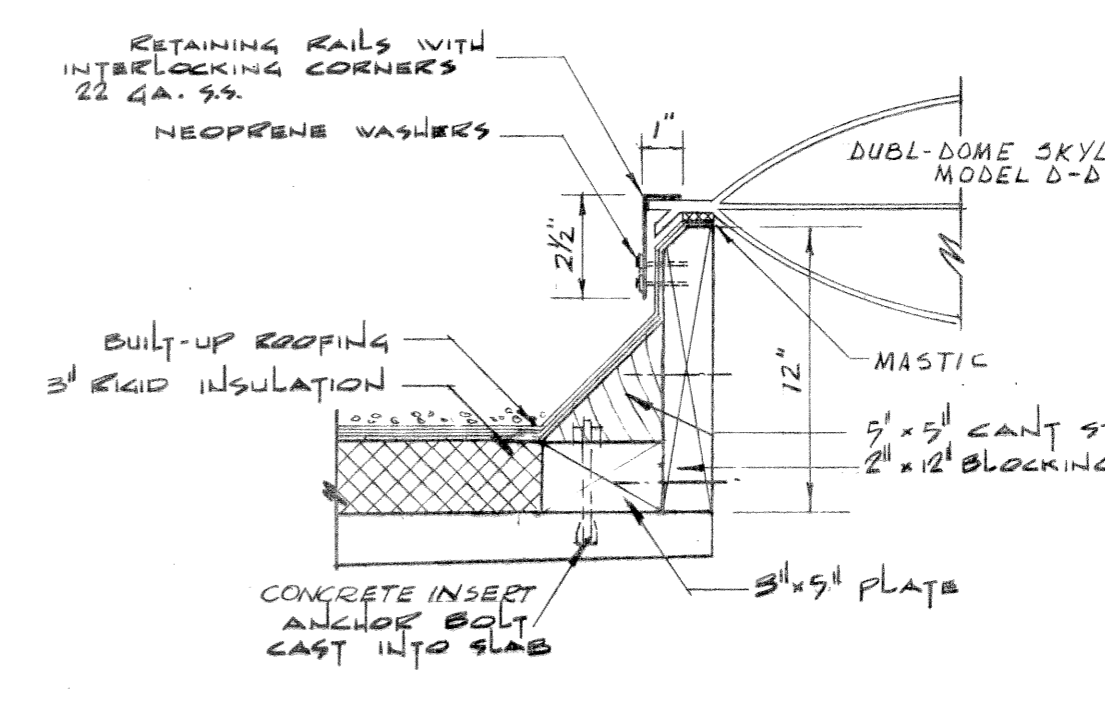
MICROFILMED



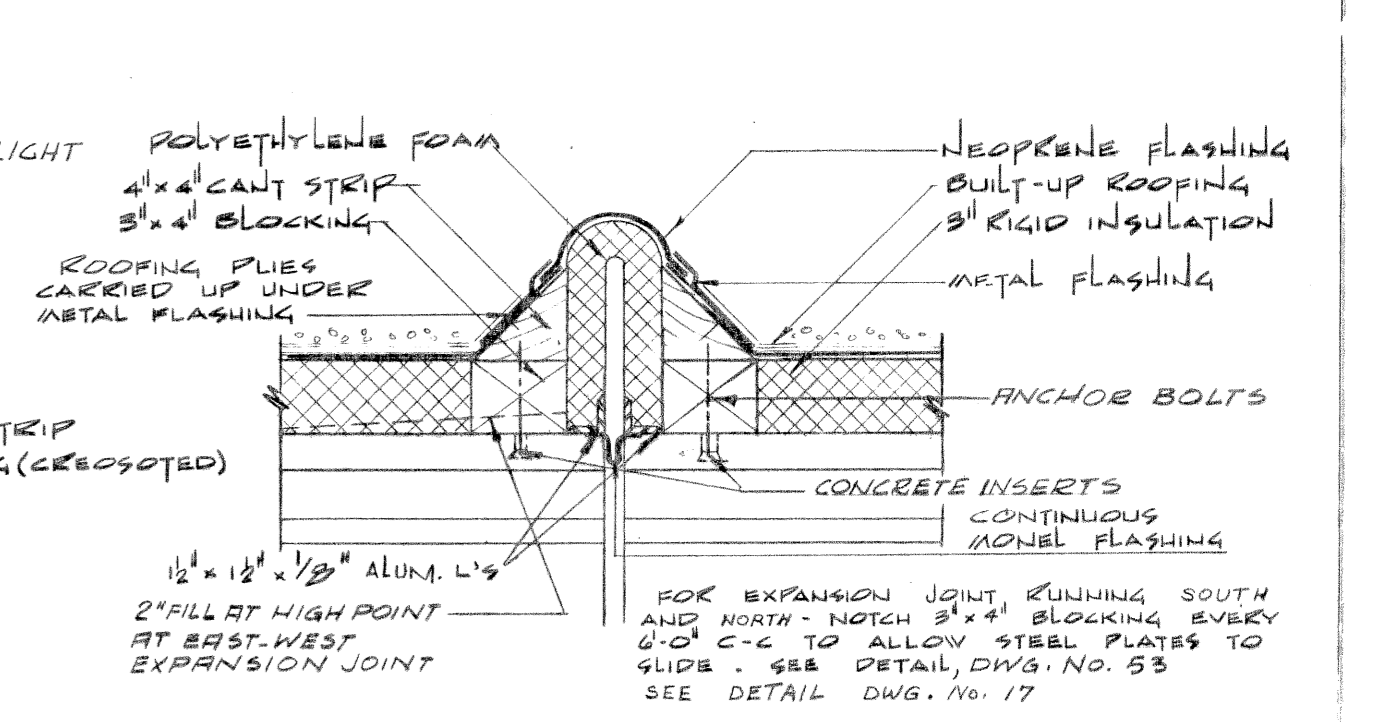
DETAIL 58A
SCALE 3/4" = 1'-0"



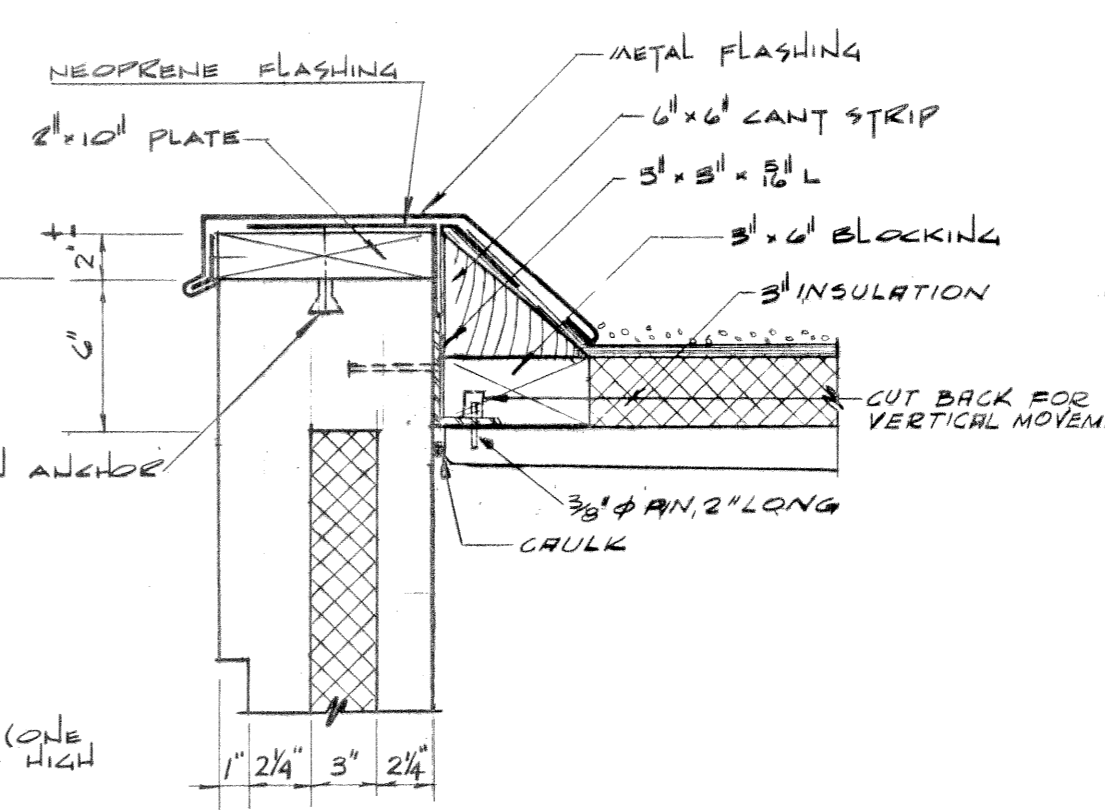
DETAIL 58B SCALE 3/4" = 1'-0"
DETAIL 58E SCALE 3/4" = 1'-0"
DETAIL 58C SCALE 3/4" = 1'-0"



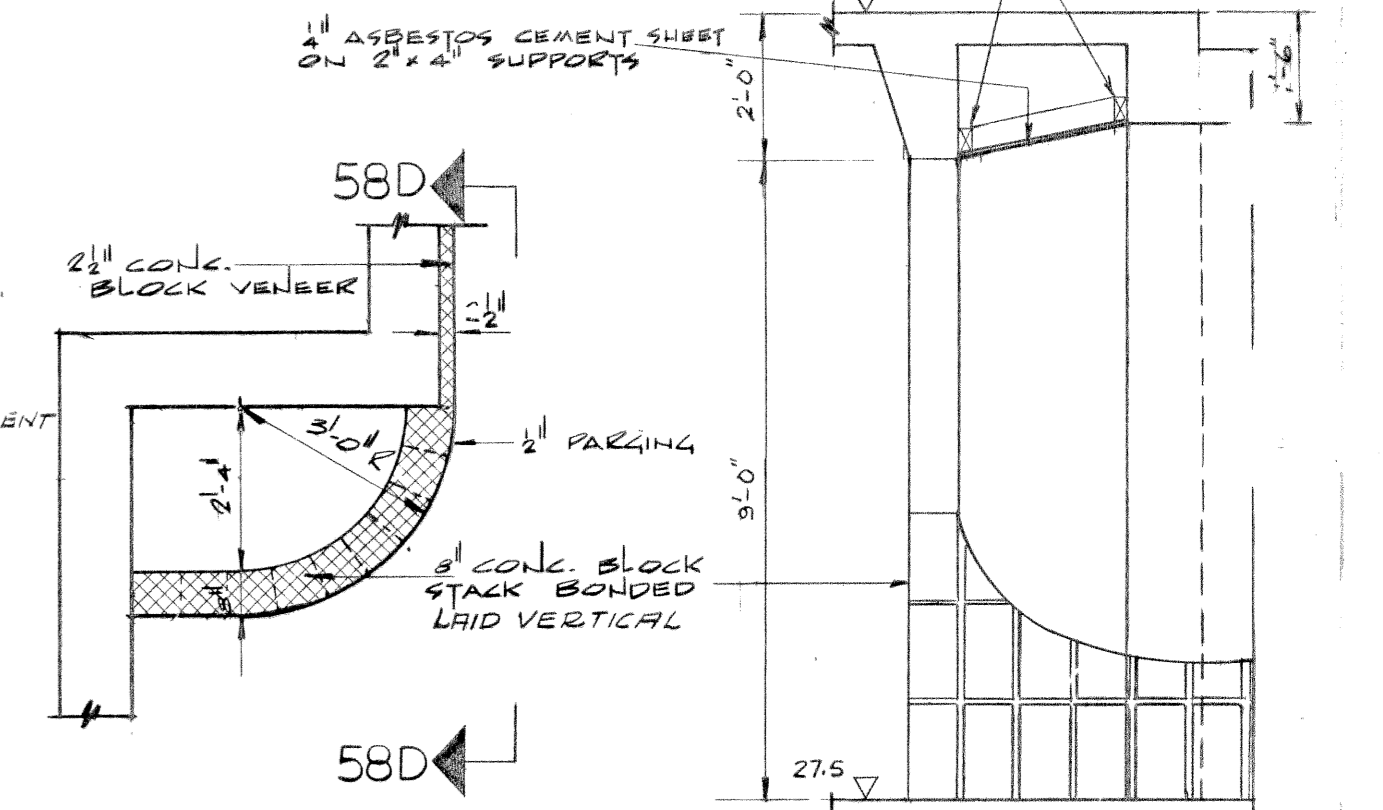
DETAIL OF SKY-DOME
SCALE 1/2" = 1'-0"



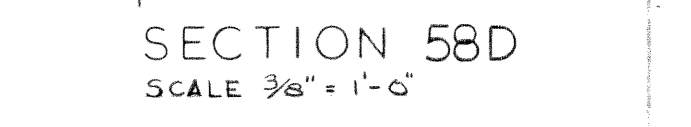
DETAIL OF ROOF EXPANSION JOINT
SCALE 1/2" = 1'-0"



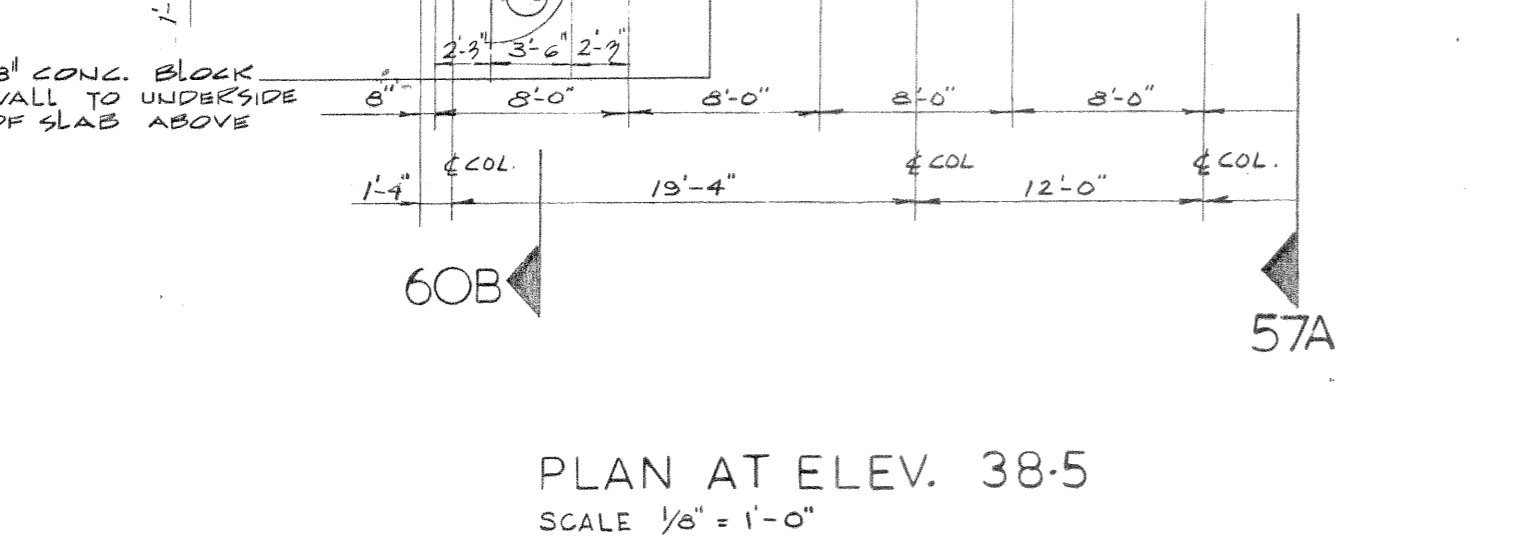
TYPICAL ROOFING DETAIL
SCALE 1/2" = 1'-0"



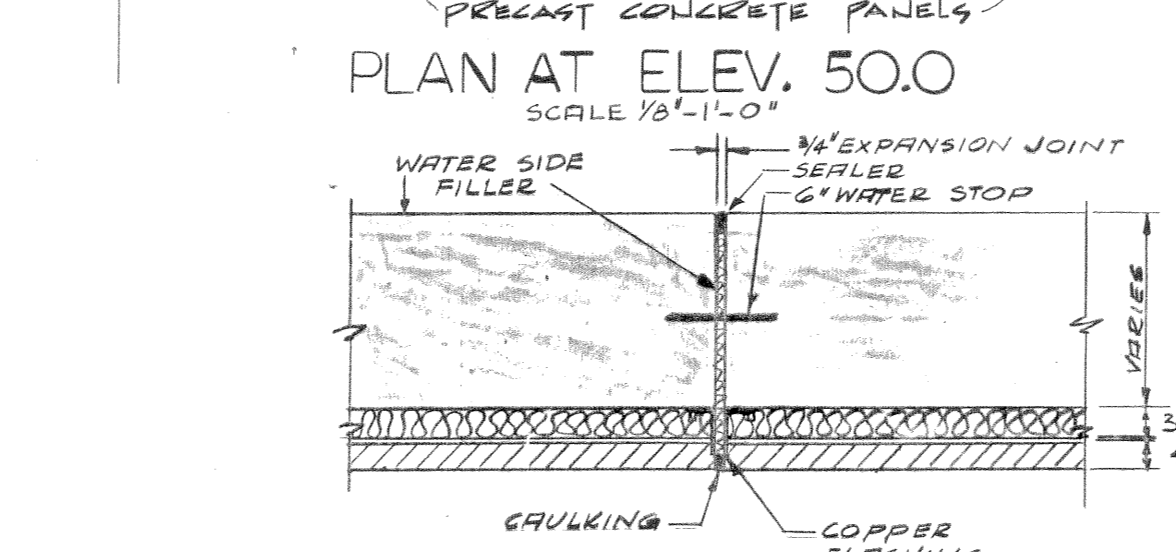
PLAN OF WALL BAFFLES
SCALE 3/8" = 1'-0"



SECTION 58D
SCALE 3/8" = 1'-0"

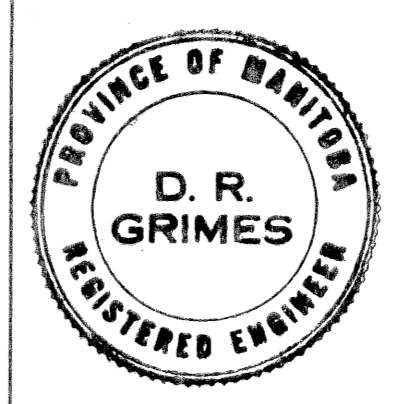
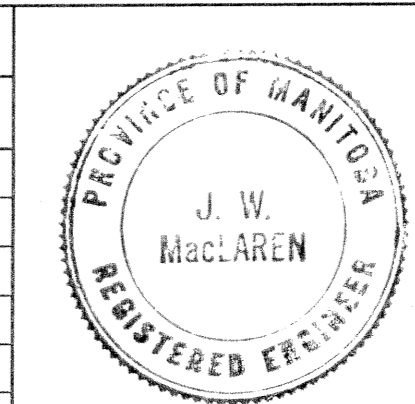


PLAN AT ELEV. 38.5
SCALE 1/8" = 1'-0"



SECTION THROUGH EXPANSION JOINT
SCALE 1/2" = 1'-0"

REVISIONS		
No.	DATE	DETAIL



THE METROPOLITAN CORPORATION OF GREATER WINNIPEG
WATERWORKS AND WASTE DISPOSAL DIVISION

NORTH END SEWAGE TREATMENT PLANT

CONTRACT A - GRIT REMOVAL BUILDING SUPERSTRUCTURE WEST END FLOOR PLANS & DETAILS

APPROVED: *J. W. MacLaren*
ENGINEER OF DESIGN

APPROVED: *D. R. Grimes*
ENGINEER OF WASTE DISPOSAL

APPROVED: *W. L. Wardrop*
ENGINEERING CONSULTANTS WINNIPEG

DATE: MARCH 11, 1963
SCALE: AS SHOWN
DWG. No. 58 OF 217

NEP-58

NEP-0058