

© David Wagner Associates Inc. All rights reserved. All drawings are conceptual in nature. It is to be clearly understood that the author, in producing said drawings, shall not be liable for any and all loss, damage or injury that may result from the drawings themselves, or from the construction work produced from this plan, or from any claims that may result subsequent to the project being constructed and use commencing on the site, whether such claims are brought by persons using the site, or by the owners or others of neighbouring properties.

Should any claim be made directly against the author as a result of the drawings themselves, or as a result of the way in which the project is constructed in accordance with these drawings, or as a result of any loss, injury or damage that may be caused either on the site or outside the boundaries of the property or persons, the author is to be indemnified by the Owners in full, including the costs of defending any actions brought against the author, or the costs of paying any settlement entered into by the author, or settling any judgments made against the author.

No reproductions may be made without the permission of the Landscape Architect and when made, must bear his / her name. Any and all designs herein are the ϕ property of the Landscape Architect. If stamped and dated, the designs herein are licensed for construction, once only. All prints to be returned to the Landscape Architect on request.

This drawing shall not be used for building purposes until countersigned by the Landscape Architect.

The contractor shall check all dimensions and other data on site and report any discrepancies to the Landscape Architect.

Figured dimensions to be taken in preference to scaled dimensions.

If in doubt please ask.

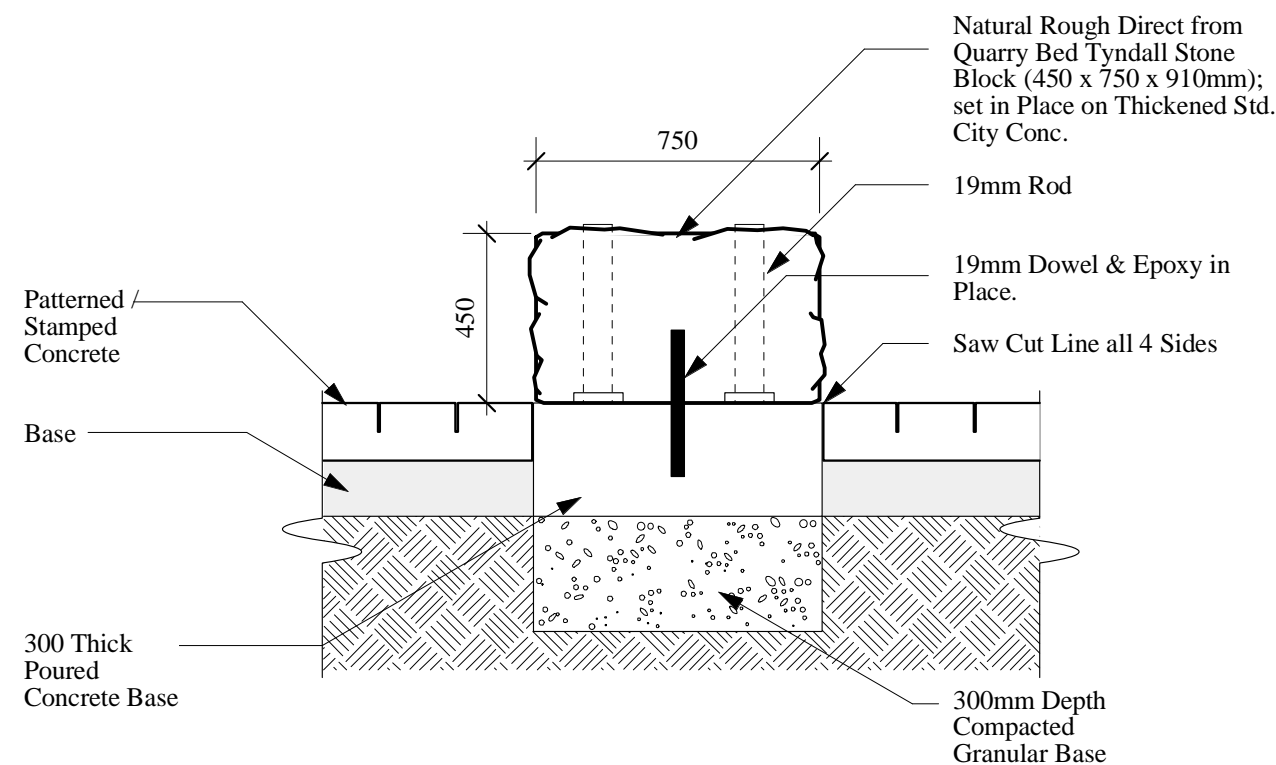
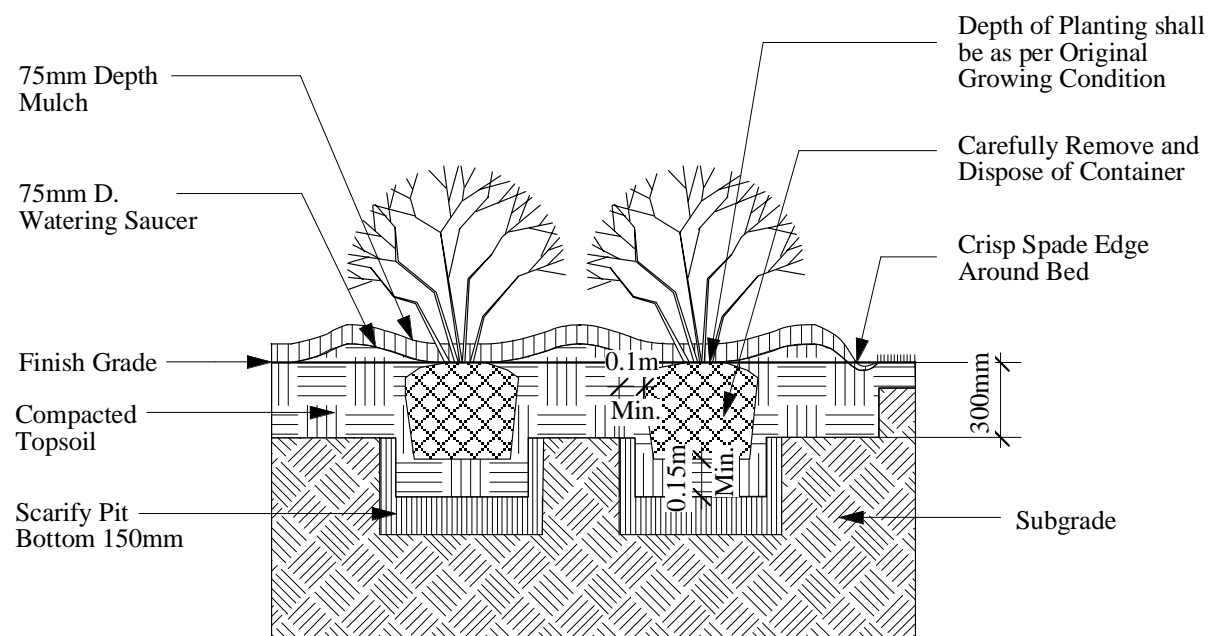
DATE ISSUED
12 August 2004

LOCATION OF UNDERGROUND STRUCTURES AS SHOWN ARE BASED ON THE BEST INFORMATION AVAILABLE BUT NO GUARANTEE IS GIVEN THAT ALL EXISTING UTILITIES ARE SHOWN OR THAT THE GIVEN LOCATIONS ARE EXACT. CONFIRMATION OF EXISTENCE AND EXACT LOCATION OF ALL SERVICES MUST BE OBTAINED FROM THE INDIVIDUAL UTILITIES BEFORE PROCEEDING WITH CONSTRUCTION.

NOTE: DO NOT SCALE - DRAWING PLOT MAY NOT BE AT 100%

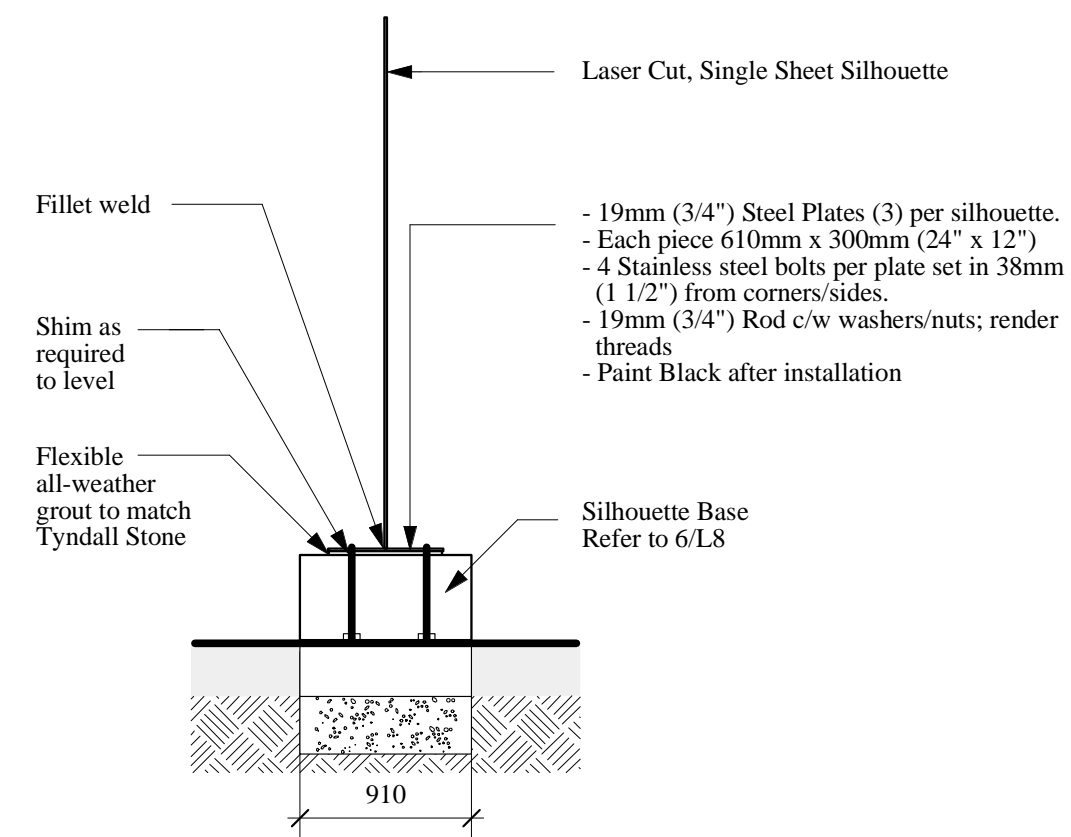
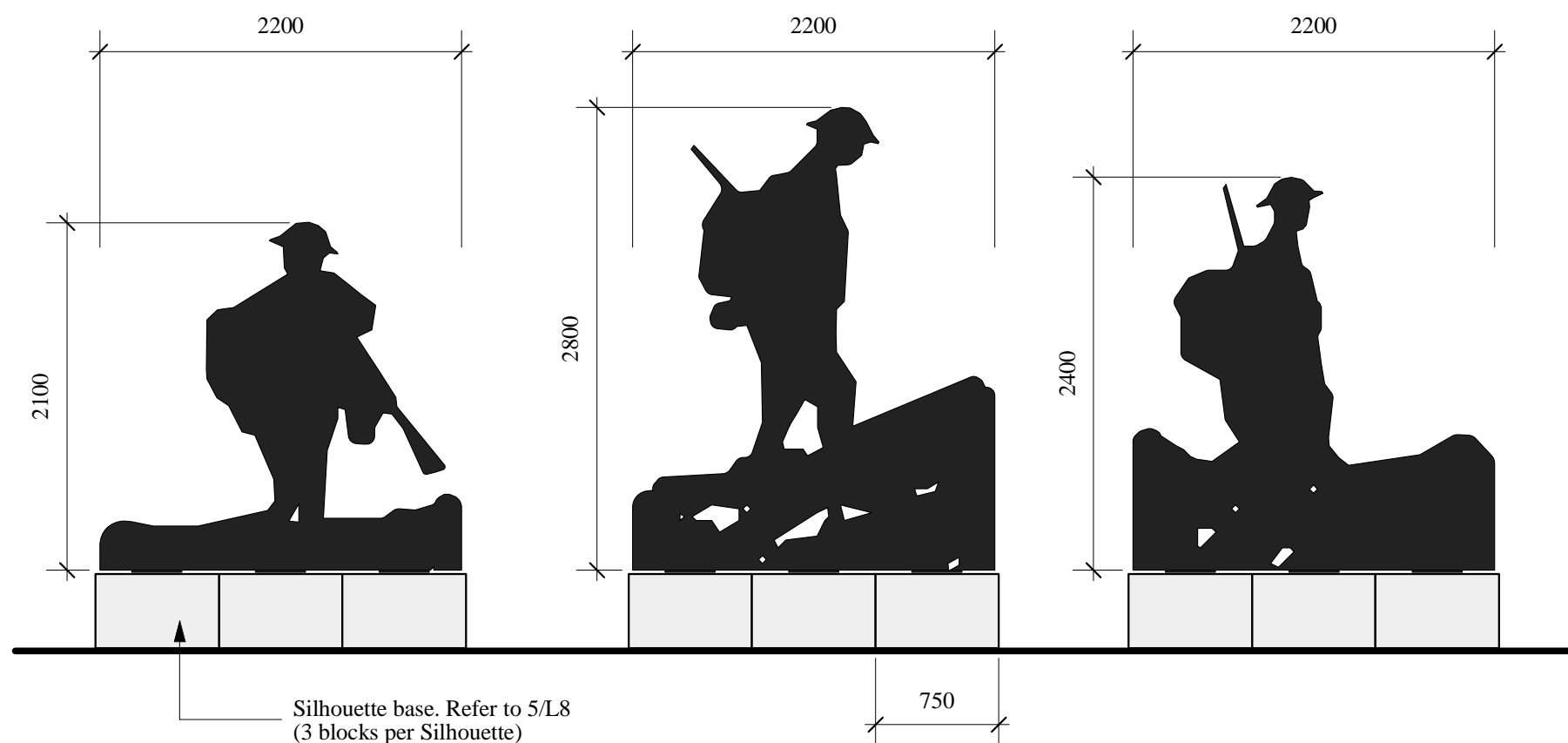
1 Deciduous Tree Planting Detail
L8 Scale 1:30

2 Coniferous Tree Planting Detail
L8 Scale 1:30



3 Deciduous Shrub in Bed Detail
L8 Scale 1:30

6 Silhouette Base Detail
L8 Scale 1:20



4 Soldier Silhouette Elevation
L8 Scale 1:40

5 Silhouette Section
L8 Scale 1:40



Manager Parks and Open Space Division
Released For Construction Date

| | |
|---------------------------|----------------|
| North | |
| | |
| Project | |
| Valour Road Streetscaping | |
| Winnipeg, Manitoba | |
| Sheet Title | |
| Transit Loop Park Details | |
| Drawn | DW / MM |
| Date | 12 August 2004 |
| Job No. | 0405-6 |
| Approved | |
| Scale | Various |
| Drawing No. | L8 |