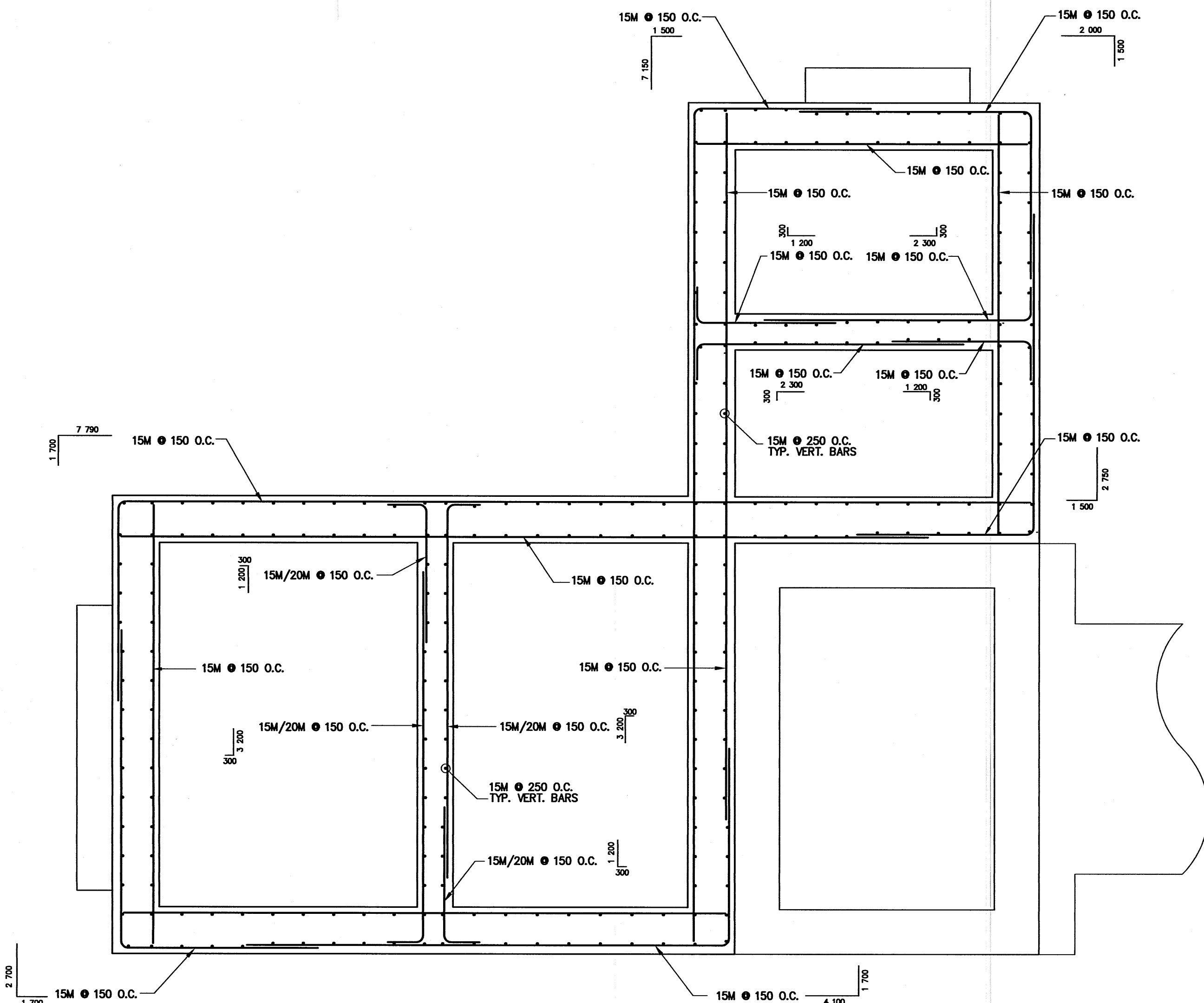
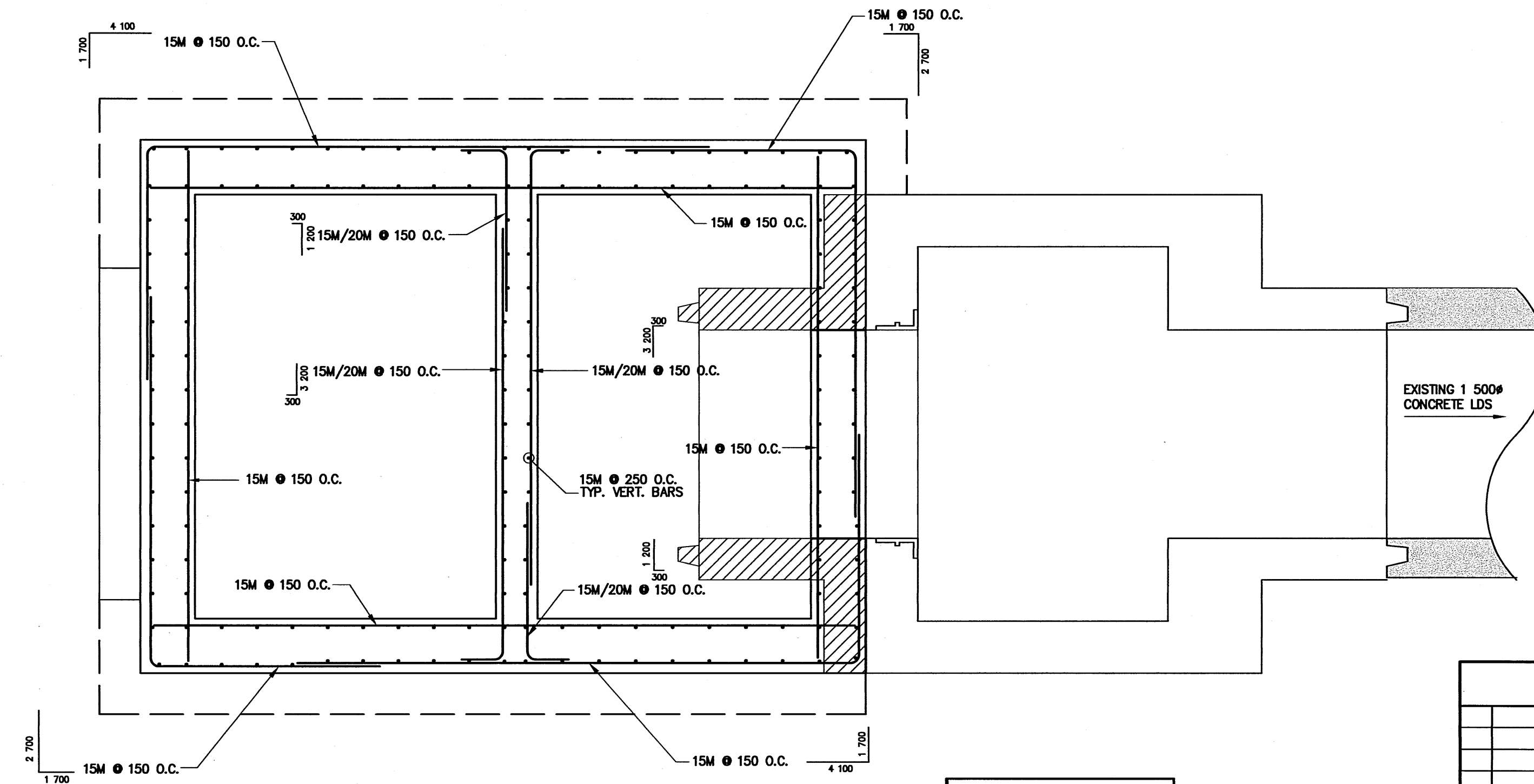


ROOF SLAB REINFORCING PLAN
1:30



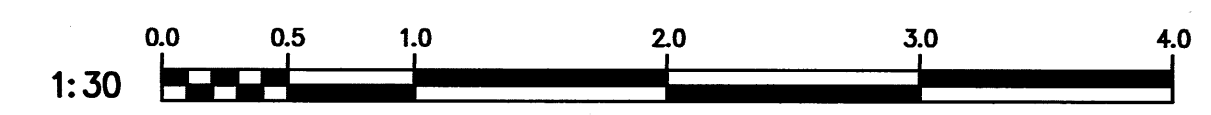
SECTION B-S3
1:30



SECTION A-S3
1:30

APECM
Certificate of Authorization
ND LEA Engineers & Planners Inc.
No. 2728 Expiry: April 30, 2005

NOTE:
These design documents are prepared solely for the use by the party with whom the design professional has entered into a contract and there are no representations of any kind made by the design professional to any party with whom the design professional has not entered into a contract.



A = DETAIL/SECTION No.
B = DRAWING WHERE SHOWN
C = DRAWING WHERE TAKEN

METRIC
WHOLE NUMBERS INDICATE MILLIMETRES
DECIMALIZED NUMBERS INDICATE METRES

Aug 24, 2004 - 3:31pm
P:\41333 - 41333 V1.S33 2004 Outfall Gate Chamber Upgrades\Drawings\Notes Drawings\WIP\Rice Road\41333 04 S3 Reinforcing.dwg - tab:Layout1

ND LEA Engineers & Planners Inc. Suite 111-93 Lombard Avenue Winnipeg, Manitoba R3B 3B1 Phone (204) 943-3178 Facsimile (204) 943-4948			THE CITY OF WINNIPEG WATER AND WASTE DEPARTMENT 		CONSULTANT DRAWING NUMBER 41333 04 S3
DESIGNED BY: EH DRAWN BY: RCS HOR. SCALE: AS SHOWN VERTICAL: VERTICAL	CHECKED BY: MH APPROVED BY: [Signature] RELEASED FOR CONSTRUCTION: [Signature]		2004 OUTFALL GATE CHAMBER UPGRADES RICE ROAD LDS OUTFALL GATE CHAMBER MODIFICATION REINFORCING LAYOUT 1/2	SHEET 7 OF 12 CITY DRAWING NUMBER LD-3040	
NO. REVISIONS DATE BY		BID OPPORTUNITY 416-2004 PLOT DATE: 04 08 23			