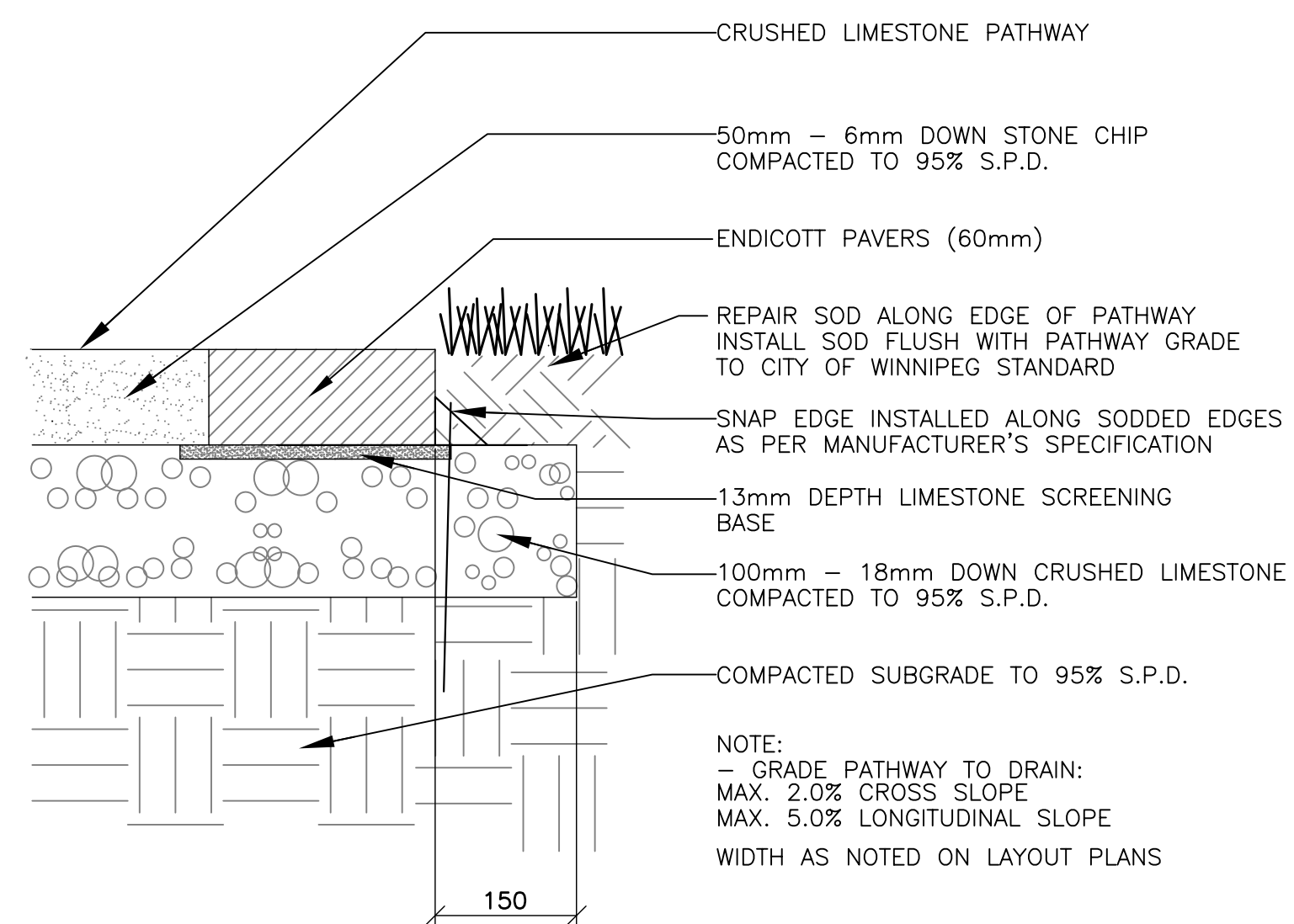
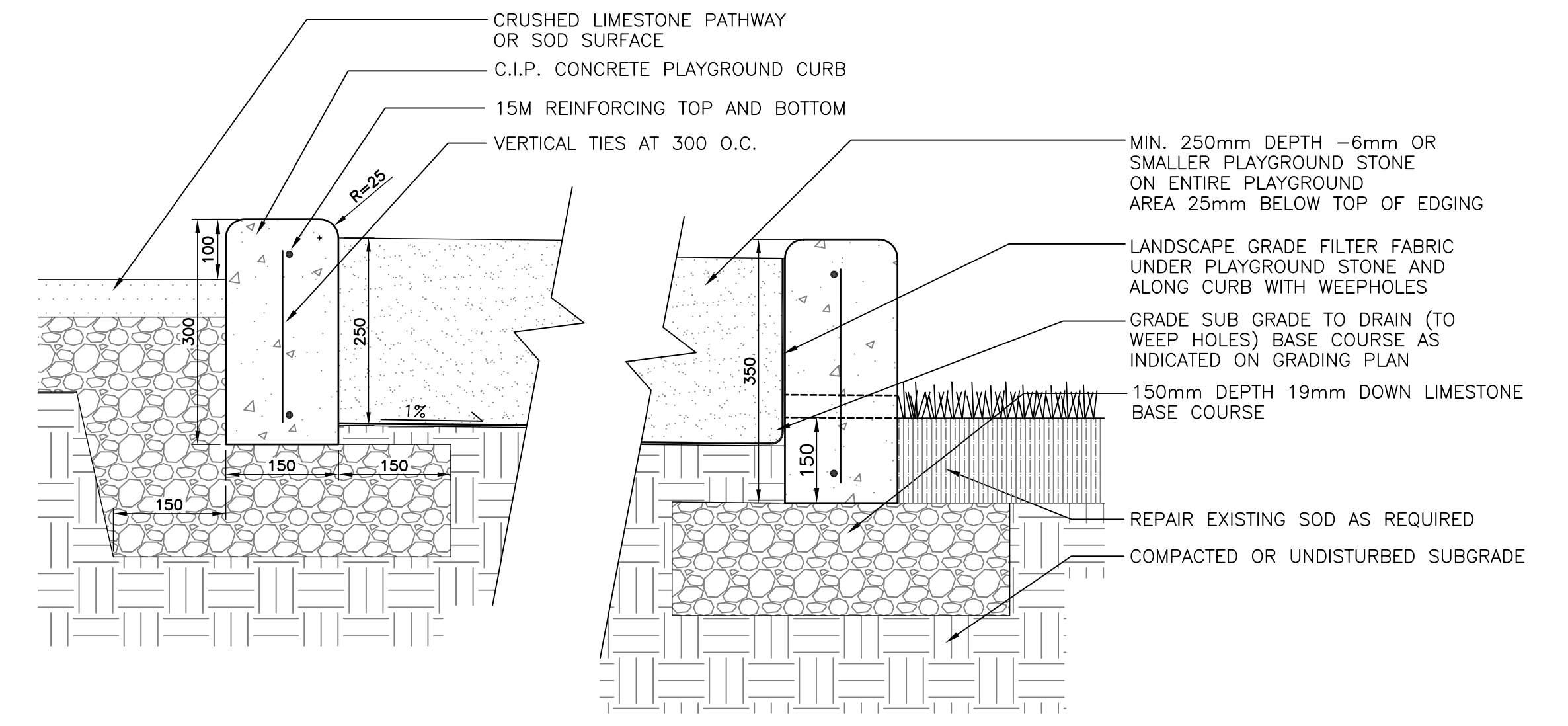


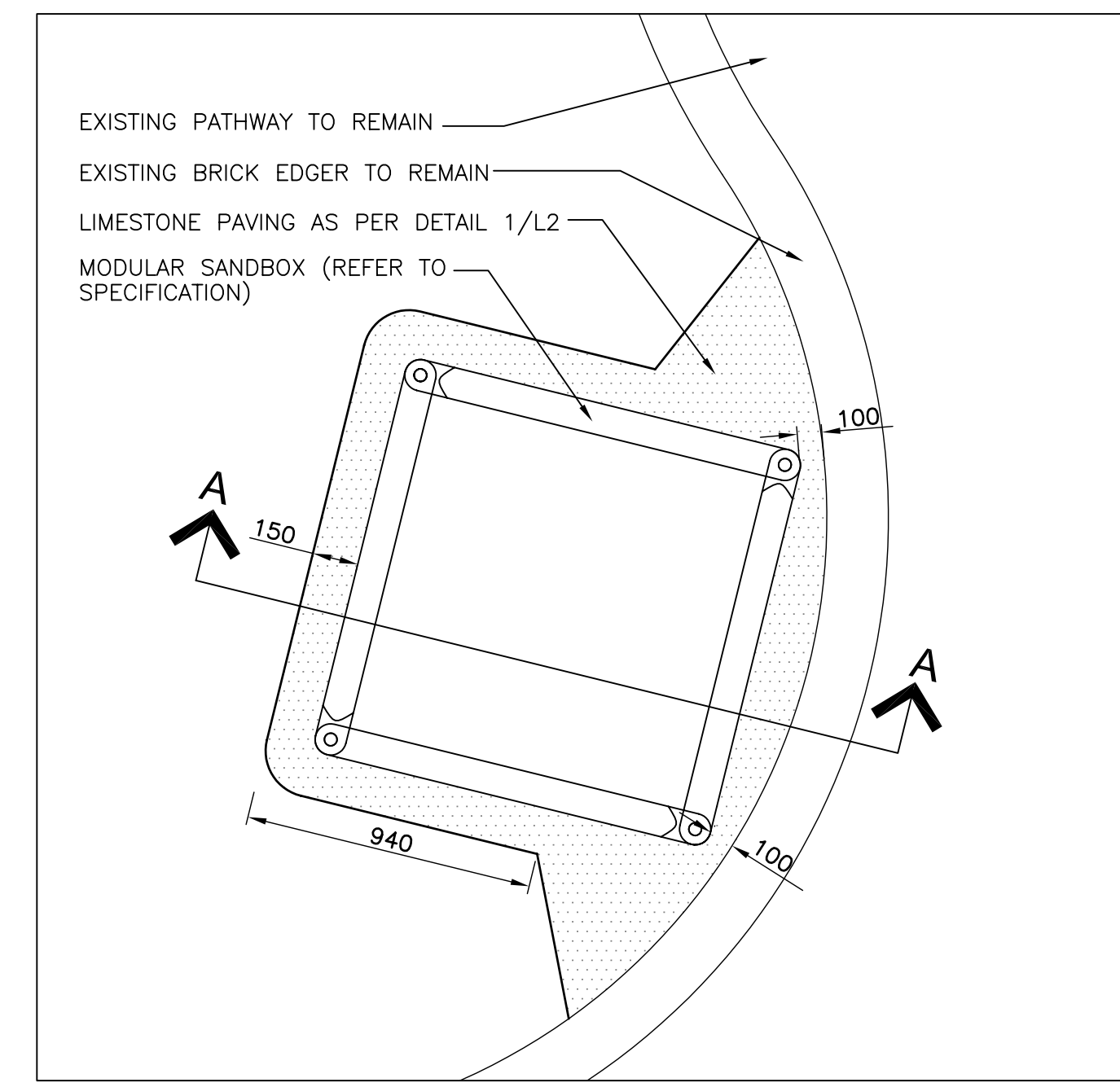
1 LIMESTONE PATH WITH ENDICOTT BRICK EDGE
L1 N.T.S.



2 SNAP EDGE AND ENDICOTT BRICK EDGER
L1 N.T.S.

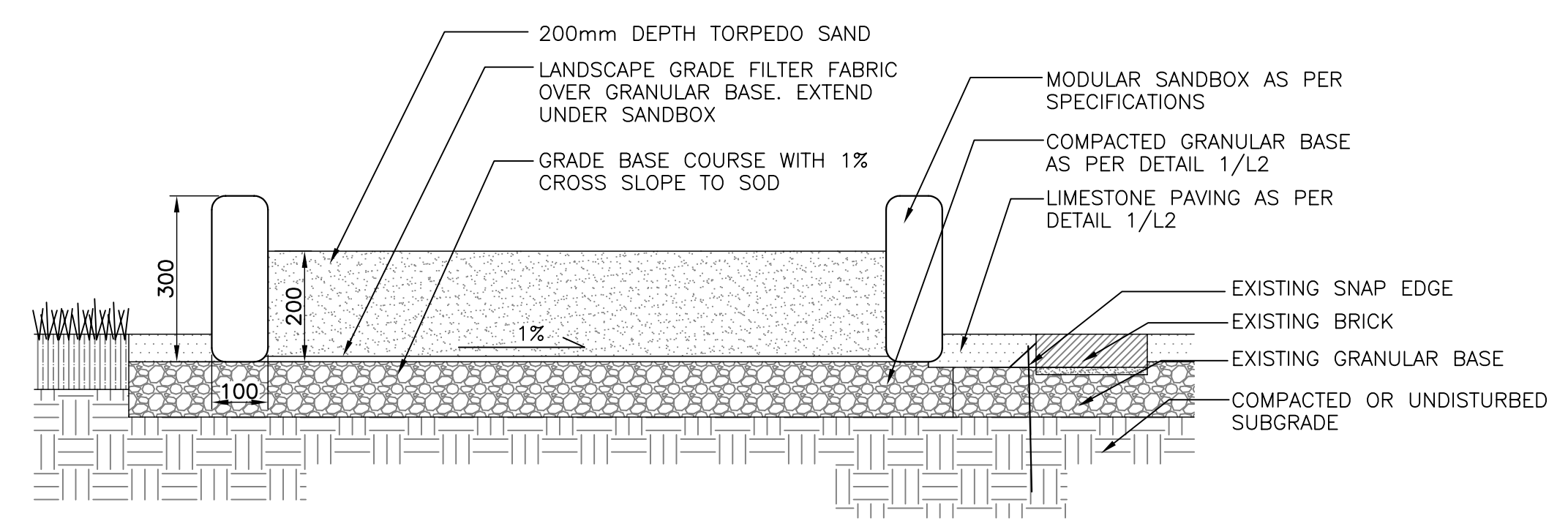


3 C.I.P. CONCRETE LANDSCAPE CURB
L1 N.T.S.

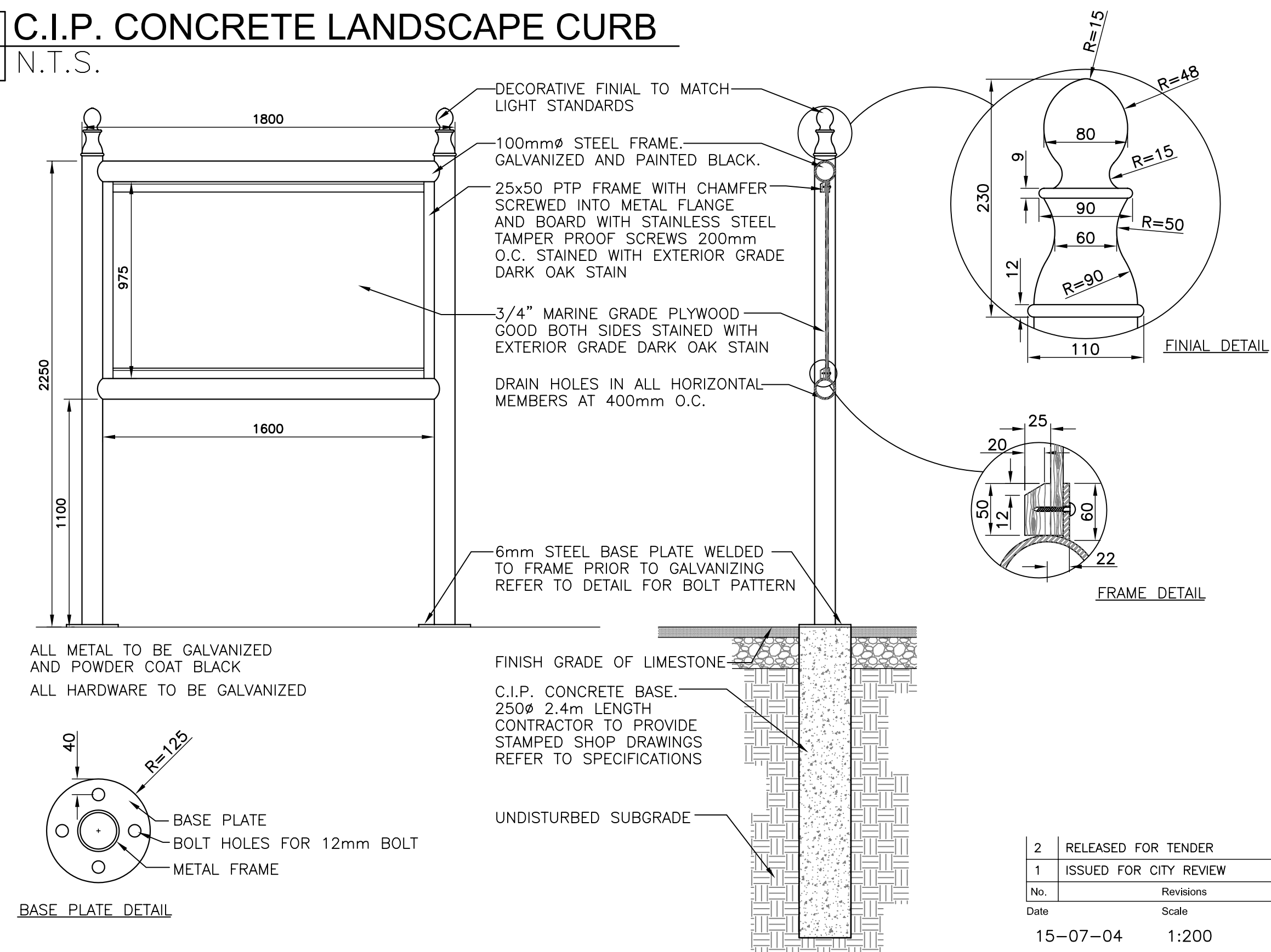


PLAN

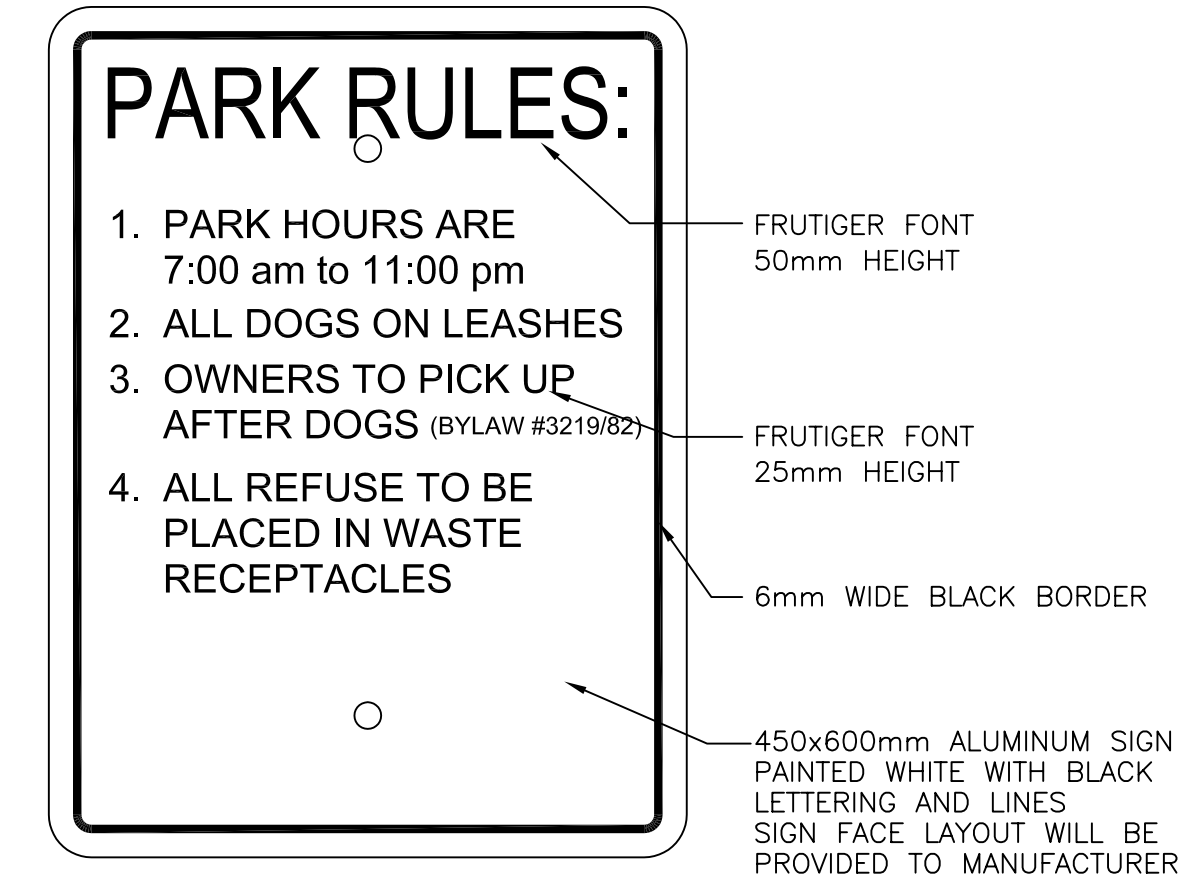
4 SANDBOX
L1 N.T.S.



SECTION A-A



5 COMMUNITY INFORMATION BOARD
L1 N.T.S.



6 PARK RULES SIGN
L1 N.T.S.

2	RELEASED FOR TENDER	11/08/04	JW
1	ISSUED FOR CITY REVIEW	28/07/04	JW
No.	Revisions	Date	By
Date	Scale		
15-07-04	1:200		
Designed By	Drawn By	Checked By	
JW	JW/AH	JW	

McGOWAN RUSSELL
Client

CITY OF WINNIPEG
Project Title

McGOWAN PARK - PARK REDEVELOPMENT
Sheet Title

1	DETAIL KEY
L1	REFERENCE SHEET NUMBER