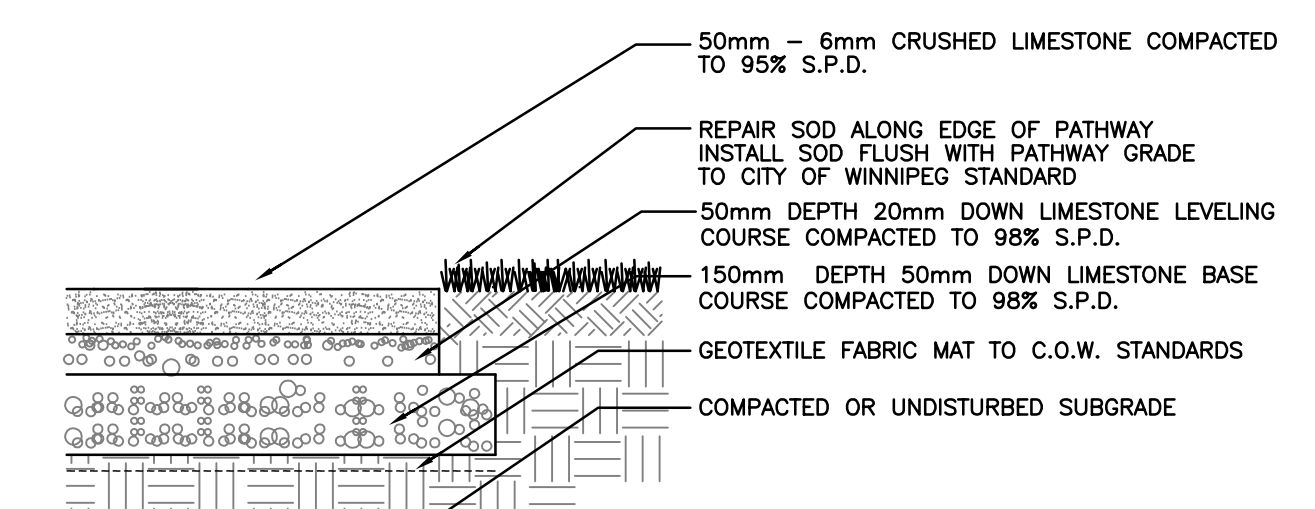
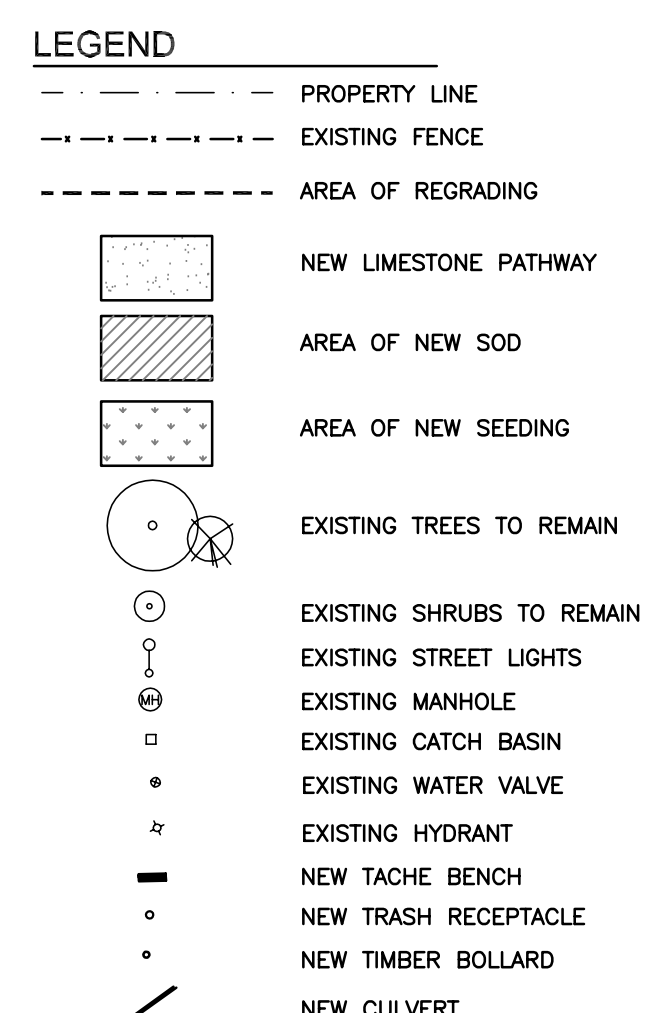
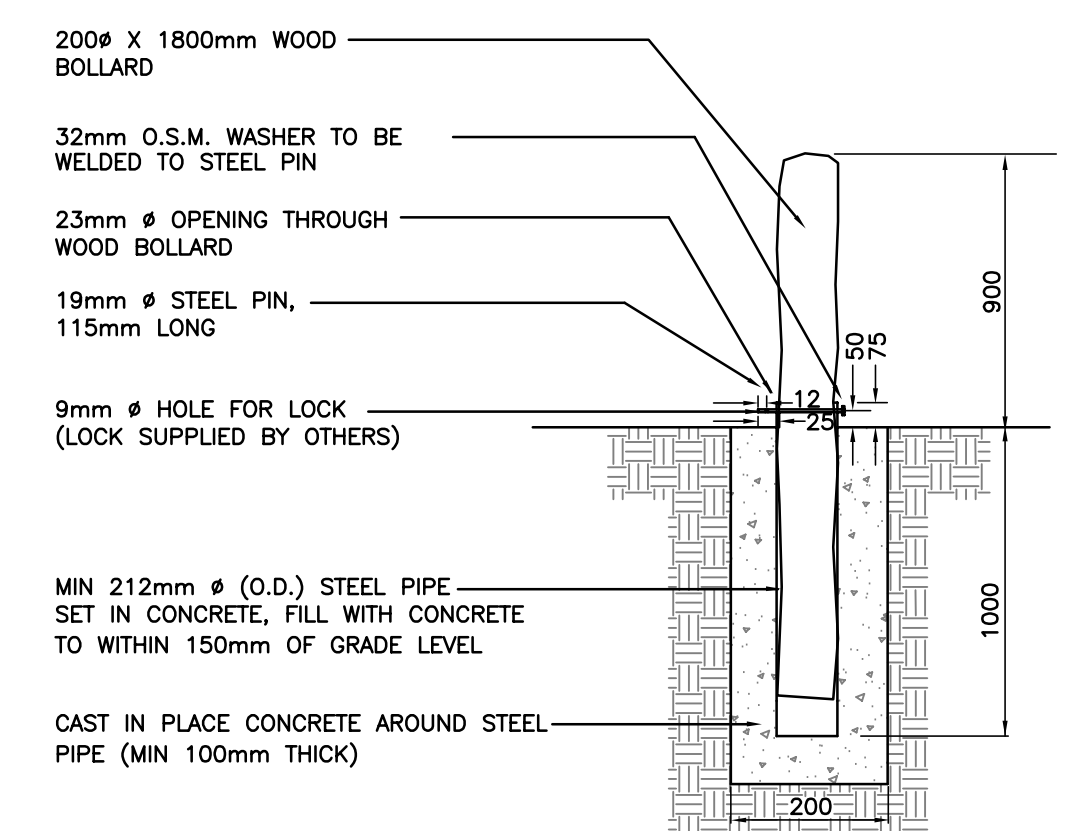
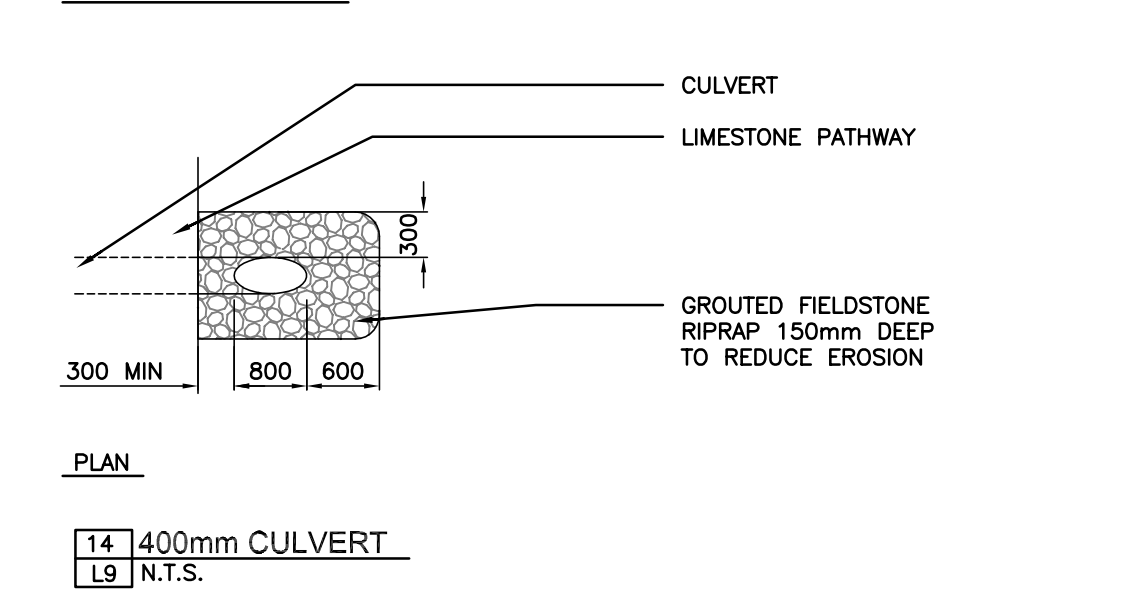
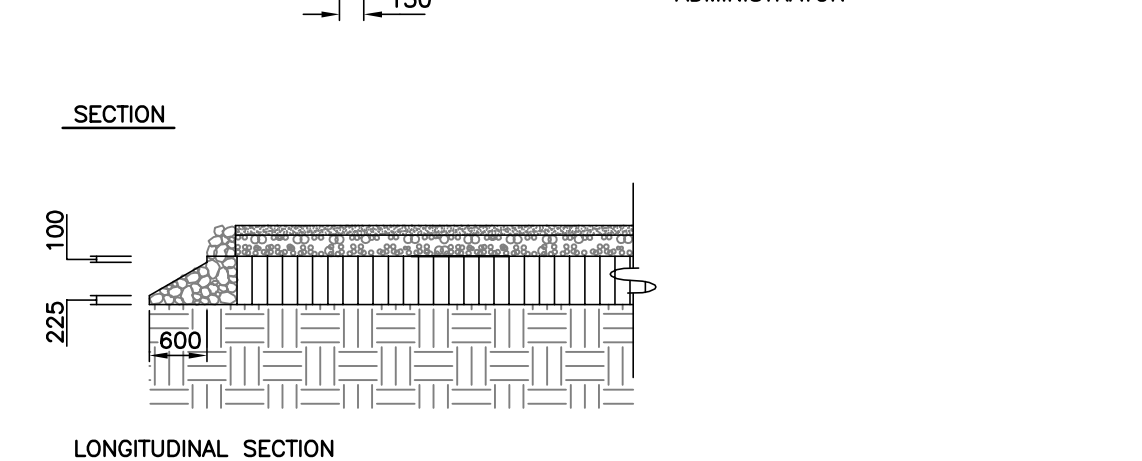
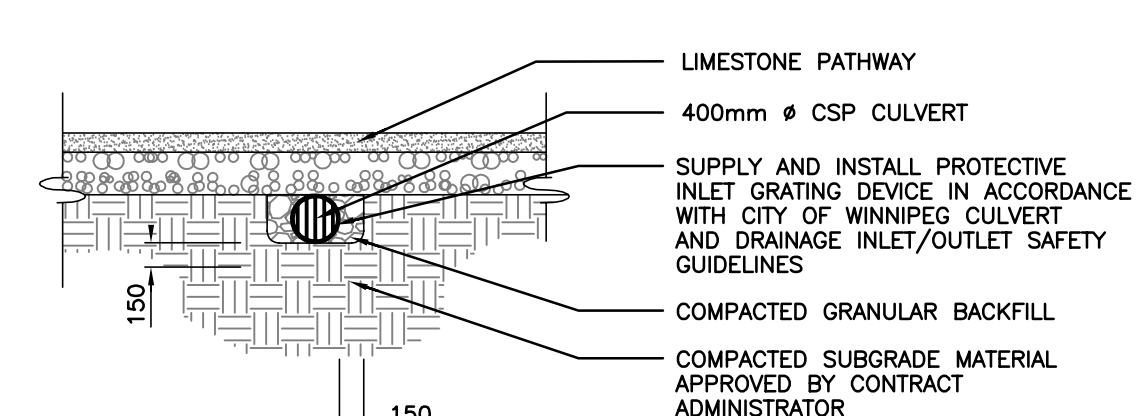
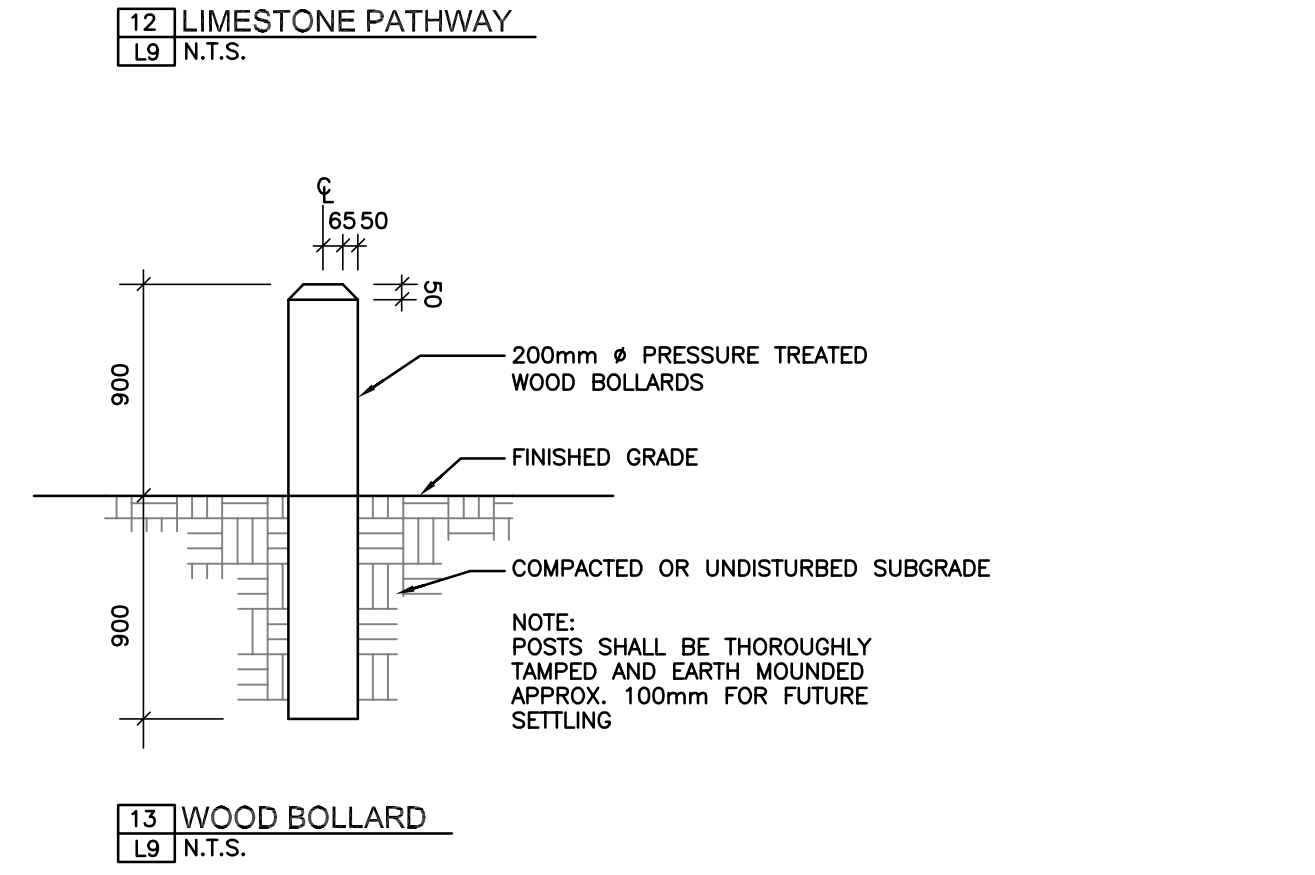


- NOTES**
- CONTRACTOR TO CONFIRM LOCATION OF ALL UTILITIES PRIOR TO CONSTRUCTION.
 - CONTRACTOR TO CONFIRM ALL DIMENSIONS AND REPORT ANY DISCREPANCIES TO CONTRACT ADMINISTRATOR PRIOR TO CONSTRUCTION.
 - LAYOUT TO BE APPROVED BY CONTRACT ADMINISTRATOR PRIOR TO ANY CONSTRUCTION, OR REMOVALS.
 - ALL DIMENSIONS ARE IN METRIC UNLESS OTHERWISE NOTED. DECIMAL NUMBERS INDICATE METERS.
 - REFER ALSO TO WRITTEN SPECIFICATIONS.
 - REFER TO SITE SERVICES PLAN (SS2) FOR LOCATION OF CATCH BASINS, MANHOLES AND LDS LEADS.
 - CONTRACTOR TO REPAIR ALL ON AND OFF SITE SODDED AREAS, TREES, CONCRETE, ROAD PAVING AND CURBS ETC., DAMAGED DURING CONSTRUCTION TO CONTRACT ADMINISTRATOR'S SATISFACTION AND TO THE CITY OF WINNIPEG STANDARDS AT HIS OWN COST.
 - CONSTRUCTION ACCESS TO BE LIMITED TO THE ROUTES SPECIFIED ON SITE BY CONTRACT ADMINISTRATOR.
 - REFER TO LAYOUT PLAN FOR LAYOUT OF ALL PATHWAYS, SODDED AREAS AND FENCING.
 - SUITABLE GRANULAR BASE COURSE MATERIAL TO BE SALVAGED AND RE-USED AS INSTRUCTED BY CONTRACT ADMINISTRATOR. REFER ALSO TO WRITTEN SPECIFICATIONS.
 - SUITABLE CLEAN EARTH FILL TO BE SALVAGED AND RE-USED AS INSTRUCTED BY CONTRACT ADMINISTRATOR. REFER TO WRITTEN SPECIFICATIONS.



NOTE:
 - GRADE PATHWAY TO DRAIN:
 MAX. 2% CROSS SLOPE
 MAX. 5% LONGITUDINAL SLOPE
 WIDTH AS NOTED ON LAYOUT PLANS



NOTE:
 MIN 212mm Ø (O.D.) STEEL PIPE
 SET IN CONCRETE, FILL WITH CONCRETE TO WITHIN 150mm OF GRADE LEVEL.
 CAST IN PLACE CONCRETE AROUND STEEL PIPE (MIN 100mm THICK)

2	ISSUED FOR TENDER	12/08/04	SR
1	ISSUED FOR DEVELOPMENT PERMIT	25/05/04	SR
No.	Revisions	Date	By
Date	Scale		
05-25-04	1:500		
Designed By	Drawn By	Checked By	
AH/SR	AH	SR	



McGOWAN RUSSELL
 Client
CITY OF WINNIPEG

Project Title
BURROWS CENTRAL PARK RENOVATION PROJECT

Sheet Title
SGT. TOMMY PRINCE MM VETERANS PARK LAYOUT PLAN

Project No. 04-012 Drawing No. L9

