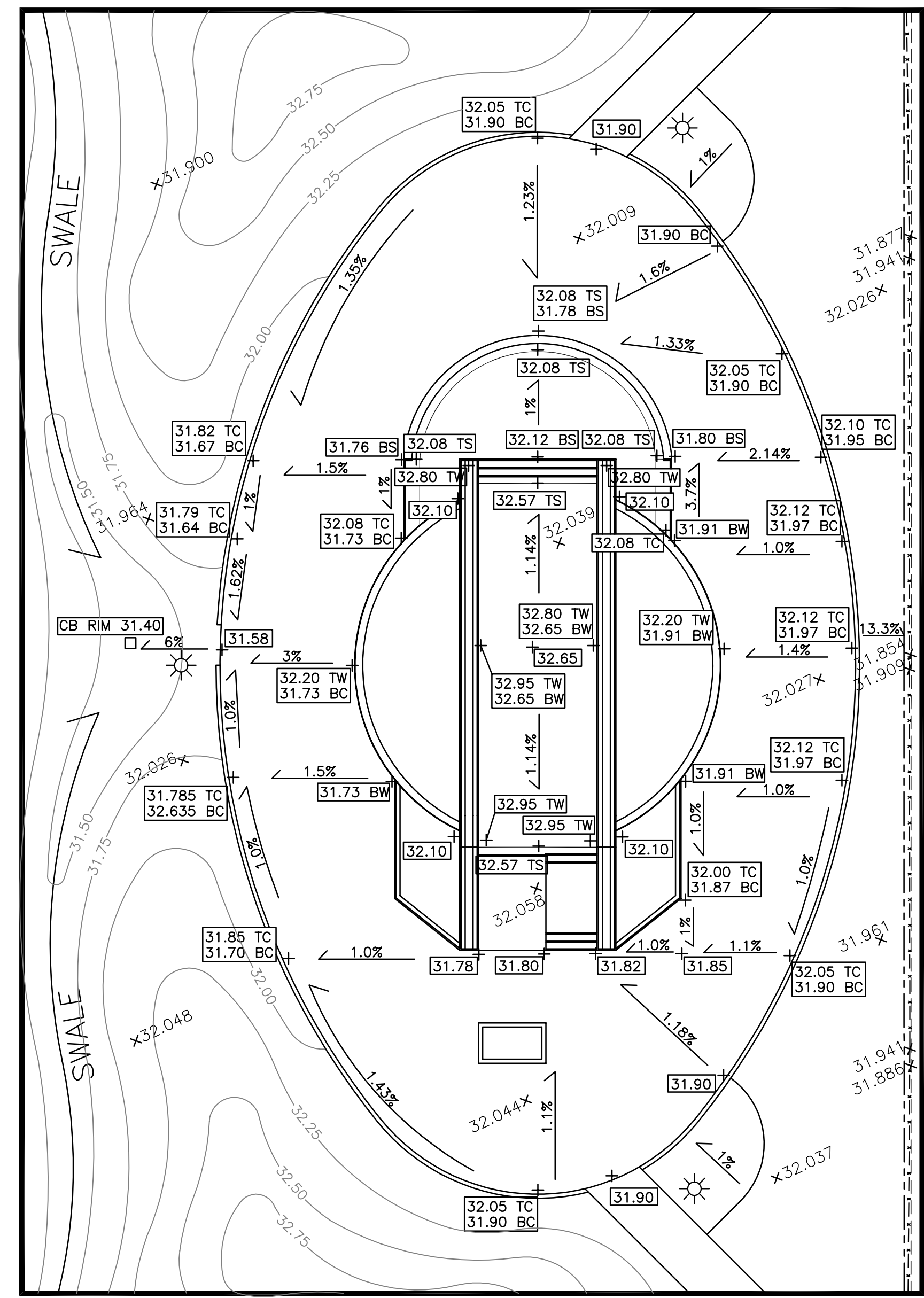


ENLARGEMENT 1
SCALE: 1:150

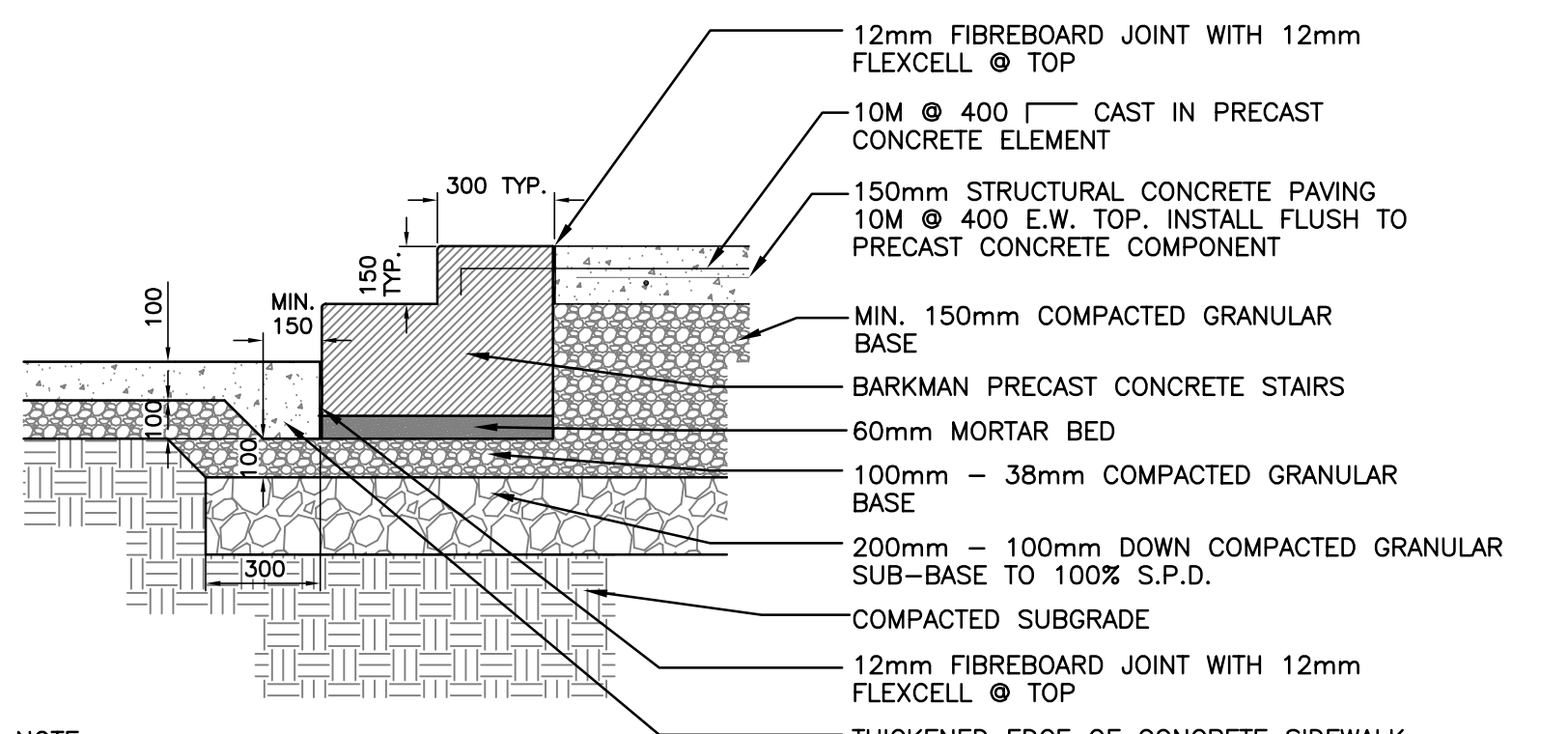
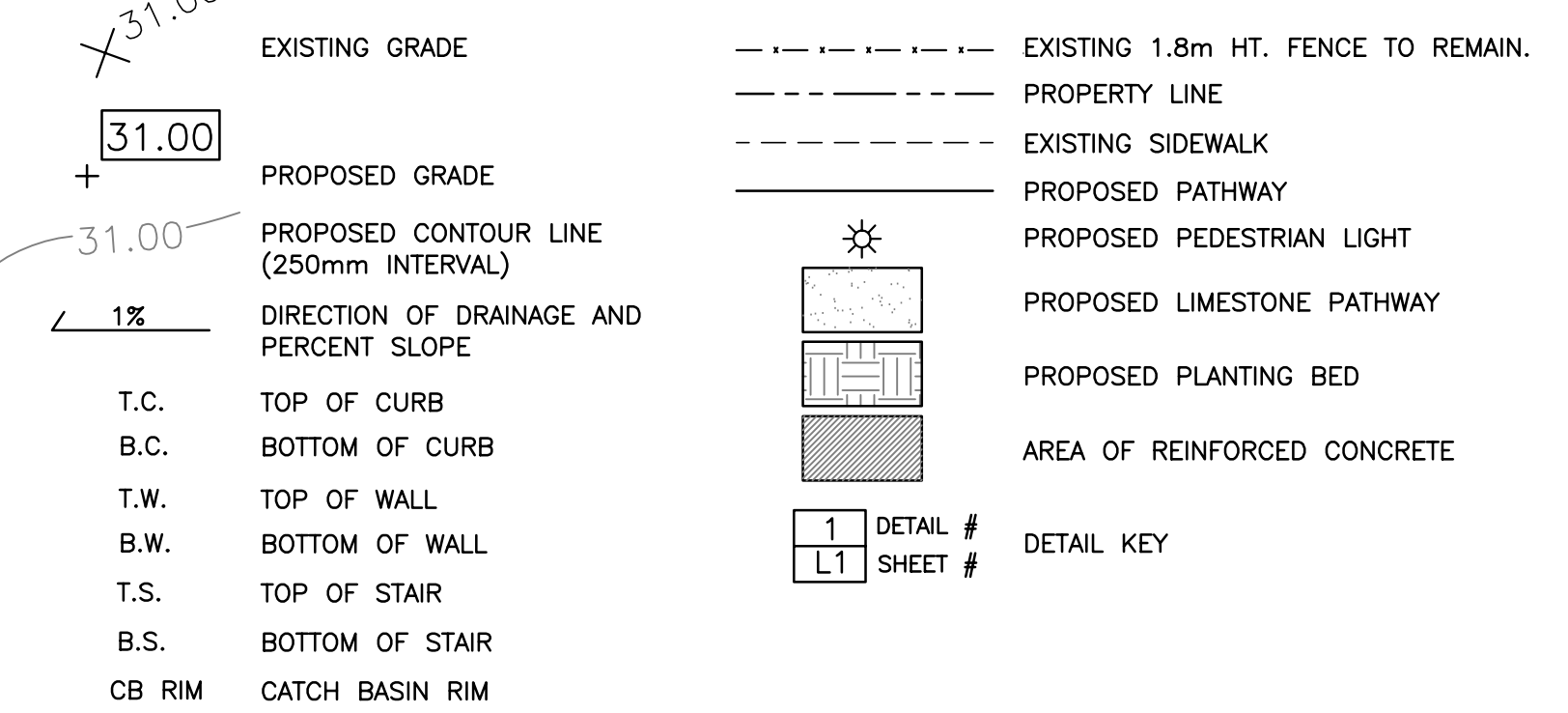


ENLARGEMENT 2
SCALE: 1:150

GENERAL NOTES

- CONTRACTOR TO LOCATE ALL UNDERGROUND UTILITIES PRIOR TO CONSTRUCTION.
- CONTRACTOR TO CONFIRM ALL DIMENSIONS ON SITE AND REPORT ANY DISCREPANCIES TO THE CONTRACT ADMINISTRATOR PRIOR TO CONSTRUCTION.
- LAYOUT TO BE APPROVED BY CONTRACT ADMINISTRATOR PRIOR TO ANY CONSTRUCTION OR REMOVALS.
- CONSTRUCTION ACCESS TO BE LIMITED TO THE ROUTES SPECIFIED ON SITE BY CONTRACT ADMINISTRATOR.
- ALL DIMENSIONS ARE IN METRIC UNLESS OTHERWISE NOTED. DECIMAL NUMBERS INDICATE METERS.
- REFER ALSO TO WRITTEN SPECIFICATIONS.
- IF POWER EQUIPMENT IS TO BE USED FOR EXCAVATION ON THIS PROJECT THE CONTRACTOR MUST:
 - NOTIFY ALL UTILITIES OF THE PROPOSED
 - TAKE PRECAUTION TO AVOID DAMAGE TO ALL UTILITIES.

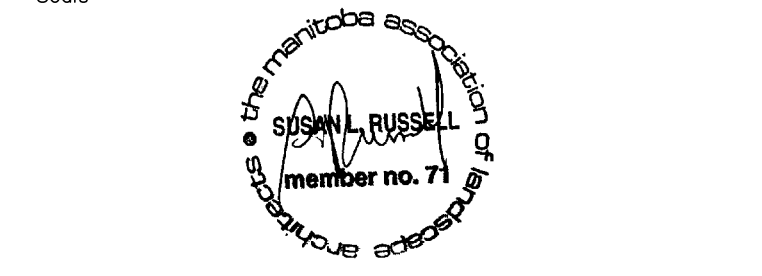
LEGEND



NOTE:
-ALL BASE TO BE COMPACTED TO 100% S.P.D.
-COMPACT ALL BASES IN 150mm LIFTS WHERE BASE EXCEEDS 150mm AS PER CITY OF WINNIPEG SPECIFICATIONS

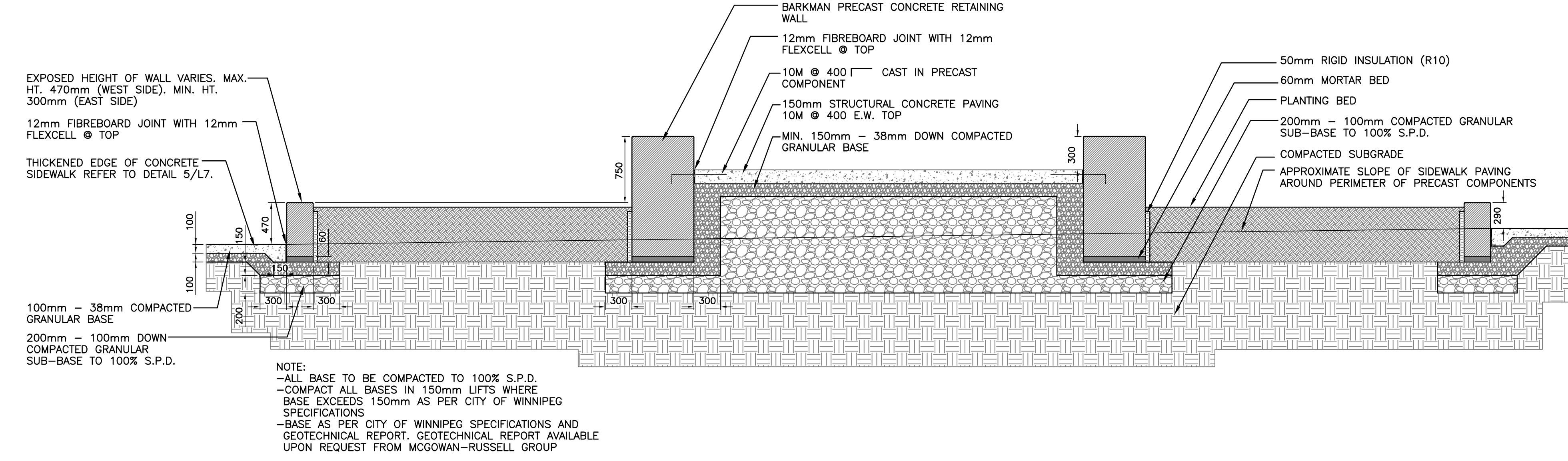
16 PRECAST CONCRETE STAIRS
L14 N.T.S.

No.	Revisions	Date	By
2	ISSUED FOR TENDER	12/08/04	SR
1	ISSUED FOR CITY REVIEW	28/07/04	SR
Date _____ Scale _____			
11-08-04 AS NOTED			
Designed By	Drawn By	Checked By	
AH/SR	AH	SR	



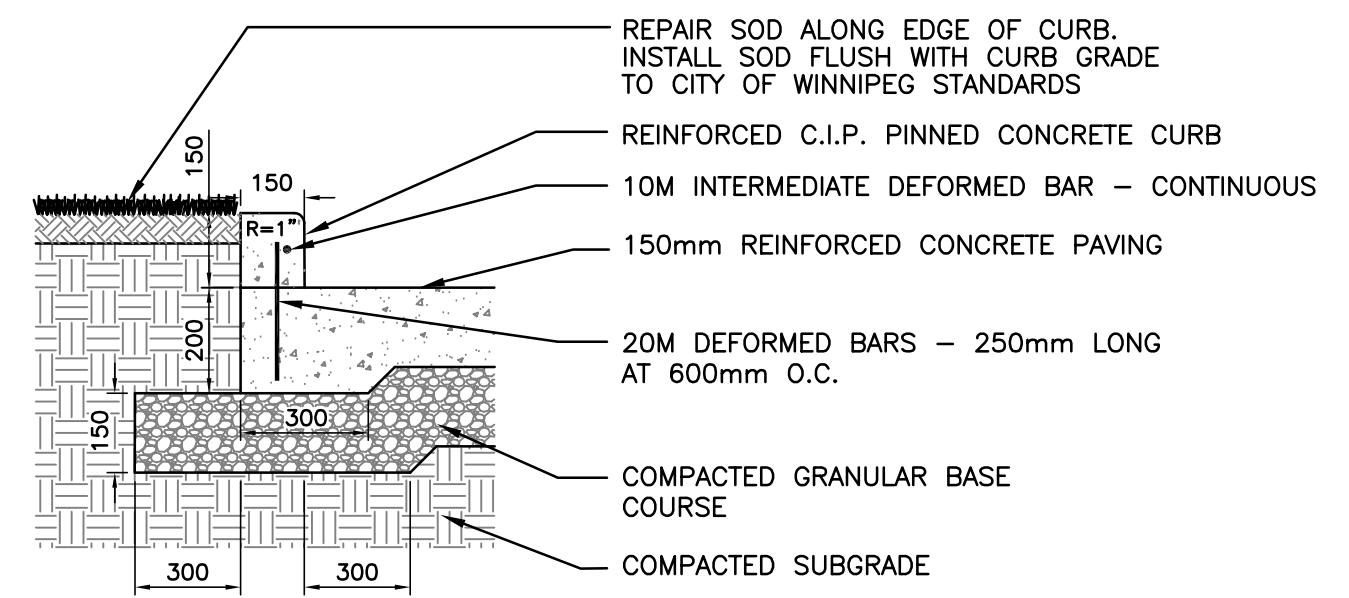
CITY OF WINNIPEG
Project Title
BURROWS CENTRAL PARK RENOVATION PROJECTS

Sheet Title
MARGARET SCOTT PARK PLAZA ENLARGEMENTS
Project No. 04-012 Drawing No. L14



NOTE:
-ALL BASE TO BE COMPACTED TO 100% S.P.D.
-COMPACT ALL BASES IN 150mm LIFTS WHERE BASE EXCEEDS 150mm AS PER CITY OF WINNIPEG SPECIFICATIONS
-BASE AS PER CITY OF WINNIPEG SPECIFICATIONS AND GEOTECHNICAL REPORT, GEOTECHNICAL REPORT AVAILABLE UPON REQUEST FROM MCGOWAN-RUSSELL GROUP

17 PRECAST CONCRETE RETAINING WALLS
L14 N.T.S.



18 PINNED CONCRETE CURB
L14 N.T.S.