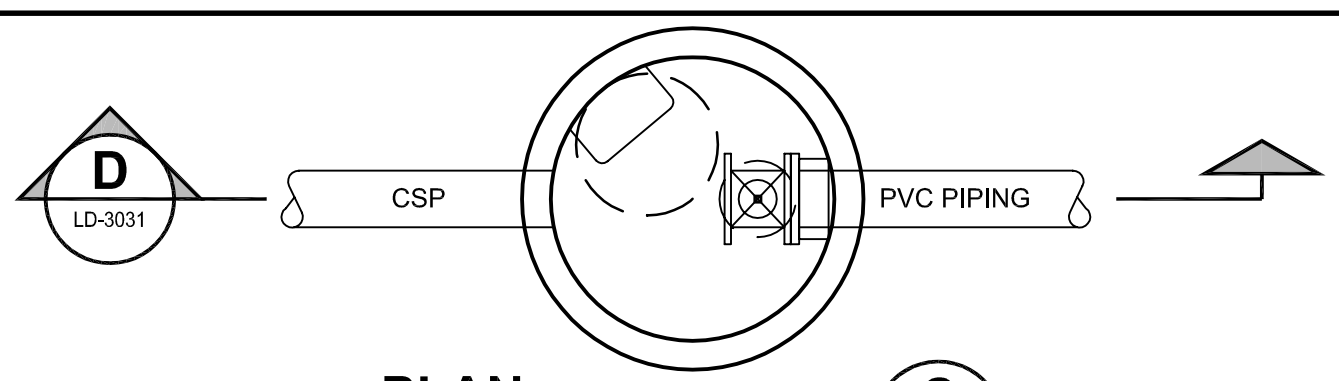
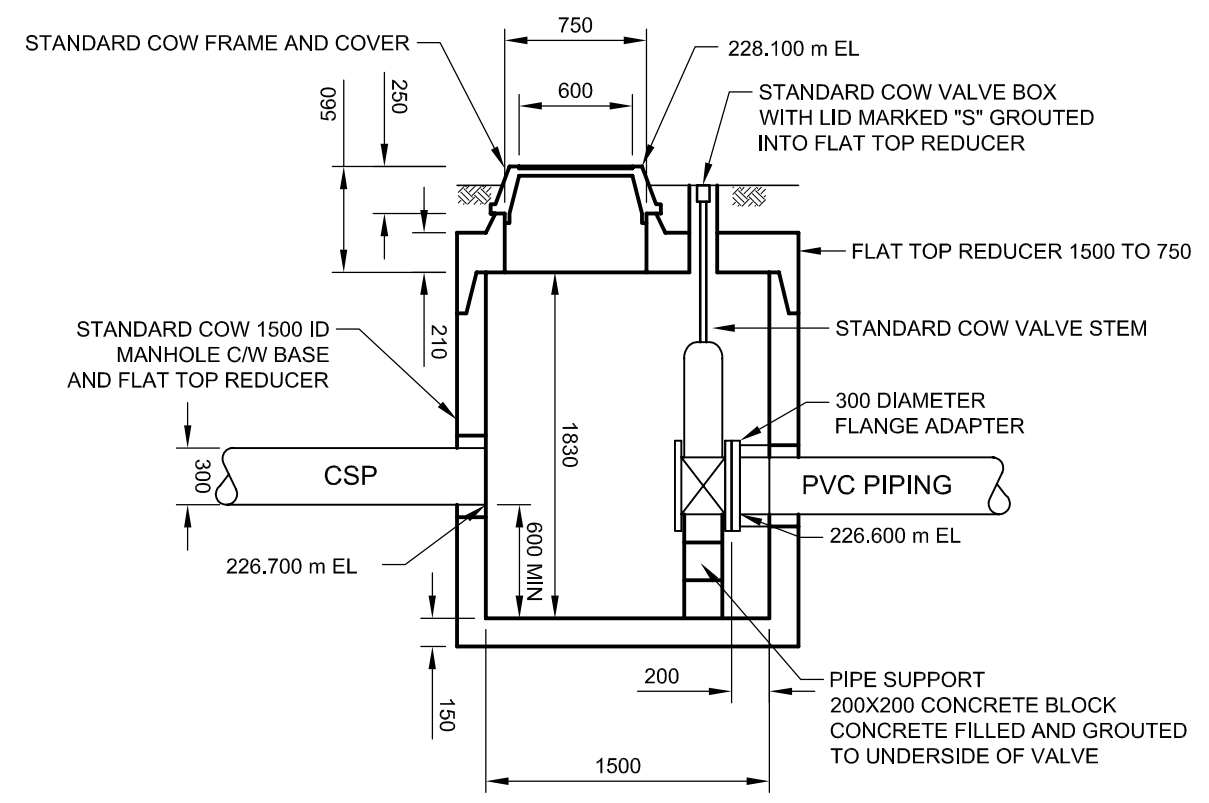


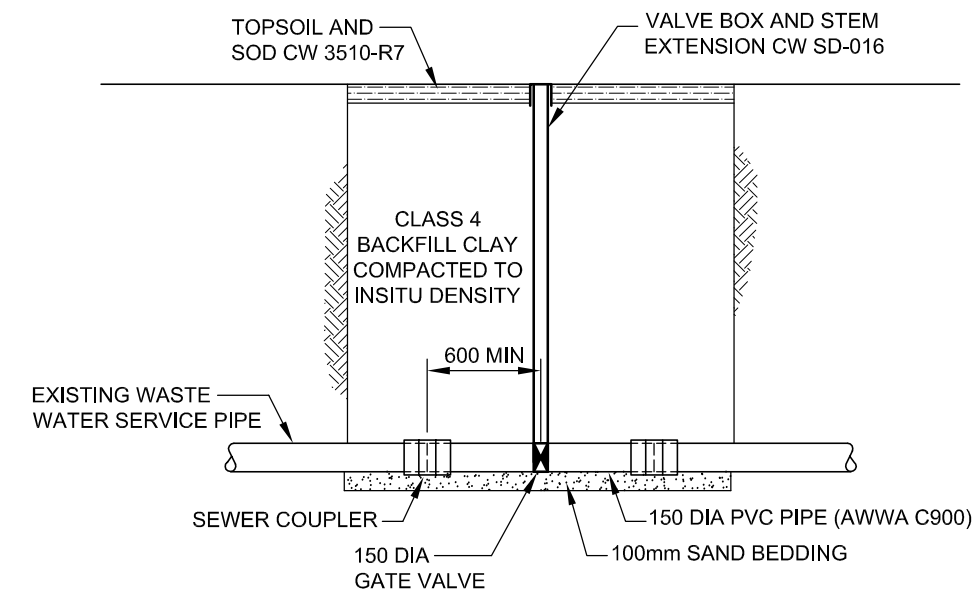
L:\Earth & Water\Projects\0265-361-01_265 & 271 Scotia St Dike Drafting\Revision B\LD-3031_RB.dwg
 FILE: D:\265-ANS-DMG-DHW-M\DWG\2005-12-10\119448m.dwg
 D SIZE 22" x 34" (559mm x 864mm)



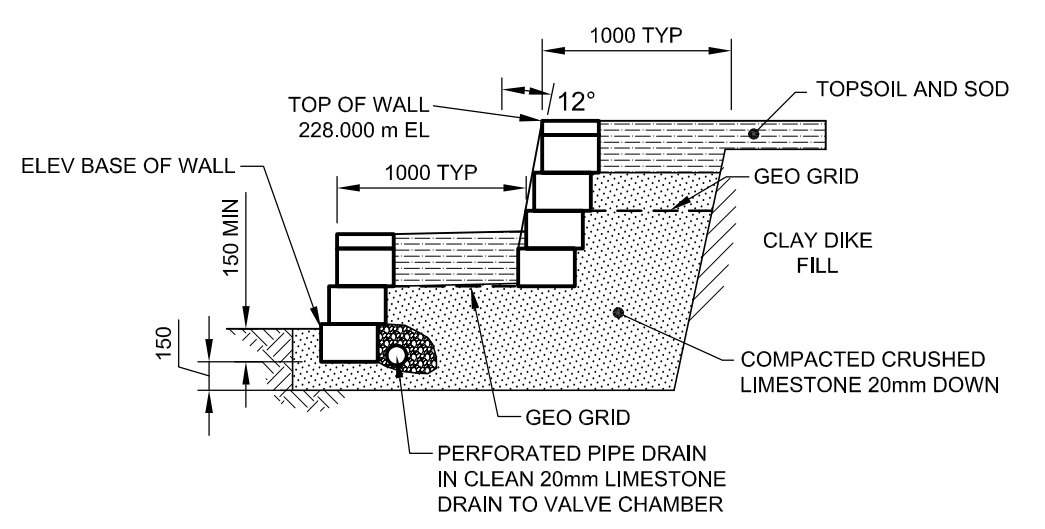
PLAN
SCALE 1:40
DETAIL OF VALVE CHAMBER



SECTION
SCALE 1:40
DETAIL OF VALVE CHAMBER

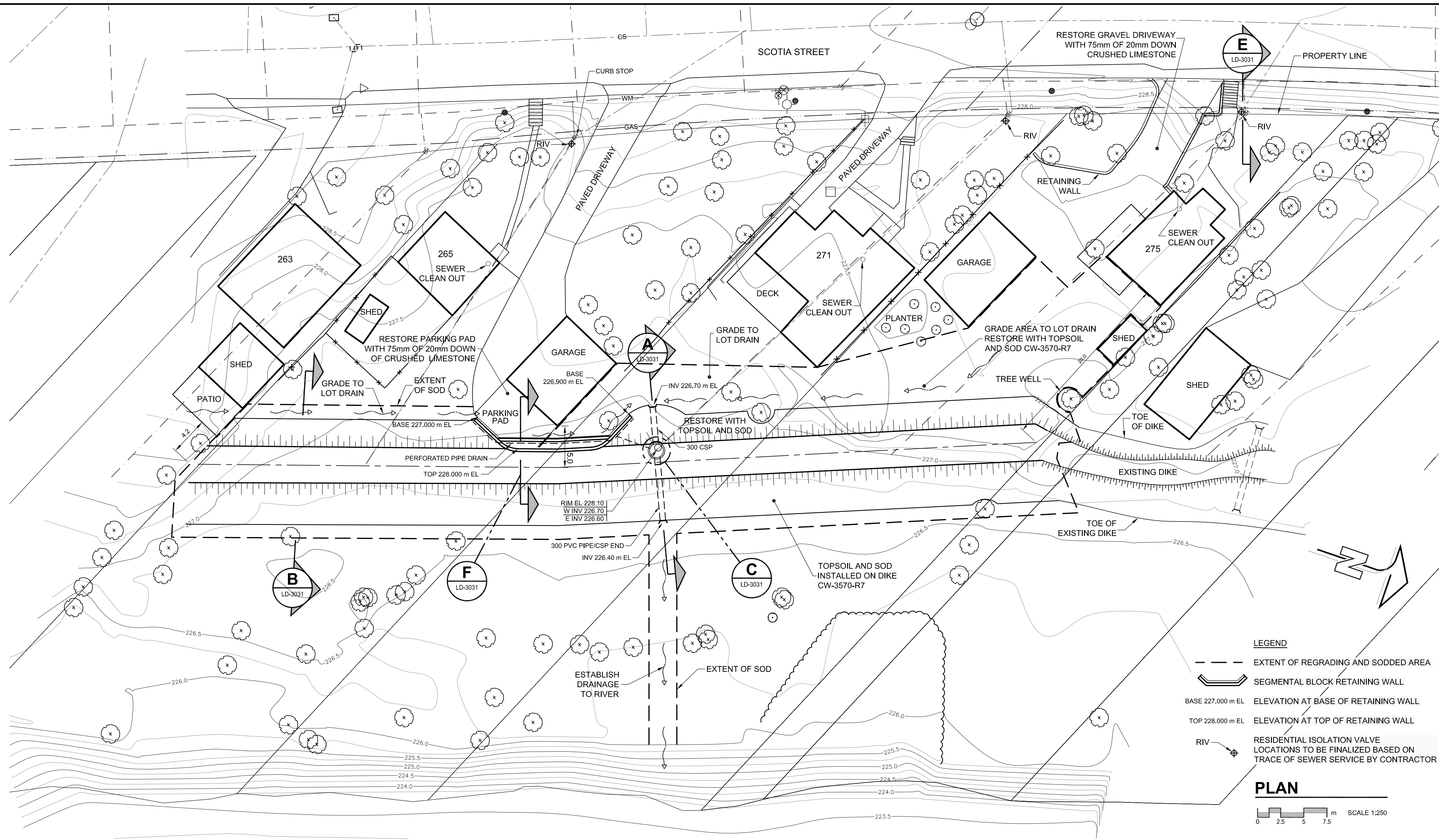


SECTION
SCALE 1:40
DETAIL OF RESIDENTIAL ISOLATION VALVE (RIV)



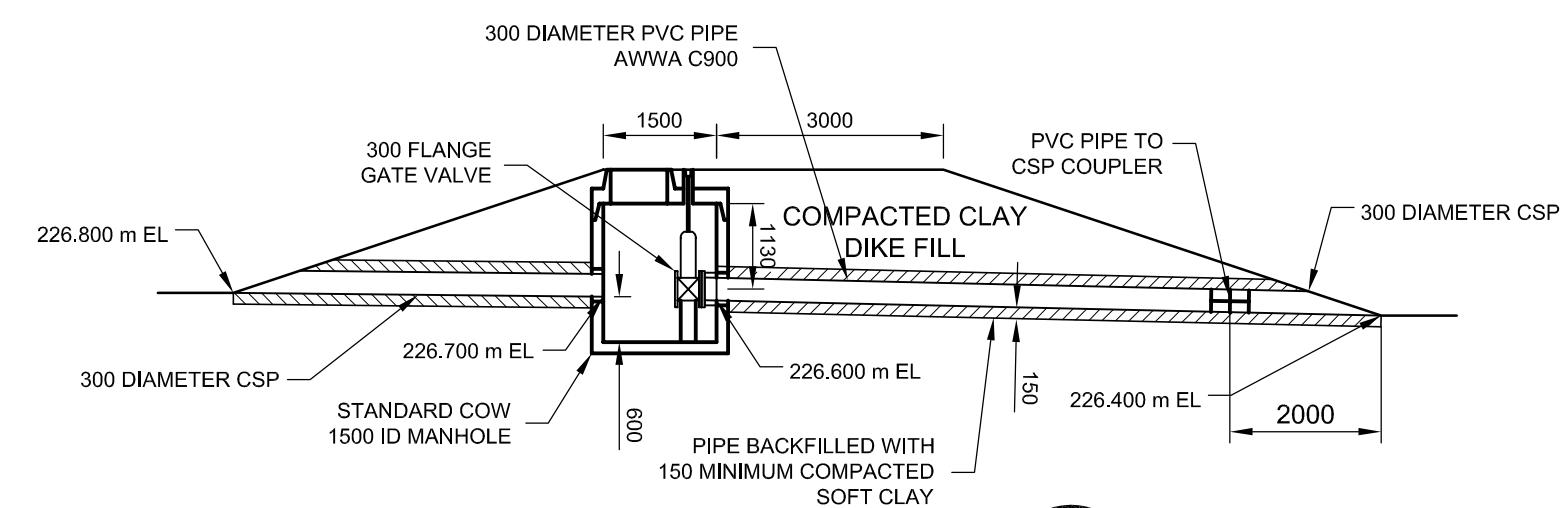
SECTION
SCALE 1:40
DETAIL OF RETAINING WALL

- NOTES:**
- ELEVATION AT BASE OF WALL VARIES 226.9 TO 227.0
 - GEOGRID
- MACGRID WG04 OR MIRGRID3XT
 - RETAINING WALL BLOCK
- ALLANBLOCK ABSTONE OR CORNER STONE 100
- COLOUR SAND STONE OR DESERT BUFF
 - PERFORATED PIPE DRAIN
- BIG 'O' XTF0425

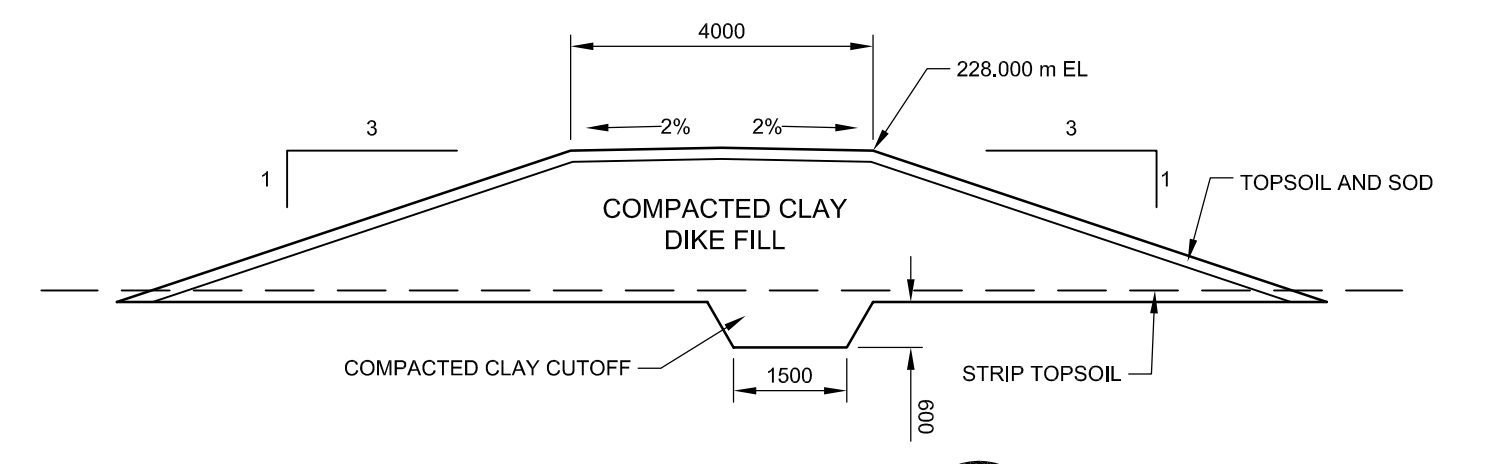


- LEGEND**
- EXTENT OF REGRADING AND SODDED AREA
 - SEGMENTAL BLOCK RETAINING WALL
 - BASE 227.000 m EL
 - TOP 228.000 m EL
 - RIV
- RESIDENTIAL ISOLATION VALVE LOCATIONS TO BE FINALIZED BASED ON TRACE OF SEWER SERVICE BY CONTRACTOR

PLAN
SCALE 1:250



SECTION
SCALE 1:100
LOT DRAIN



SECTION
SCALE 1:100
TYPICAL DIKE SECTION

LOCATION APPROVED UNDERGROUND STRUCTURES		DATE	
SUPR. U/G STRUCTURES	DATE	COMMITTEE	
C	REVISED UNDERGROUND / DECK	04/09/09	LJV
B	ISSUED FOR TENDER	04/08/27	LJV
A	ISSUED FOR REVIEW	04/07/23	JET
NO.	REVISIONS	YYMMDD	BY

NOTE: LOCATION OF UNDERGROUND STRUCTURES AS SHOWN ARE BASED ON THE BEST INFORMATION AVAILABLE. BUT NO GUARANTEE IS GIVEN THAT ALL EXISTING UTILITIES ARE SHOWN OR THAT THE GIVEN LOCATIONS ARE EXACT. CONFIRMATION OF EXISTENCE AND EXACT LOCATION OF ALL SERVICES MUST BE OBTAINED FROM THE INDIVIDUAL UTILITIES BEFORE PROCEEDING WITH CONSTRUCTION.

DESIGNED BY		CHECKED BY	
DRAWN BY		APPROVED BY	
HOR. SCALE		RELEASED FOR CONSTRUCTION	
VERT. SCALE		DATE	
JET	JET	JET	JET
LJV/MLH			
AS SHOWN			

APGM
Certificate of Authorization
UMA Engineering Ltd.
No. 256 Expiry: April 30, 2005

THE CITY OF WINNIPEG WATER AND WASTE DEPARTMENT

SECONDARY DIKE
265, 271 & 275 SCOTIA ST at TAIT AVE

DIKE LOCATIONS AND DETAILS

SHEET 3 OF 3
CITY DRAWING NUMBER
LD-3031

REV C

PROFESSIONAL'S SEAL
ORIGINAL SEALED BY:
J.E. TALLIN
04-AUG-27

CONSULTANT DRAWING NO.
D265-361-01

BID OPPORTUNITY NO. 389-2004