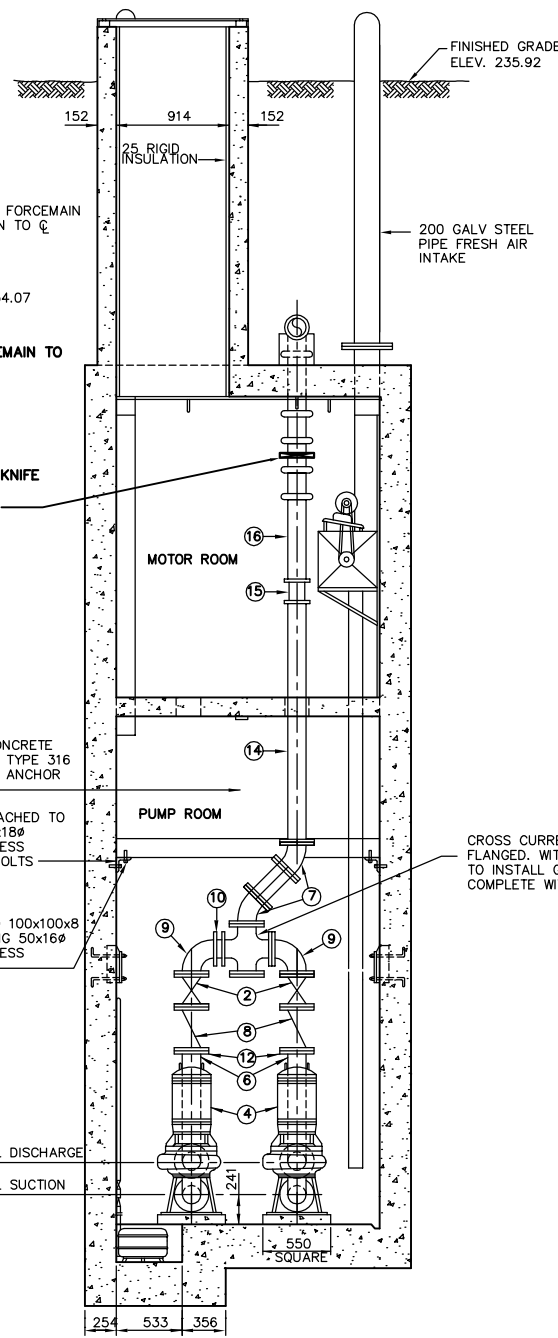
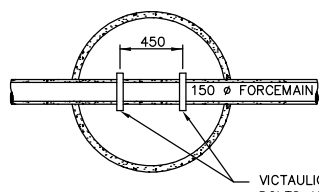


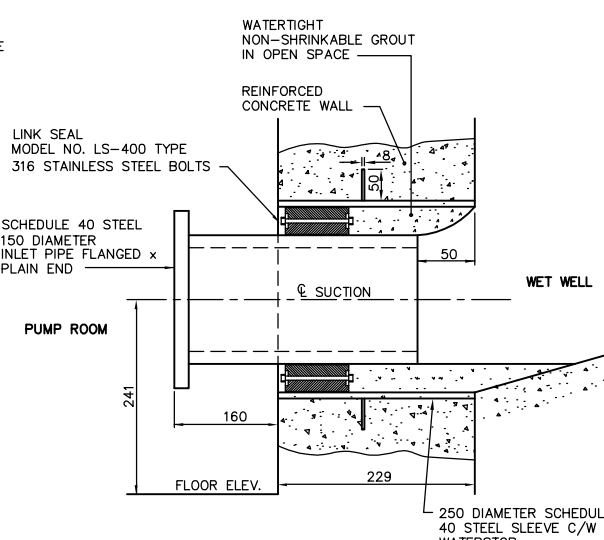
SECTION A-A
SCALE: 1:30



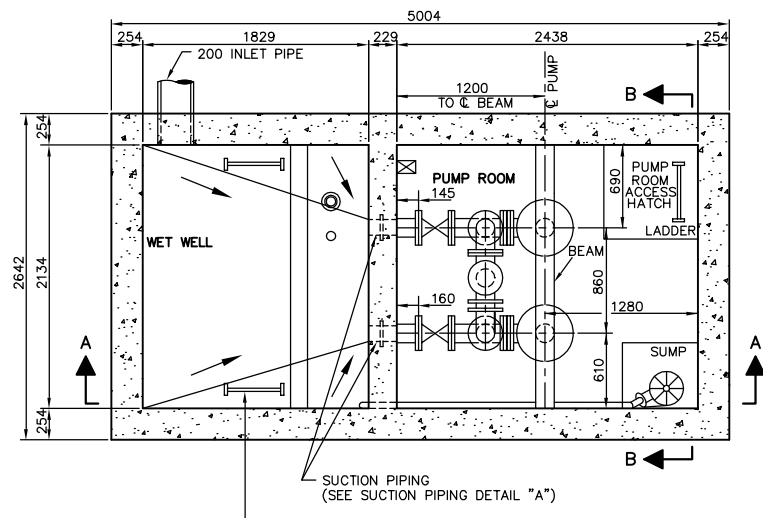
SECTION B-B
SCALE: 1:30



MANHOLE "B"
SCALE: 1:30
DETAIL OF CLEAN OUT MANHOLE AS SHOWN ON SITE PLAN

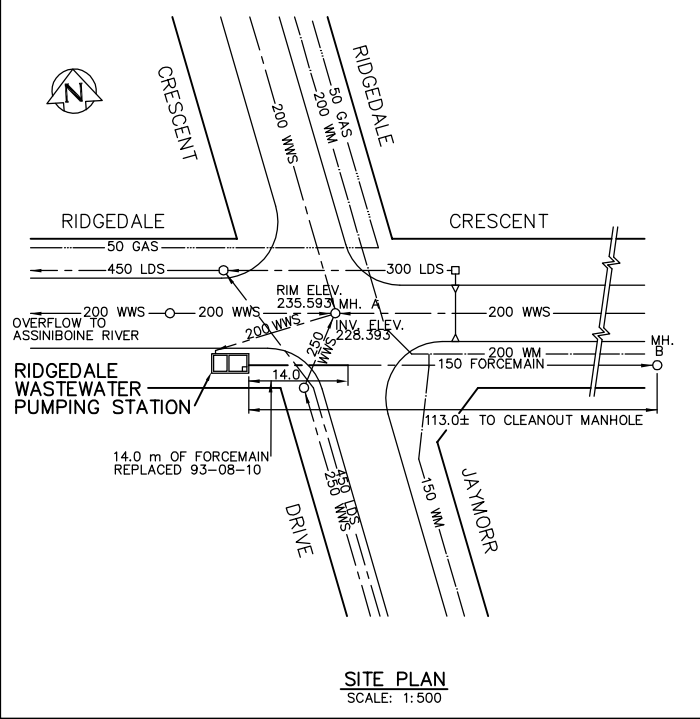


SUCTION PIPING DETAIL "A"
N.T.S.



PLAN VIEW
SCALE: 1:30

- NOTES:**
- LENGTHS SHOWN FOR PIPING ARE FACE TO FACE AND DO NOT INCLUDE GASKET THICKNESS. GASKETS ARE 3 mm THICK, FULL FACED, CLOTH INSERTED RUBBER.
 - ALL NUTS AND BOLTS ARE TYPE 316 STAINLESS STEEL.
 - ALL PIPES ARE CLASS 52 DUCTILE IRON OR SCHEDULE 40 STEEL
 - ALL FITTINGS CONFORM TO AWWA C110.
 - ALL FLANGES ARE WELDED OR THREADED UNLESS NOTED OTHERWISE.
 - ALL ANCHOR BOLTS TO BE 316 STAINLESS STEEL KWIK BOLT STUD ANCHOR



SITE PLAN
SCALE: 1:500

SOURCE DRAWING IS AS-BUILT DWG NO. 1353

METRIC
WHOLE NUMBERS INDICATE MILLIMETRES
DECIMALIZED NUMBERS INDICATE METRES

LIST OF MATERIAL					LIST OF MATERIAL					B.M. ELEV.
ITEM	DESCRIPTION	ENDS	LENGTH	QUANTITY	ITEM	DESCRIPTION	ENDS	LENGTH	QUANTITY	
1	150 INLET PIPING (PLAIN x FLANGED)		160, 145	2	10	150 FILLER PIPE	FLANGED	448	1	
2	150 GATE VALVE	FLANGED	270	4	11	150X150X150X150 CAST IRON CROSS	FLANGED		1	
3	150 FILLER PIPE (PLAIN x FLANGED)		430	2	12	150 SERIES 400 UNI- FLANGE			5	
4	150 x 100 FAIRBANKS MORSE 5432 VERTICAL BUILT-TOGETHER PUMP		AS SHOWN	2	13	150 FILLER PIPE	FLANGED	315	1	
5	100 - 150 INCREASER ELBOW	FLANGED		2	14	150 FILLER PIPE	FLANGED	1957	1	
6	150 FILLER PIPE (PLAIN x FLANGED)		645	2	15	150 FLOW METER			1	
7	150 45° BEND	FLANGED		2	16	150 FILLER PIPE VICTAULIC X PLAIN		625	1	
8	150 BALL CHECK VALVE	FLANGED	356	2						
9	150 STANDARD ELBOW	FLANGED		2						
NO. REVISIONS										

**CITY OF WINNIPEG
WATER AND WASTE
ENGINEERING DIVISION**

DESIGNED BY DS CHECKED BY TW
DRAWN BY WKT APPROVED BY KZ

HOR. SCALE AS SHOWN
VERTICAL
DATE 2004.07.23

ENGINEER'S SEAL

ORIGINAL SIGNED BY K.R. ZUREK
04/07/23

TENDER No. 347-2004
FILENAME: 05487.dwg
PLOT DATE: 2004.07.23

THE CITY OF WINNIPEG
WATER AND WASTE DEPARTMENT

RIDGEDALE WASTEWATER
FORCEMAIN RENEWAL
RIDGEDALE CRESCENT
WASTEWATER PUMPING STATION

SHEET 3 OF 3
CITY DRAWING NUMBER 05487