

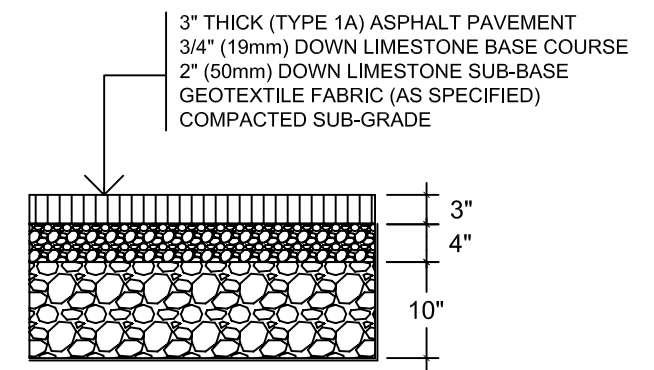
LEGEND:

- x 100.38 FINISHED ASPHALT ELEVATION
- AREA OF NEW ASPHALT CONSTRUCTION

NOTE:

The Contractor is responsible for investigating the Site, the nature of the work to be done, confirm all site dimensions and all local conditions that might affect his performance of the Work, including:

- (a) the nature of the surface and subsurface conditions at the Site;
- (b) the location, nature, quality or quantity of the materials to be removed or to be employed in the performance of the Work;
- (c) all matters concerning access to the Site, power supplies, location of existing services, utilities or materials necessary for the completion of the Work; and
- (d) all other matters which could in any way affect the performance of the Work; and shall assume all risk for conditions existing or arising in the course of the Work which have been or could have been determined through such investigation.



SECTION AT PAVEMENT BASE

SCALE: NOT TO SCALE

GARDEN CITY COMMUNITY CENTRE - SITE PLAN
 SCALE: NOT TO SCALE

KINGSBURY AVENUE

NO.	DESCRIPTION	DATE	BY
REVISIONS / ISSUE			
THE CITY OF WINNIPEG			
		PUBLIC WORKS DEPARTMENT BUILDING SERVICES DIVISION 100 MAIN STREET, MAIN FLOOR WPG, MB. R3C 1A4	
PROJECT: GARDEN CITY COMMUNITY CENTRE 725 KINGSBURY AVENUE WINNIPEG, MANITOBA CONSTRUCTION OF ASPHALT PAVED PARKING LOT			
SHEET TITLE SITE PLAN & DETAILS			
ENG. STAMP	PROJECT NO. 0400018510	DRAWN BY: L.M.C.	CHECKED BY:
APPROVED BY:			
SCALE: NOT TO SCALE		DATE: JULY 5/04	
DRAWING NO. L01			REV.