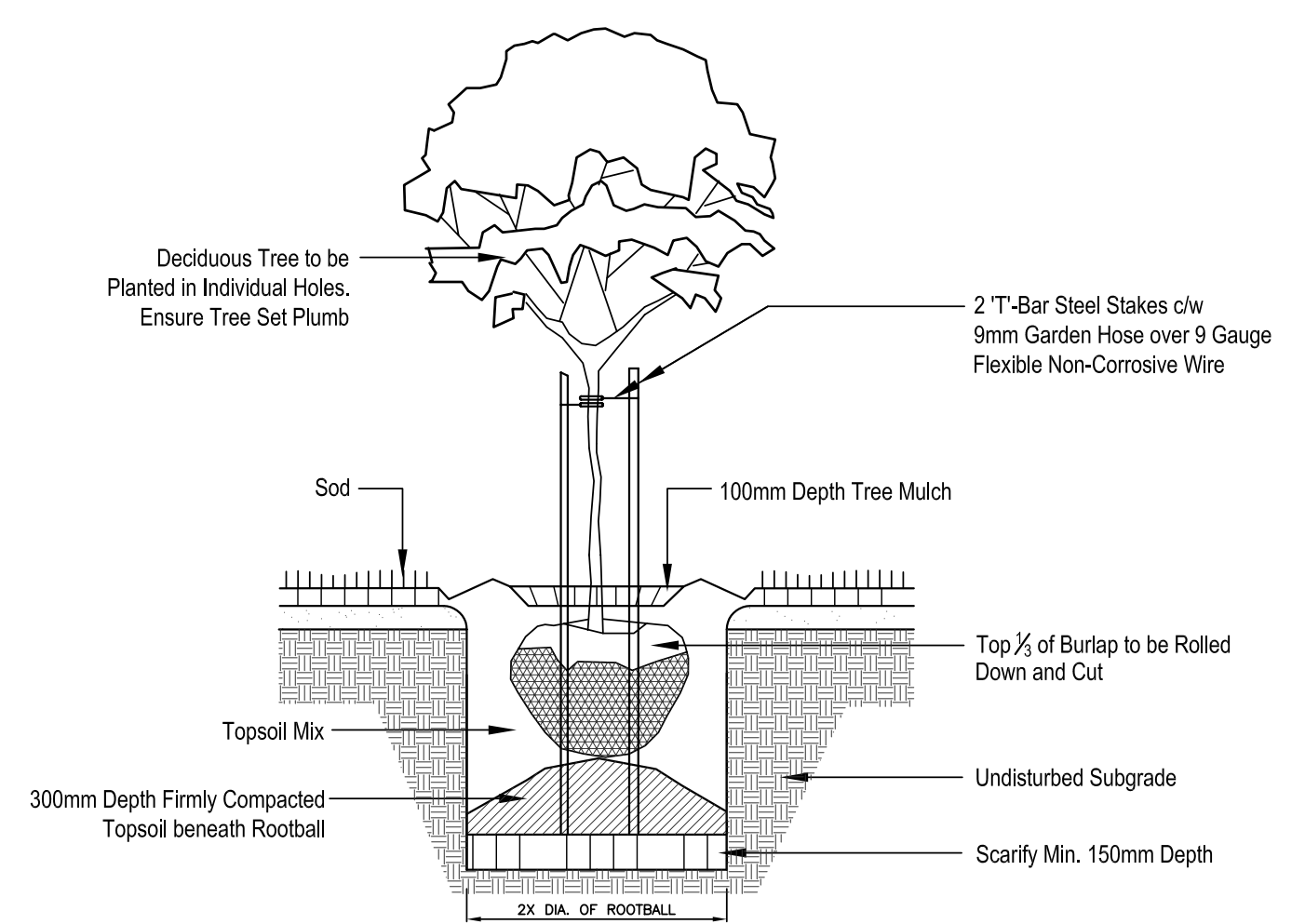
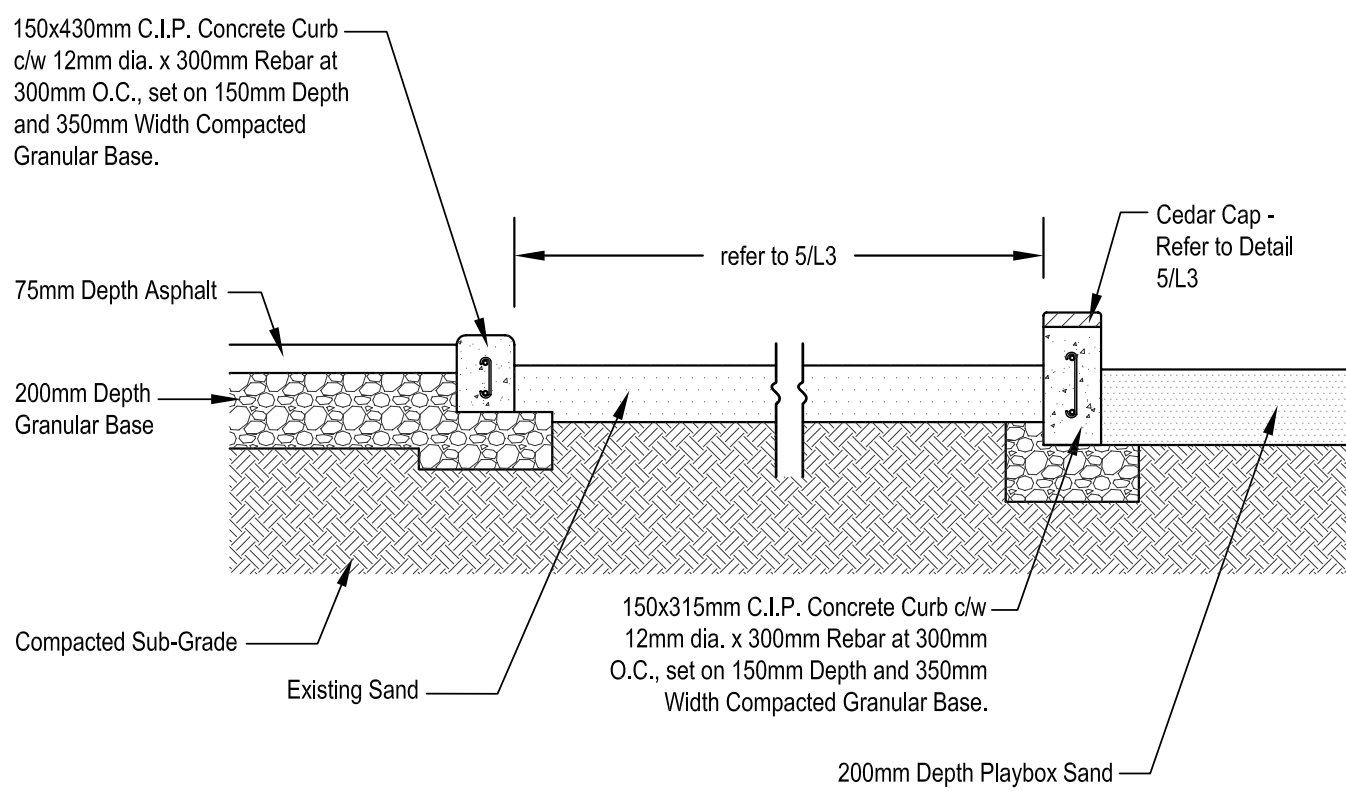


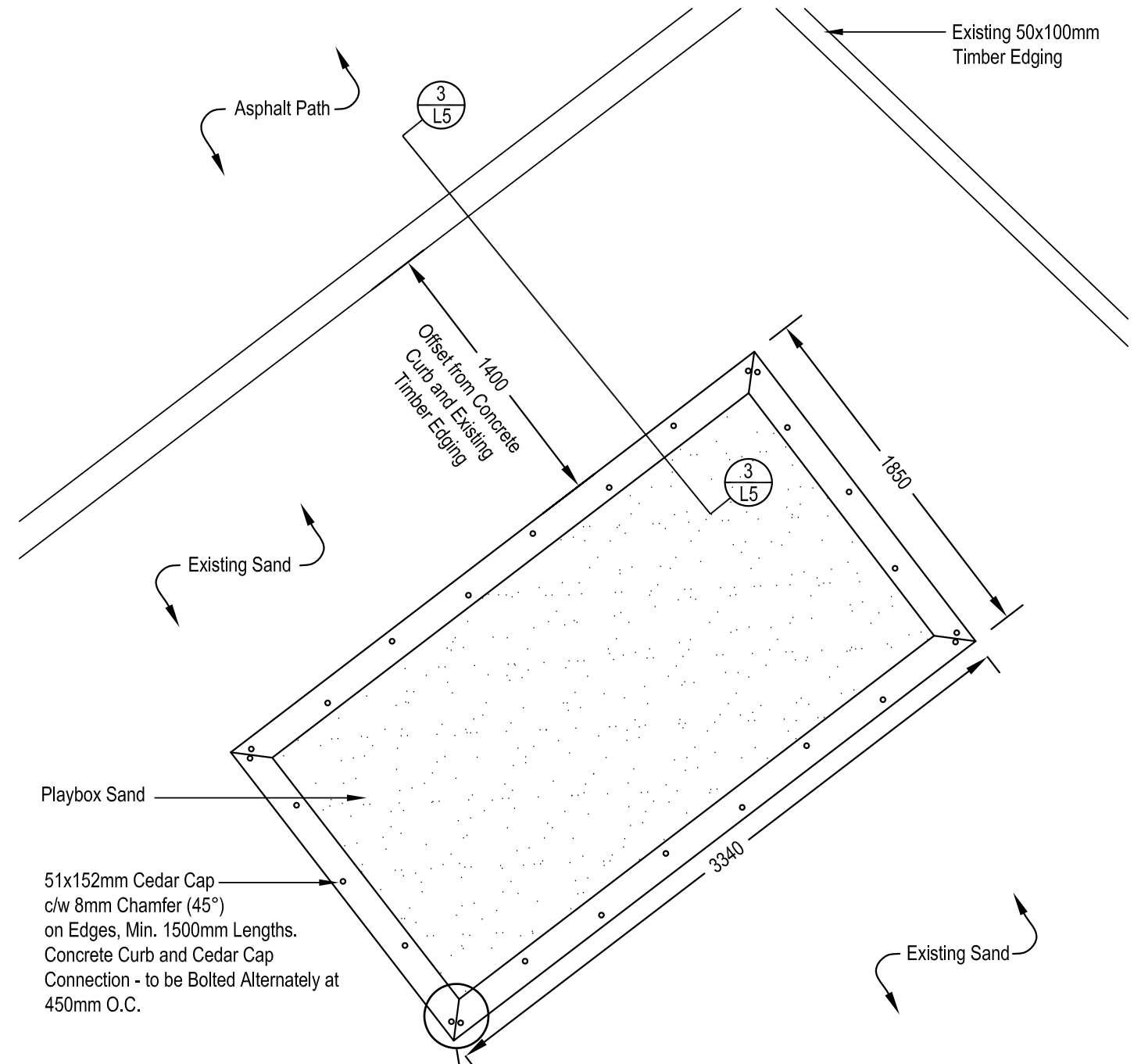
1 Deciduous Tree in Playground Stone
L3 scale 1:30



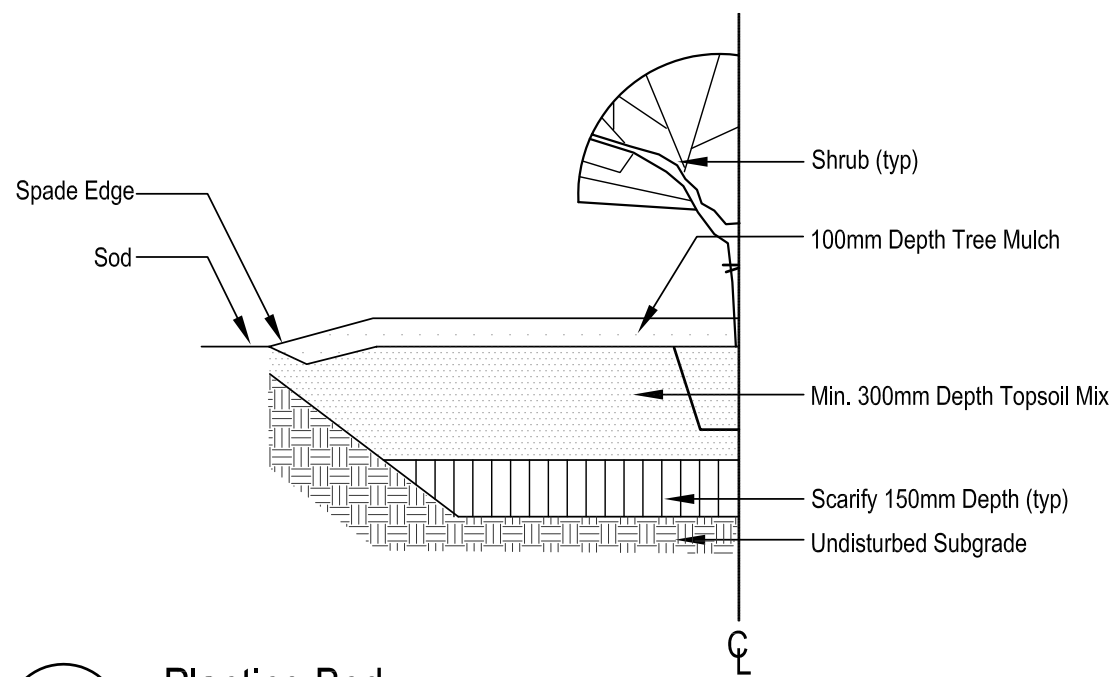
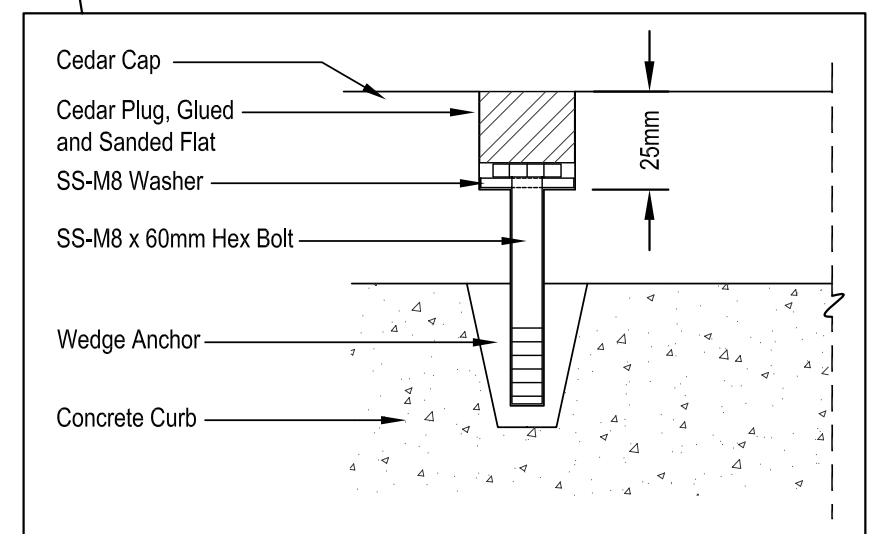
2 Deciduous Tree in Grass
L3 scale 1:30



3 Section - Asphalt Path, Concrete Curb & Sandbox
L3 scale 1:20



5 Sandbox Layout
L3 scale 1:30



4 Planting Bed
L3 scale 1:20

NO.	D / M / Y	DESCRIPTION	BY
REVISIONS / ISSUE			

LANDSCAPE ARCHITECTURE URBAN DESIGN GOLF COURSE DESIGN BRIDGE ARCHITECTURE 3D SIMULATION

 WINNIPEG CALGARY BEIJING

 TEL: 204.972.2444 FAX: 204.972.3443

CLIENT:

 CITY OF WINNIPEG

 PLANNING, PROPERTY and DEVELOPMENT

PROJECT:

 CLIFTON COMMUNITY CENTRE

 PLAYGROUND RENOVATION

TENDER NUMBER:

 340-2004

DWG. DESCRIPTION:

 DETAILS

SEAL:

 BENJAMIN C. MURRAY

 MEMBER NO. 63

DESIGNED BY: AH/CA

 CHECKED: DKM

DRAWN BY: AH/CA

 CHECKED: DKM

APPROVED:

 DKM

SCALE:

 as noted

DATE:

 JULY 12, 2004

SMM DWG. NO.

 415

CLIENT PROJECT NO.

 A-L3

REV:

 0