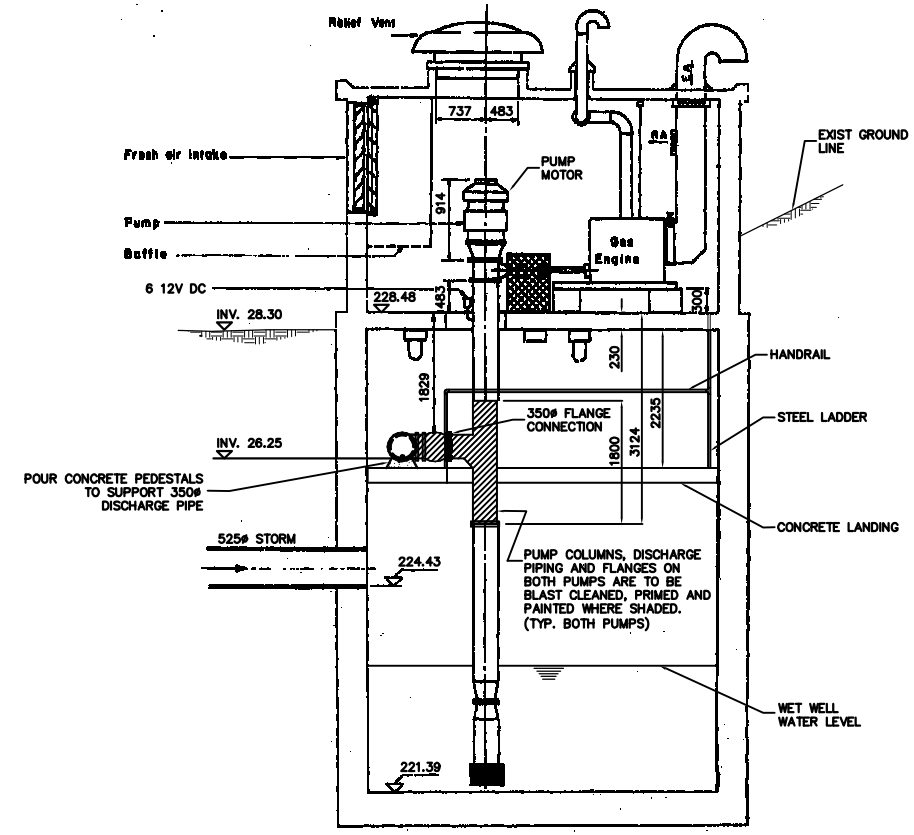
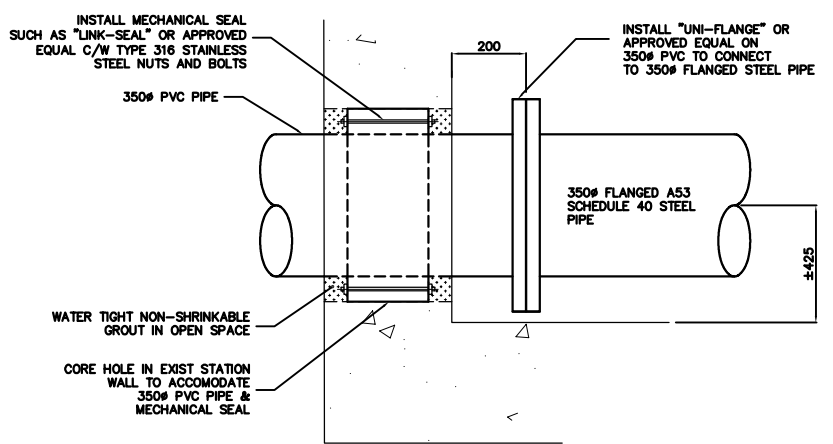


PLAN VIEW ELEV 228.0  
SCALE 1:25

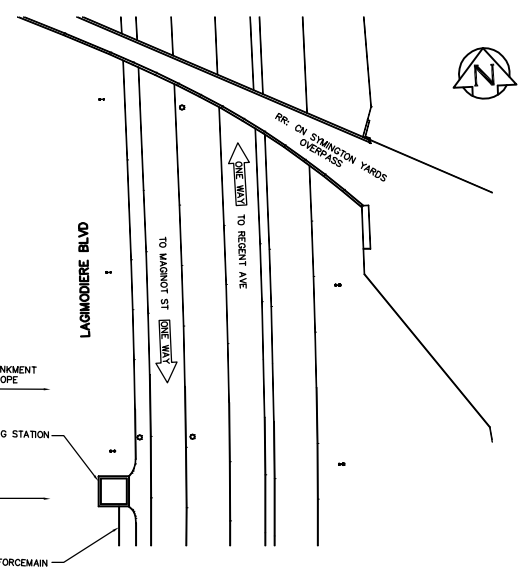
INSTALL NEW 38 COPPER DRAIN C/W BRASS CORPORATION STOP TAPPED INTO BOTTOM OF BLIND FLANGE, DIRECT OPEN END DOWNWARDS INTO WET WELL



SECTION A-A  
SCALE 1:50



DETAIL "A"  
SCALE NTS



SITE PLAN  
SCALE NTS

NOTES

1. THE EXISTING FORCEMAIN OUTSIDE THE STATION IS APPROXIMATELY 2.1 METERS DEEP AND ENCASED IN CONCRETE. THE EXTENTS OF THE CONCRETE ARE UNKNOWN BUT IS BELIEVED TO BE 1.5 METERS WIDE AND 1.0 METERS THICK BY EXTEND AT LEAST 3.0 METRES SOUTH OF THE STATION.
2. ALL PVC PIPE IS TO BE C905 DR18.
3. ALL PIPE SHOWN IN BOLD OUTLINE IS TO BE NEW PIPE.
4. ALL NEW STEEL PIPE IS TO BE ASTM A53 SCHEDULE 40 WITH FLANGED ENDS AND SHALL BE PRIMED AND PAINTED FOR CORROSION RESISTANCE.
5. ALL SHADED EXISTING PIPE AND VALVES ARE TO REMAIN AND BE BLAST CLEANED, PRIMED AND PAINTED AS PER THE SPECIFICATIONS.
6. WORK AREA MUST BE TARPED SO THAT NO DEBRIS FROM CLEANING OR PAINTING ENTERS WET WELL.
7. ALL FLANGES ARE TO BE 150 LB. TO ANSI B16.5.
8. ALL GASKETS ARE TO BE FULL-FACED RED RUBBER.
9. ALL NUTS AND BOLTS SHALL BE TYPE 316 STAINLESS STEEL.
10. LOCATION OF EXISTING FITTINGS AND LENGTHS AND DIMENSIONS FOR NEW PIPING IS TO BE FIELD MEASURED AND CONFIRMED BY THE CONTRACTOR.
11. COMPLY WITH WORKPLACE SAFETY AND HEALTH REQUIREMENTS FOR WORKING ON AND DISPOSING OF AC PIPE.

METRIC  
WHOLE NUMBERS INDICATE MILLIMETRES  
DECIMALIZED NUMBERS INDICATE METRES

B.M. 35-024 ELEV. 230.714		<b>CITY OF WINNIPEG</b> WATER AND WASTE ENGINEERING DIVISION		ENGINEER'S SEAL  ORIGINAL SIGNED BY K.R. ZUREK 04/01/21		<b>THE CITY OF WINNIPEG</b> WATER AND WASTE DEPARTMENT  METRO ROUTE 20 PUMPING STATION PIPING MODIFICATIONS		SHEET 1 OF 1	
DESIGNED BY	NC	CHECKED BY	TW	RELEASED FOR CONSTRUCTION DATE _____		FILENAME: METRO20_PUMPSTA.dwg		LD-2990	
DRAWN BY	CJH	APPROVED BY	KZ						
SCALE	AS SHOWN	DATE	2003.03.27						
NO.	REVISIONS	DATE	BY						