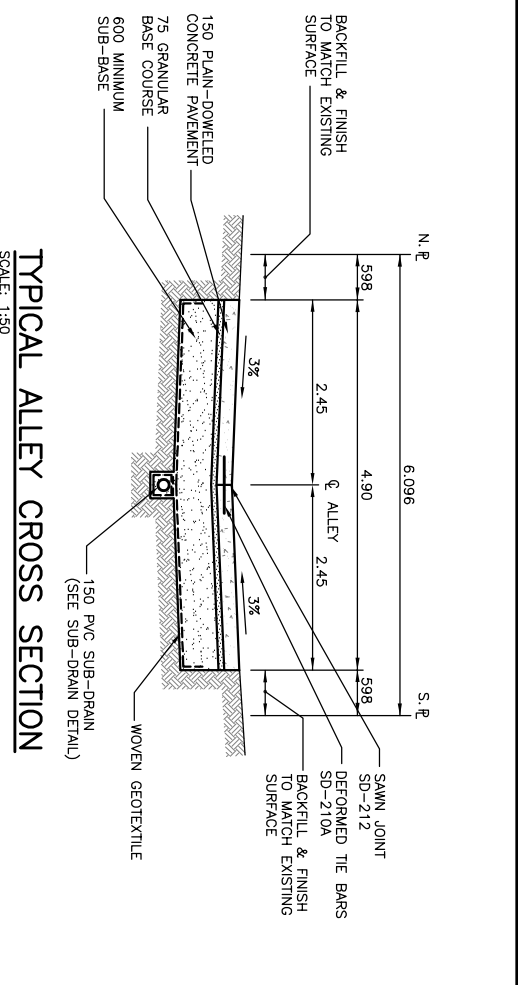


SUB-DRAIN DETAIL
SCALE: 1:30

SUB-DRAIN	300 LBS.	250 LBS.	150 LBS.	EXISTING	PROPOSED
LAND DRAINAGE SEWER	●	○	○	○	○
WASTE WATER SEWER	●	○	○	○	○
GAS	●	○	○	○	○
HYDRO	●	○	○	○	○
M.T.S.	●	○	○	○	○
WATERMAIN	●	○	○	○	○
HYDRANT	●	○	○	○	○
VALVE	●	○	○	○	○
MANHOLE	●	○	○	○	○
CATCH BASIN	●	○	○	○	○
CURB INLET	●	○	○	○	○
LEGEND-PLAN	●	○	○	○	○
POLES	●	○	○	○	○
TEST HOLE	●	○	○	○	○
GUY WIRE	●	○	○	○	○
LIGHT STANDARD	●	○	○	○	○
BACK OF CURB	●	○	○	○	○
CONCRETE	●	○	○	○	○
ASPHALT	●	○	○	○	○
SIDEWALK	●	○	○	○	○
PROPERTY LINE	●	○	○	○	○
PROPERTY BAR	●	○	○	○	○
GEODEIC BENCHMARK	●	○	○	○	○
ELEVATION	●	○	○	○	○
LEGEND-PLAN	●	○	○	○	○
POLES	●	○	○	○	○
TEST HOLE	●	○	○	○	○
GUY WIRE	●	○	○	○	○
LIGHT STANDARD	●	○	○	○	○
BACK OF CURB	●	○	○	○	○
CONCRETE	●	○	○	○	○
ASPHALT	●	○	○	○	○
SIDEWALK	●	○	○	○	○
PROPERTY LINE	●	○	○	○	○
PROPERTY BAR	●	○	○	○	○
GEODEIC BENCHMARK	●	○	○	○	○
ELEVATION	●	○	○	○	○
LEGEND-PROFILE	●	○	○	○	○



LOCATION APPROVED UNDERGROUND STRUCTURES

NOTE: LOCATION OF UNDERGROUND STRUCTURES AS SHOWN ON THIS DRAWING IS BASED ON THE INFORMATION AVAILABLE. BUT NO GUARANTEE IS GIVEN OR INTENDED BY THE ENGINEER AS TO THE ACCURACY OF THE LOCATION OF ALL SERVICES UNDER THE GROUND. THE USER SHALL VERIFY THE LOCATION OF ALL SERVICES WITH THE UTILITY COMPANIES BEFORE PROCEEDING WITH CONSTRUCTION.

DESIGNED BY: B.S.
DRAWN BY: D.W.
CHECKED BY: C.R.
APPROVED BY: R.J.H.

DATE: 13 FEBRUARY, 2004

KGS CONSULTING ENGINEERS & PROJECT MANAGERS
WINNIPEG THUNDER BAY (807) 346-2233

THE CITY OF WINNIPEG
PUBLIC WORKS DEPARTMENT
ENGINEERING SERVICES DIVISION

PROJECT TITLE: 2004 ALLEY RENEWALS

PROJECT: MONTROSE ST./WAVERLEY ST. LANE GROSVENOR AVE. TO CORDOON AVE. STA. 2+25 TO STA. 3+75

ENGINEER'S SEAL: M.C. KOMIOTHIAM, PROFESSIONAL ENGINEER, REG. NO. 22879

CONSULTANT DRAWING NO: 03-107-15

Scale: 1:300 METRIC A3

Scale: 1:250 METRIC A1

Scale: 1:500 METRIC A3

WARNING

IF POWER EQUIPMENT OR EXPLOSIVES ARE TO BE USED FOR EXCAVATION ON THIS PROJECT THE CONTRACTOR SHALL NOTIFY THE GAS COMPANY OF THE PROPOSED LOCATION OF EXCAVATION.

IF THE PRESENCE OF ANY GAS IS DETECTED THE CONTRACTOR SHALL STOP WORK IMMEDIATELY AND NOTIFY THE GAS COMPANY AND THE ENGINEER.

SEE PROVINCIAL REGULATION 219/77 FOR DETAILS.

METRIC

WHOLE NUMBERS INDICATE MILLIMETRES
DECIMALIZED NUMBERS INDICATE METRES

APGIN
Certificate of Authorization
KGS Group
No. 246 Expiry: April 30, 2005

THE CITY OF WINNIPEG
PUBLIC WORKS DEPARTMENT
ENGINEERING SERVICES DIVISION

PROJECT TITLE: 2004 ALLEY RENEWALS

PROJECT: MONTROSE ST./WAVERLEY ST. LANE GROSVENOR AVE. TO CORDOON AVE. STA. 2+25 TO STA. 3+75

ENGINEER'S SEAL: M.C. KOMIOTHIAM, PROFESSIONAL ENGINEER, REG. NO. 22879

CONSULTANT DRAWING NO: 03-107-15

Scale: 1:300 METRIC A3

Scale: 1:250 METRIC A1

Scale: 1:500 METRIC A3

SUB-DRAIN	300 LBS.	250 LBS.	150 LBS.	EXISTING	PROPOSED
LAND DRAINAGE SEWER	●	○	○	○	○
WASTE WATER SEWER	●	○	○	○	○
GAS	●	○	○	○	○
HYDRO	●	○	○	○	○
M.T.S.	●	○	○	○	○
WATERMAIN	●	○	○	○	○
HYDRANT	●	○	○	○	○
VALVE	●	○	○	○	○
MANHOLE	●	○	○	○	○
CATCH BASIN	●	○	○	○	○
CURB INLET	●	○	○	○	○
LEGEND-PLAN	●	○	○	○	○
POLES	●	○	○	○	○
TEST HOLE	●	○	○	○	○
GUY WIRE	●	○	○	○	○
LIGHT STANDARD	●	○	○	○	○
BACK OF CURB	●	○	○	○	○
CONCRETE	●	○	○	○	○
ASPHALT	●	○	○	○	○
SIDEWALK	●	○	○	○	○
PROPERTY LINE	●	○	○	○	○
PROPERTY BAR	●	○	○	○	○
GEODEIC BENCHMARK	●	○	○	○	○
ELEVATION	●	○	○	○	○
LEGEND-PROFILE	●	○	○	○	○