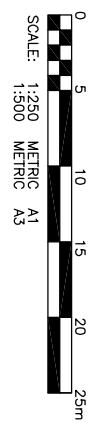


LIMIT OF CONSTRUCTION STA 0+93.6

PHASE 2

LIMIT OF CONSTRUCTION STA 1+70.52

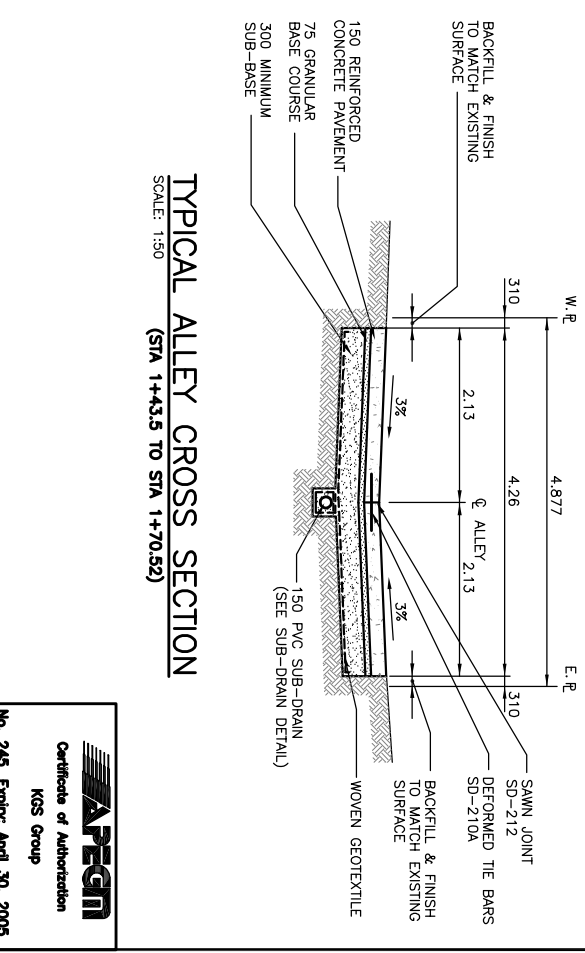
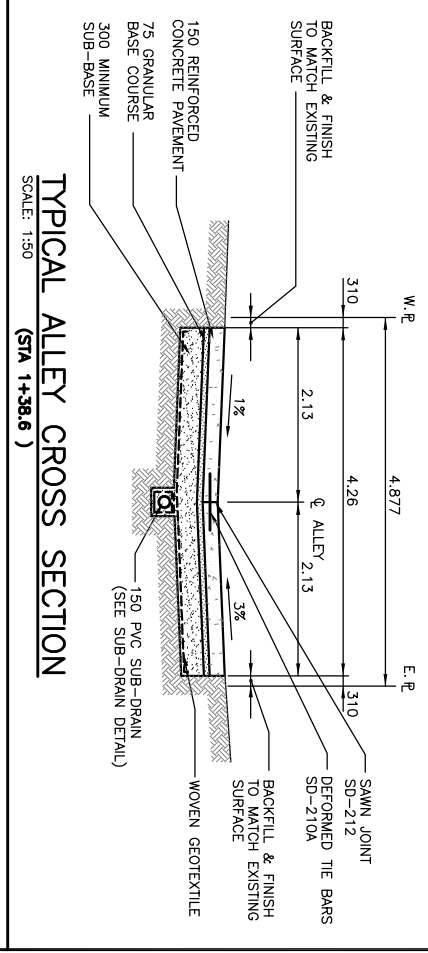
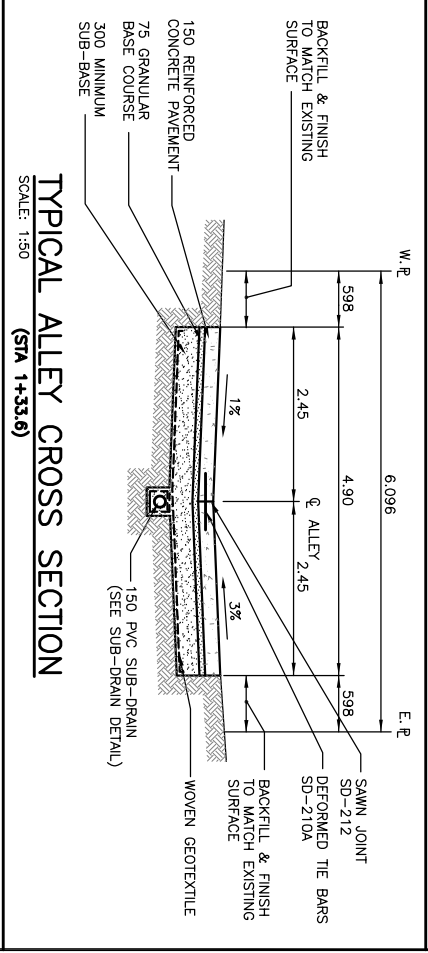
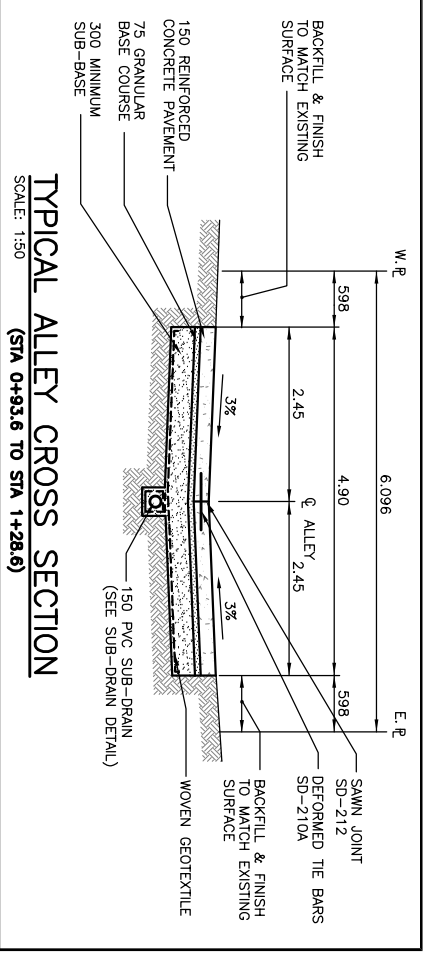
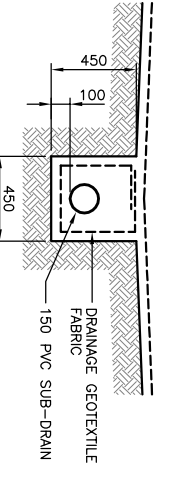


**WARNING**

IF POWER EQUIPMENT OR EXPLOSIVES ARE TO BE USED WITH EXCAVATION ON THIS PROJECT THE CONTRACTOR SHALL NOTIFY THE GAS COMPANY OF THE PROPOSED LOCATION OF EXCAVATION. THE CONTRACTOR SHALL BE RESPONSIBLE FOR THE PROTECTION OF ALL UTILITIES. SEE PROVINCIAL REGULATION 210/72 FOR DETAILS.

**METRIC**

WHOLE NUMBERS INDICATE MILLIMETRES  
DECIMALIZED NUMBERS INDICATE METRES



EXISTING	PROPOSED	LEGEND-PLAN	LEGEND-PROFILE
○	●	POLES, LIGHTS	
○	◆	TEST HOLE	
○	◆	GUY WIRE	
○	◆	LIGHT STANDARD	
○	◆	BACK OF CURB	
○	◆	CONCRETE	
○	◆	ASPHALT	
○	◆	SIDEWALK	
○	◆	PROPERTY LINE	
○	◆	SURVEY BAR	
○	◆	GEODEIC BENCHMARK	
○	◆	ELEVATION	
○	◆	PROPOSED	
○	◆	EXISTING	
○	◆	LEGEND-PLAN	
○	◆	PROPOSED	
○	◆	EXISTING	
○	◆	LEGEND-PROFILE	
○	◆	PROPOSED	
○	◆	EXISTING	

NO.	REVISIONS	DATE	BY	DATE
0	ISSUED FOR TENDER	18/05/04	CR	
A	ISSUED FOR REVIEW	14/05/04	CR	

**KGS GROUP**  
CONSULTING ENGINEERS & PROJECT MANAGERS  
WINNIPEG, MANITOBA (204) 986-1208  
THUNDER BAY (807) 346-2233

ENGINEER'S SEAL  
M.C. ROMDOLPH  
PROVINCIAL REGISTERED ENGINEER  
22879

**THE CITY OF WINNIPEG**  
PUBLIC WORKS DEPARTMENT  
ENGINEERING SERVICES DIVISION

PROJECT TITLE: 2004 ALLEY RENEWALS

KNAPPEN AVE./BROADWAY AVE. LANE  
MARYLAND ST. TO HONEYMAN AVE.  
STA. 0+93.6 TO STA. 1+70.52

ENGINEER: April 30, 2005

COMPUTER FILE NAME: 03-107-15  
CITY DRAWING NUMBER: 03-107-15