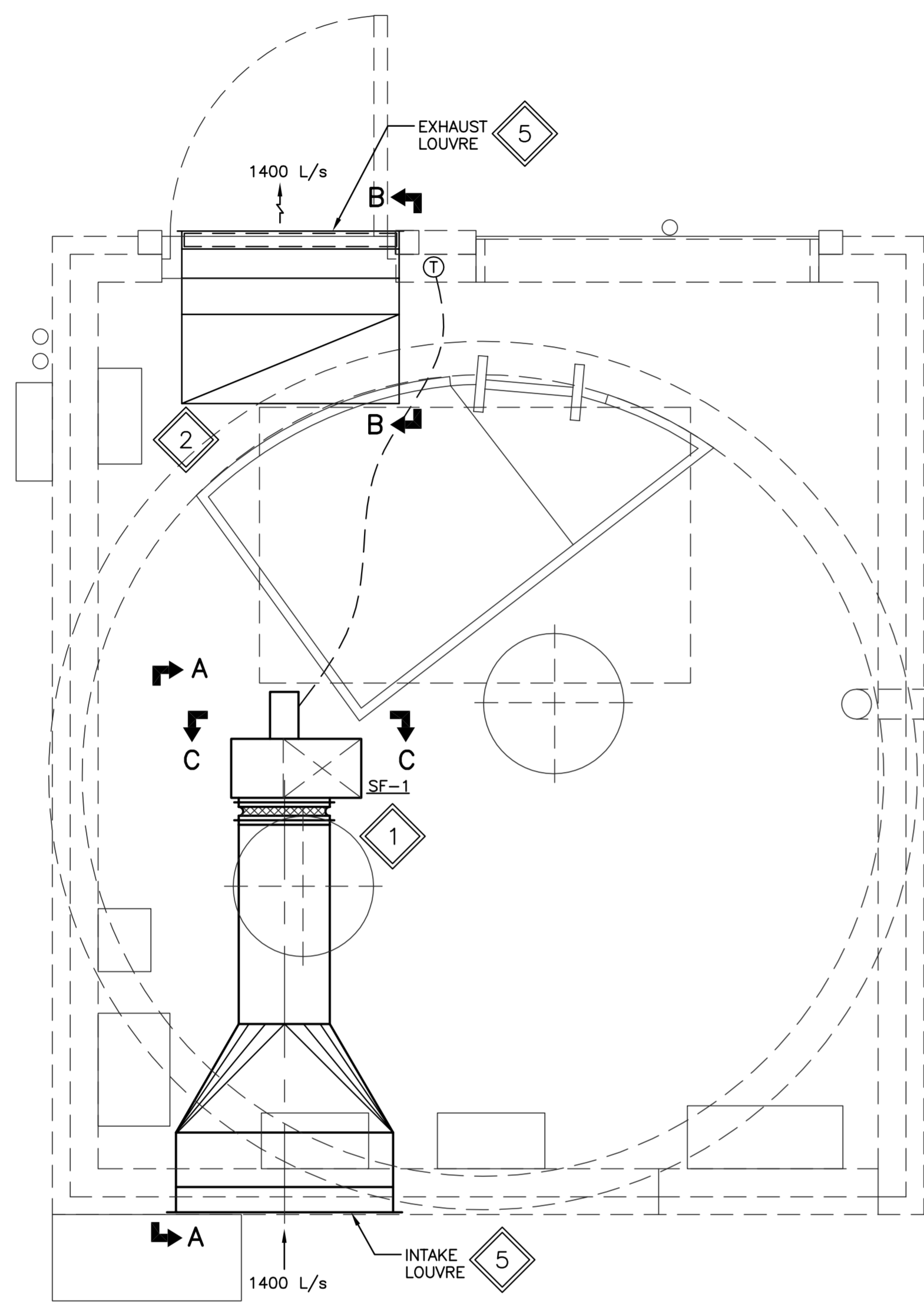


File Name: P:\Projects\2002\02-206-09\Mech\Drawings\02-206-09M01A.dwg - Tab: Layout1 Plotted By: GNeilson 06/22/2004 [True 8:53am]



PLAN

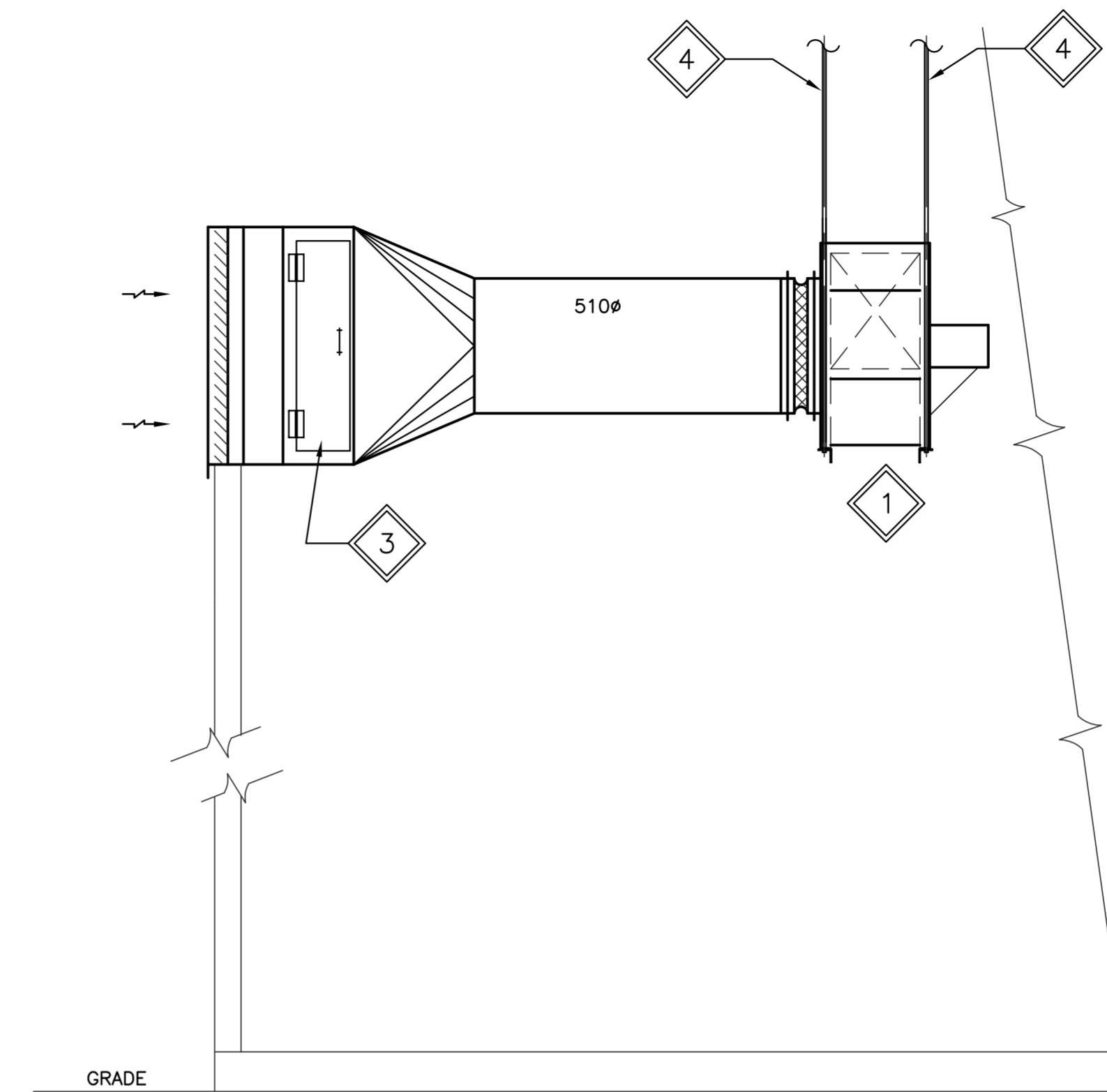
1 = 25 mm

GENERAL NOTES:

1. PERFORM WORK IN ACCORDANCE WITH ALL APPLICABLE CODES AND REGULATIONS.
2. REVIEW DUCT ROUTING AND FINAL EQUIPMENT LOCATIONS WITH CONSULTANT PRIOR TO INSTALLATION.
3. CONFORM TO SMACNA STANDARDS FOR SUPPLY AND INSTALLATION OF DUCTWORK.
4. SEAL ALL WALL PENETRATIONS WATER TIGHT.

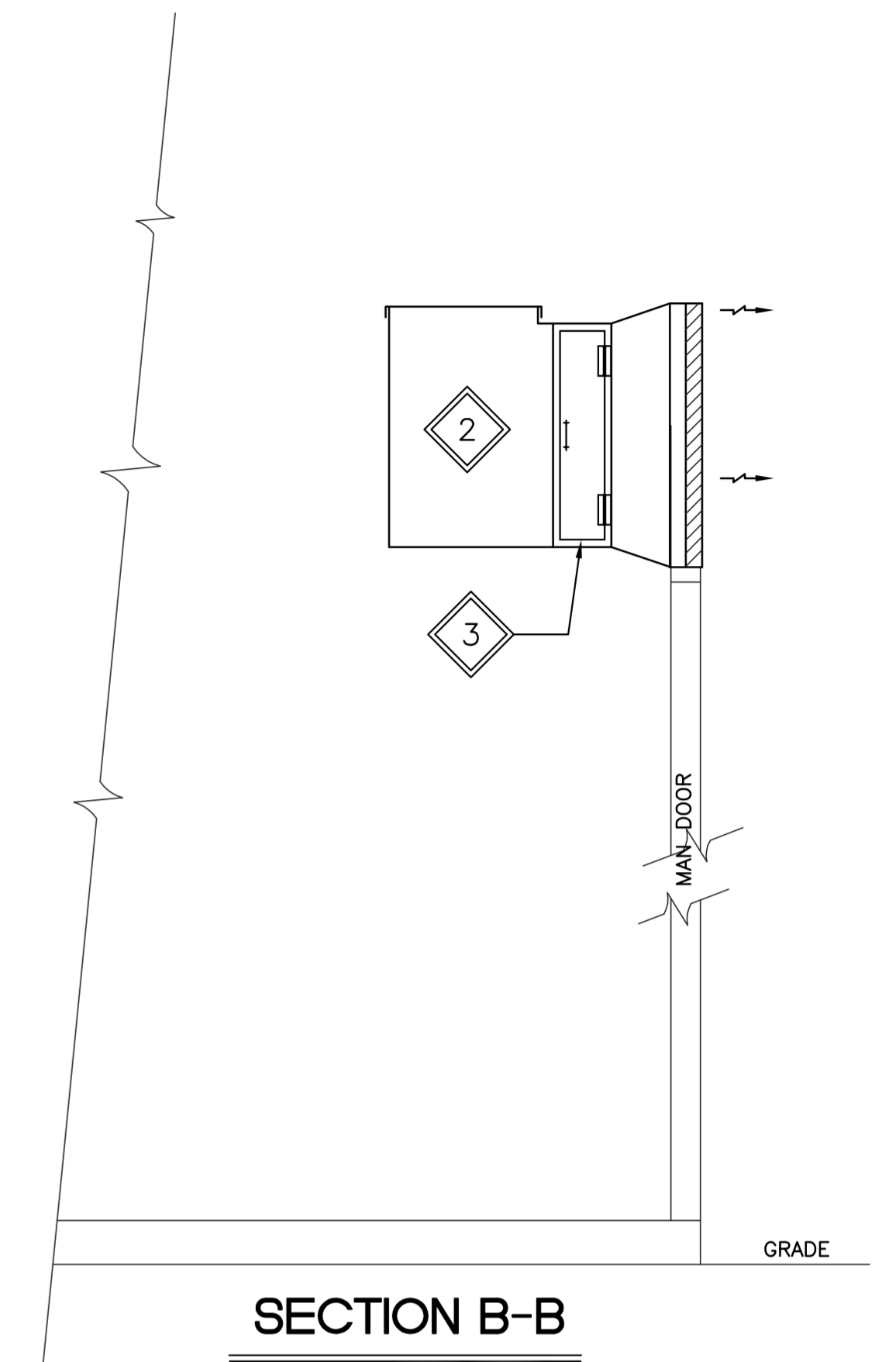
KEY NOTES:

1. INSTALL NEW SUPPLY FAN SF-1 AS SHOWN. FAN SHALL BE A NORTHERN BLOWER OR EQUAL DESIGN 7610, SIZE 1825 CENTRIFUGAL AIRFOIL FAN. PROVIDE A DIRECT DRIVE ARRANGEMENT WITH A 1 HP, 240V SINGLE PHASE, TEFC, HIGH EFFICIENCY, 1200RPM MOTOR. SET FAN DISCHARGE AT 30° FROM VERTICAL TO FACE FLOOR MOUNTED PUMP MOTORS. PROVIDE VIBRATION ISOLATION HANGERS. PROVIDE ALL ASSOCIATED DUCTWORK AND LOUVRES
2. INSTALL RELIEF AIR DUCTWORK AND LOUVER AS SHOWN. PROVIDE A 1200mmx600mm OPENING ON TOP.
3. PROVIDE HINGED ACCESS DOOR AND GUIDES TO PERMIT INSERTION OF 25mm THICK GALVANIZED STEEL COVERED WINTER CLOSURE PANELS. PROVIDE HANDLE FOR PANEL REMOVAL.
4. ATTACH TO SUPPORT STEEL AT UNDERSIDE OF ROOF.
5. PROVIDE CUSTOM INTAKE AND EXHAUST LOUVRES WITH DIMENSIONS AS SHOWN ON THE ARCHITECTURAL DRAWINGS. LOUVRES SHALL BE E.H. PRICE K609 HP FIXED BLADE ALUMINUM LOUVRES COMPLETE WITH BIRDSCREEN, FLANGE AND DARK GREY FINISH. CONFIRM EXACT COLOR WITH THE ARCHITECT BEFORE PAINTING. NOTE THE LOUVER'S SHAPE MUST CONFORM TO THE ARRANGEMENT SHOWN ON THE ARCHITECTURAL DRAWINGS A4.1 AND A5.1. DUCTWORK CONNECTION TO THE LOUVRES SHALL BE FULL WIDTH AND 900mm HIGH. THE LOUVRES ABOVE THIS LEVEL SHALL BE BLANKED OFF WITH SHEET METAL AND SEALED WATER TIGHT.



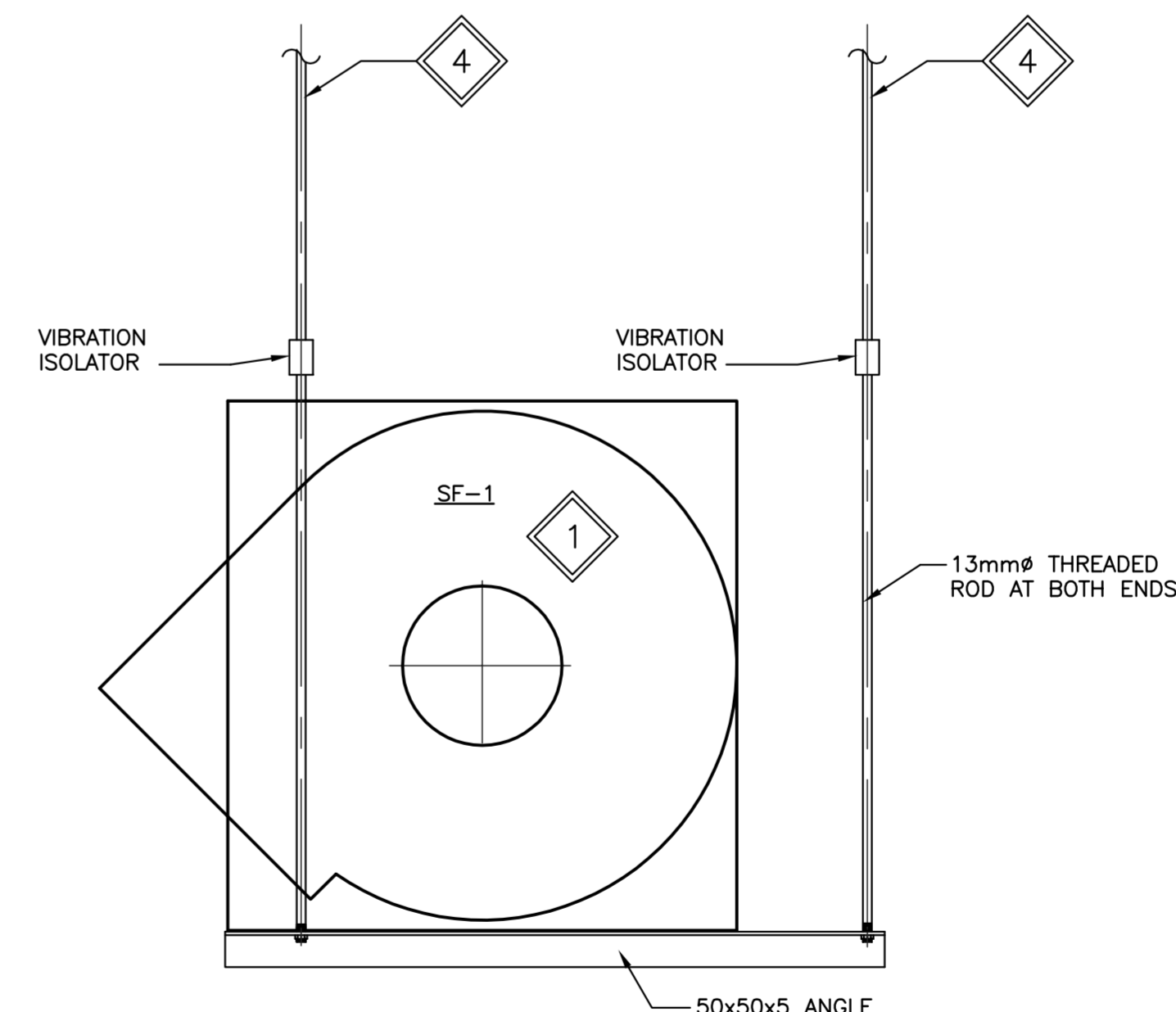
SECTION A-A

1 = 20 mm



SECTION B-B

1 = 20 mm



SECTION C-C

N.T.S.

LEGEND:

- CONTROL WIRING
- FLEXIBLE CONNECTION
- Ⓢ THERMOSTAT

METRIC
WHOLE NUMBERS INDICATE MILLIMETRES
DECIMALIZED NUMBERS INDICATE METRES

WARNING

IF POWER EQUIPMENT OR EXPLOSIVES ARE TO BE USED FOR EXCAVATION ON THIS PROJECT THE CONTRACTOR MUST:
1) NOTIFY THE GAS COMPANY OF THE PROPOSED LOCATION OF EXCAVATION.
2) TAKE PRECAUTION TO AVOID DAMAGE TO GAS COMPANY INSTALLATIONS.
SEE PROVINCIAL REGULATION 210/72 FOR DETAILS

APECM
Certificate of Authorization
KGS Group
No. 245 Expiry: April 30, 2005

B.M. ELEV.	DESIGNED BY PS/RD		CHECKED BY PS/RD		
POSTED TO LBIS	DRAWN BY TJH		APPROVED BY		
	AS NOTED		RELEASED FOR CONSTRUCTION		
	0 ISSUED FOR TENDER	04.06.18	RED	VERTICAL	BID OPP: 244-2004
	NO. REVISIONS			DATE 17 JUN 04	FILENAME: -

THE CITY OF WINNIPEG
WATER AND WASTE DEPARTMENT

GALT FLOOD PUMPING STATION REDEVELOPMENT

SHEET 1 OF 1
CONSULTANT DRAWING NUMBER M1
CITY DRAWING NUMBER LD-3024