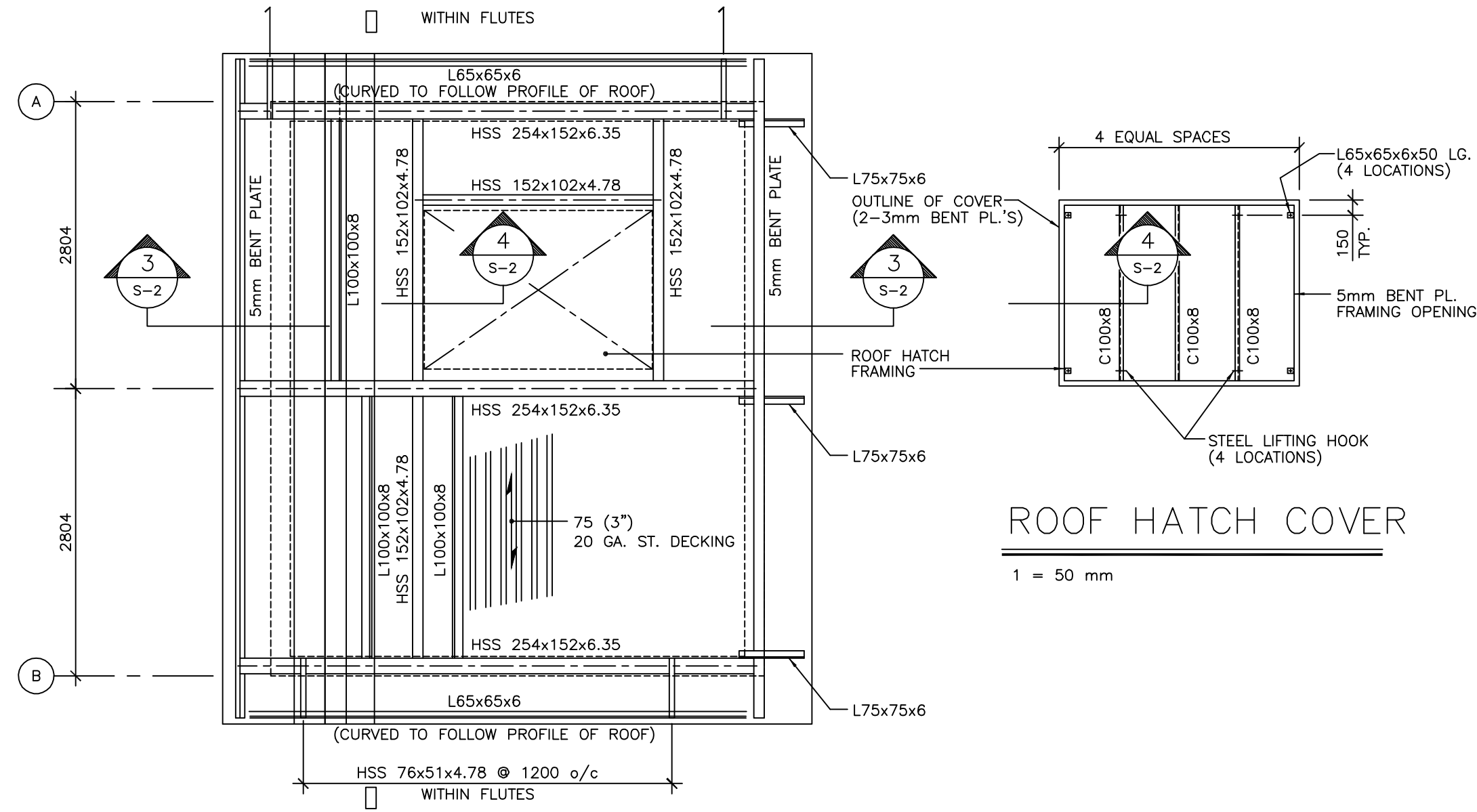
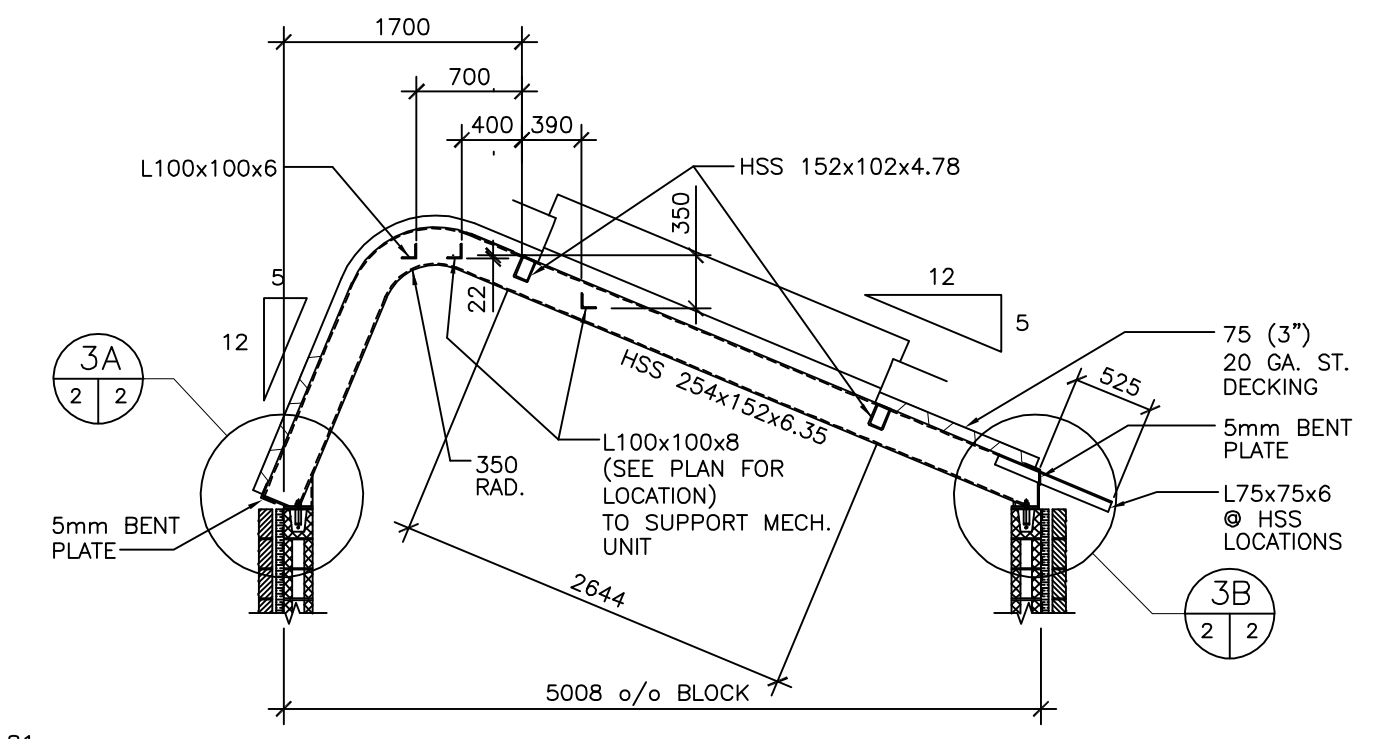


1 PLAN - T/O PRECAST WALL AND FRAME
1 = 50 mm

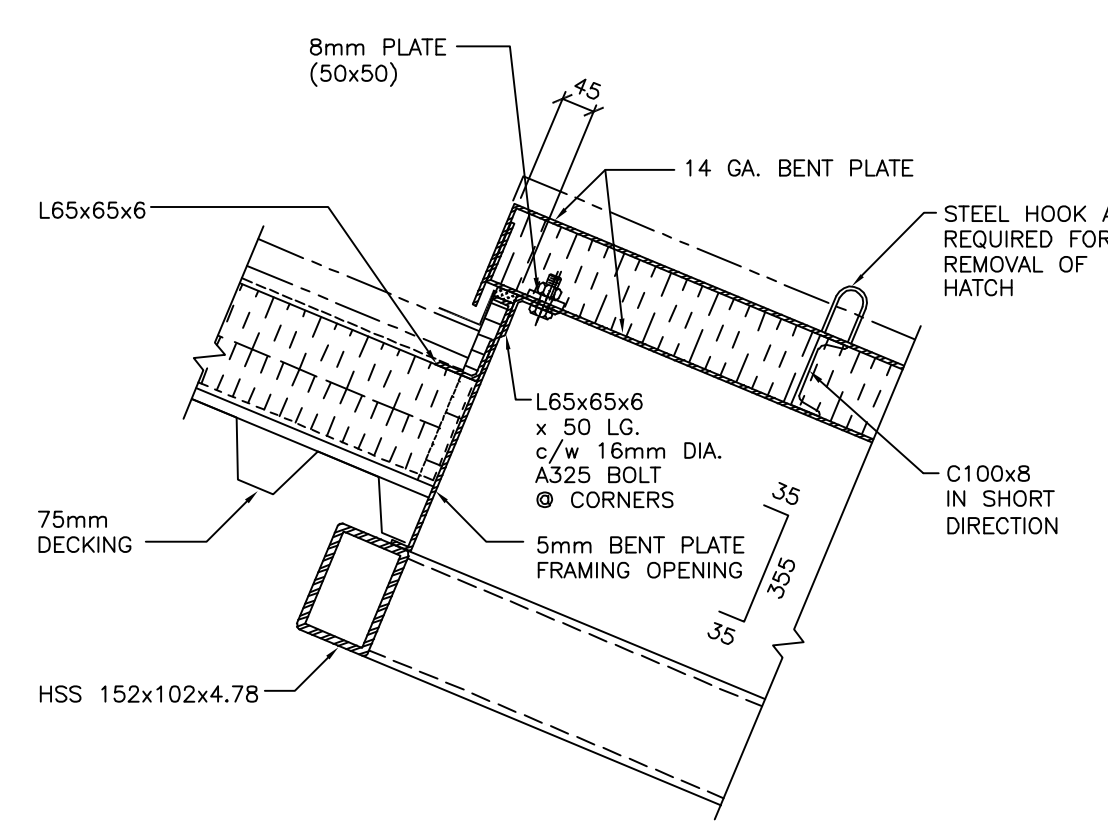


2 PLAN - ROOF FRAMING
1 = 50 mm

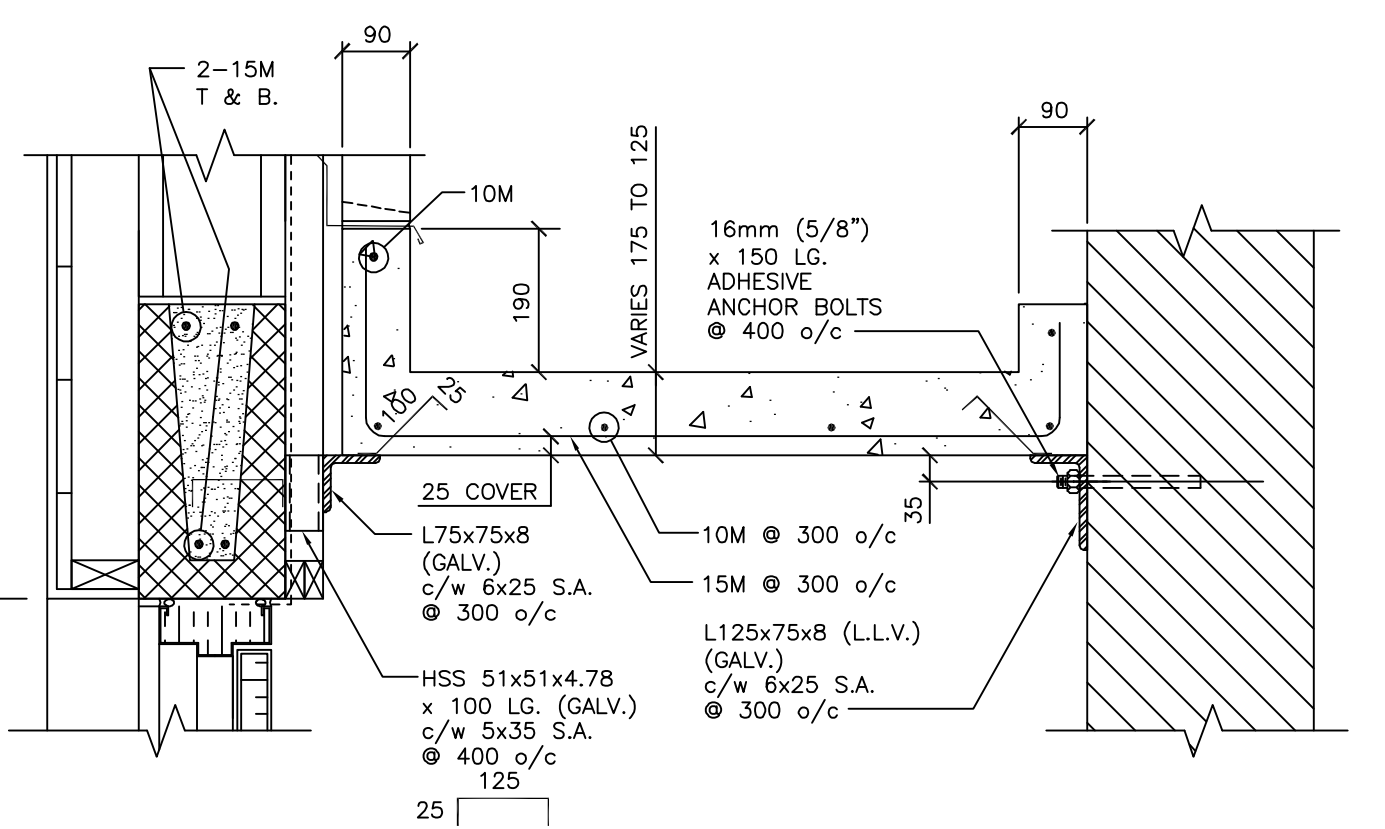
ROOF HATCH COVER
1 = 50 mm



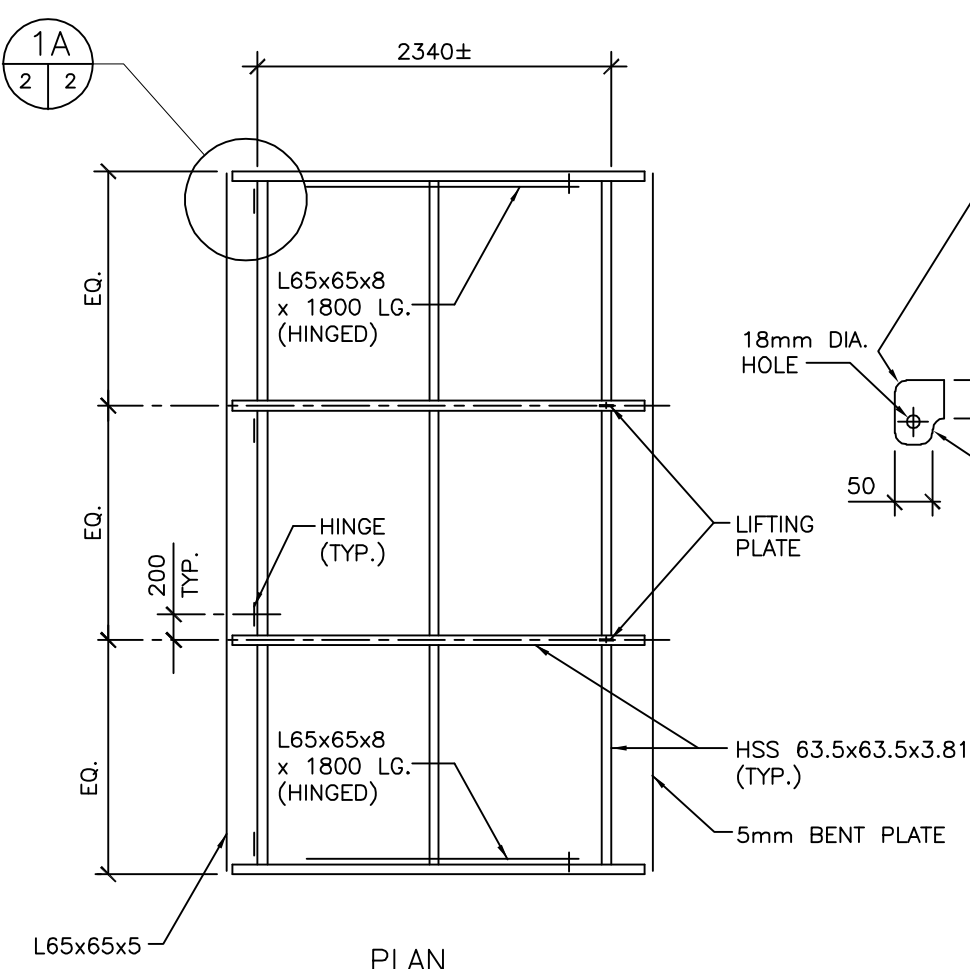
3 CROSS SECTION
1 = 50 mm



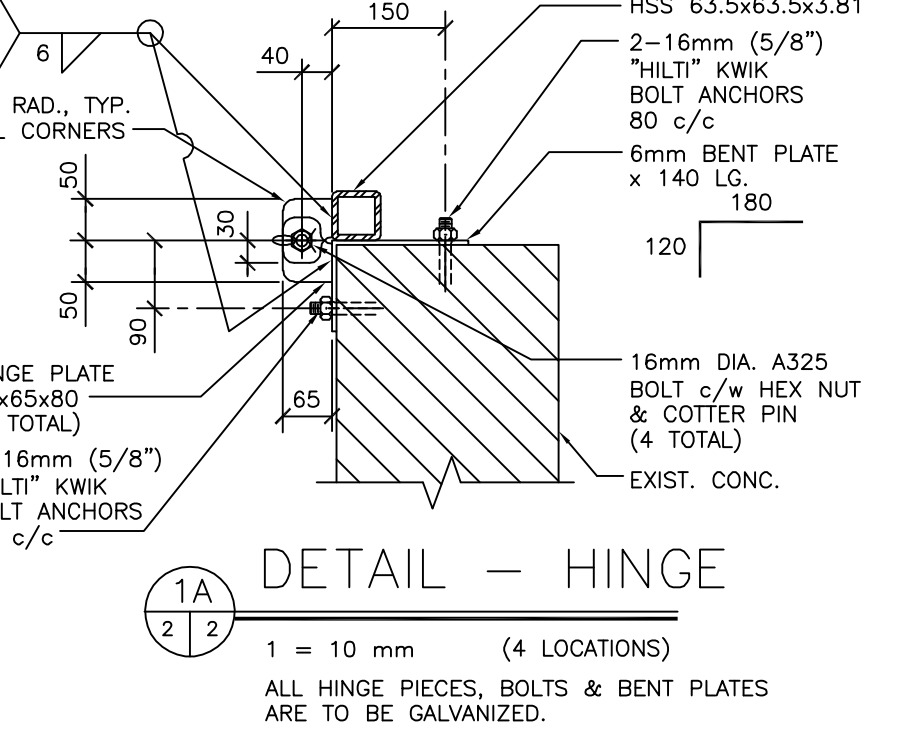
4 SECTION
1 = 10 mm



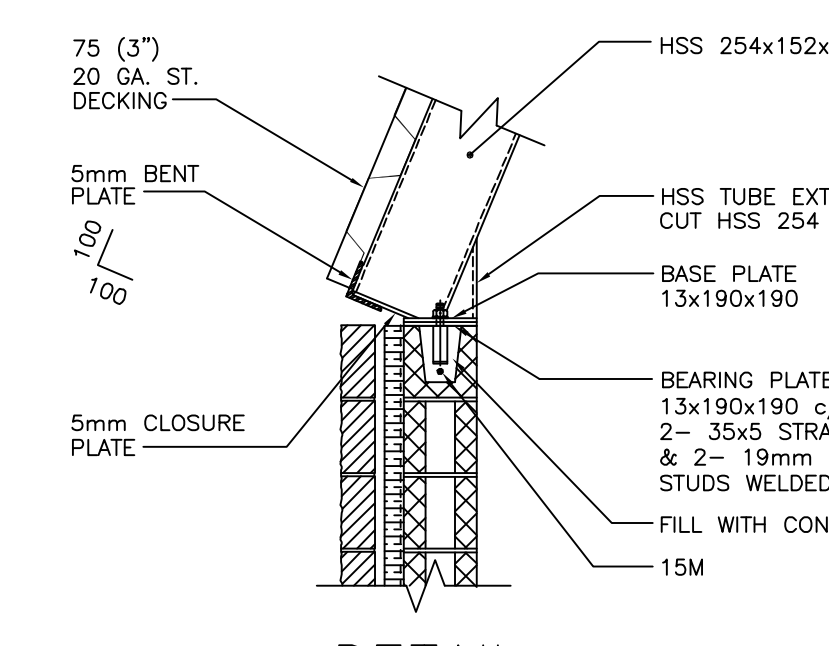
5 SECTION
1 = 10 mm



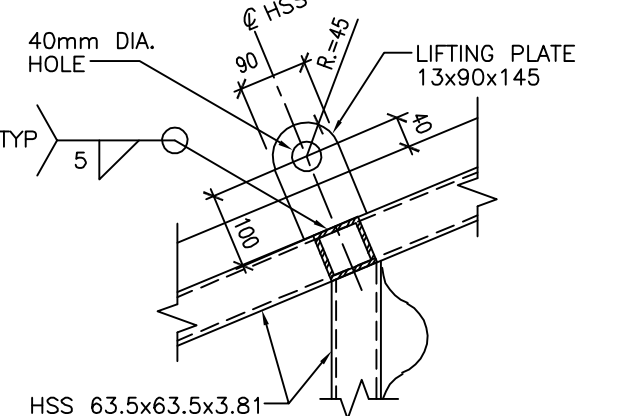
1A PLAN
1 = 50 mm



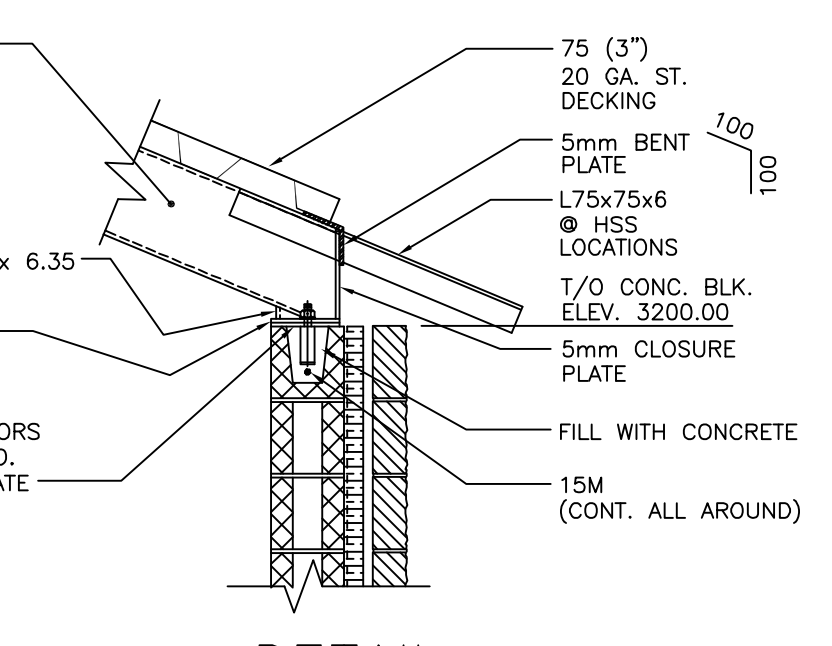
1A DETAIL - HINGE
1 = 10 mm (4 LOCATIONS)
ALL HINGE PIECES, BOLTS & BENT PLATES ARE TO BE GALVANIZED.



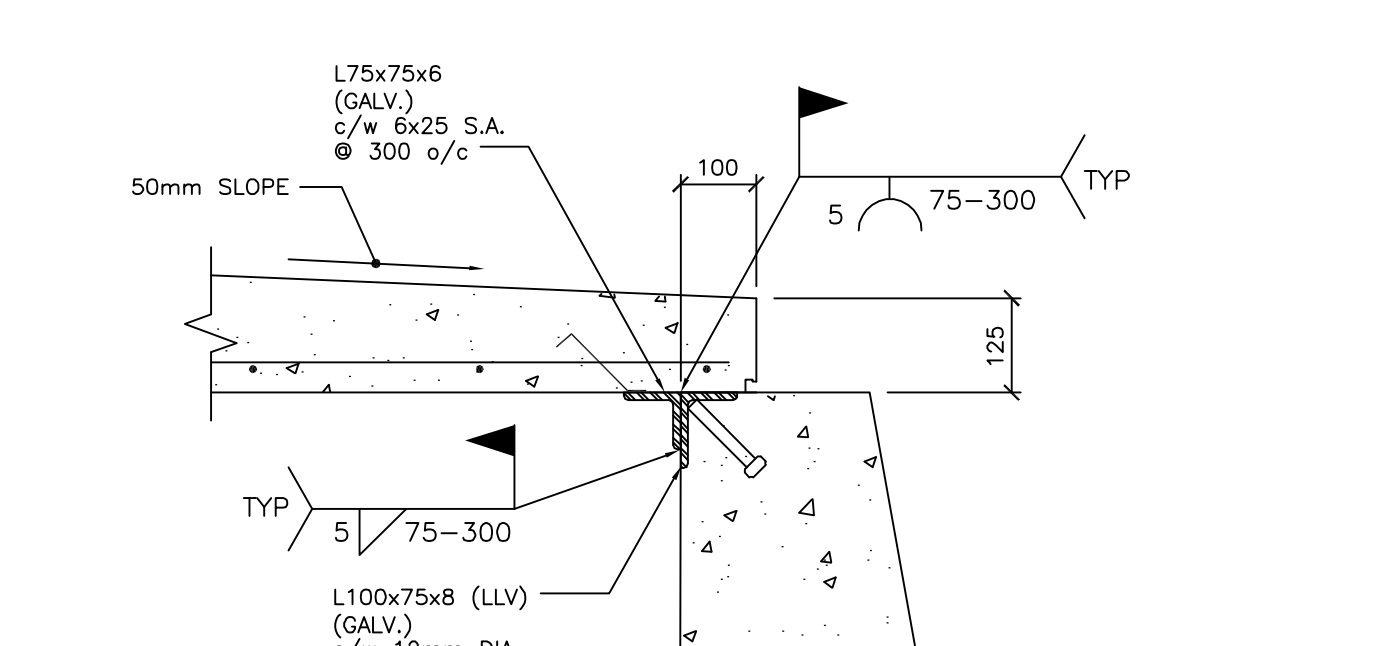
3A DETAIL
1 = 20 mm



1C DETAIL - LIFTING PL.
1 = 10 mm (2 LOCATIONS)



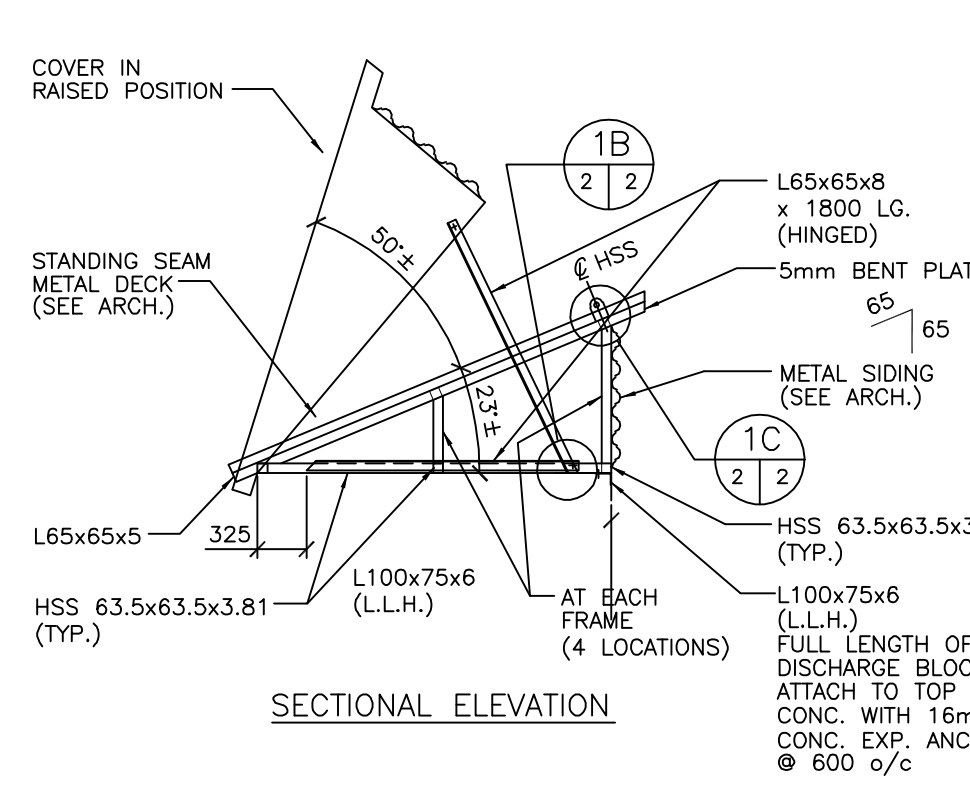
3B DETAIL
1 = 20 mm



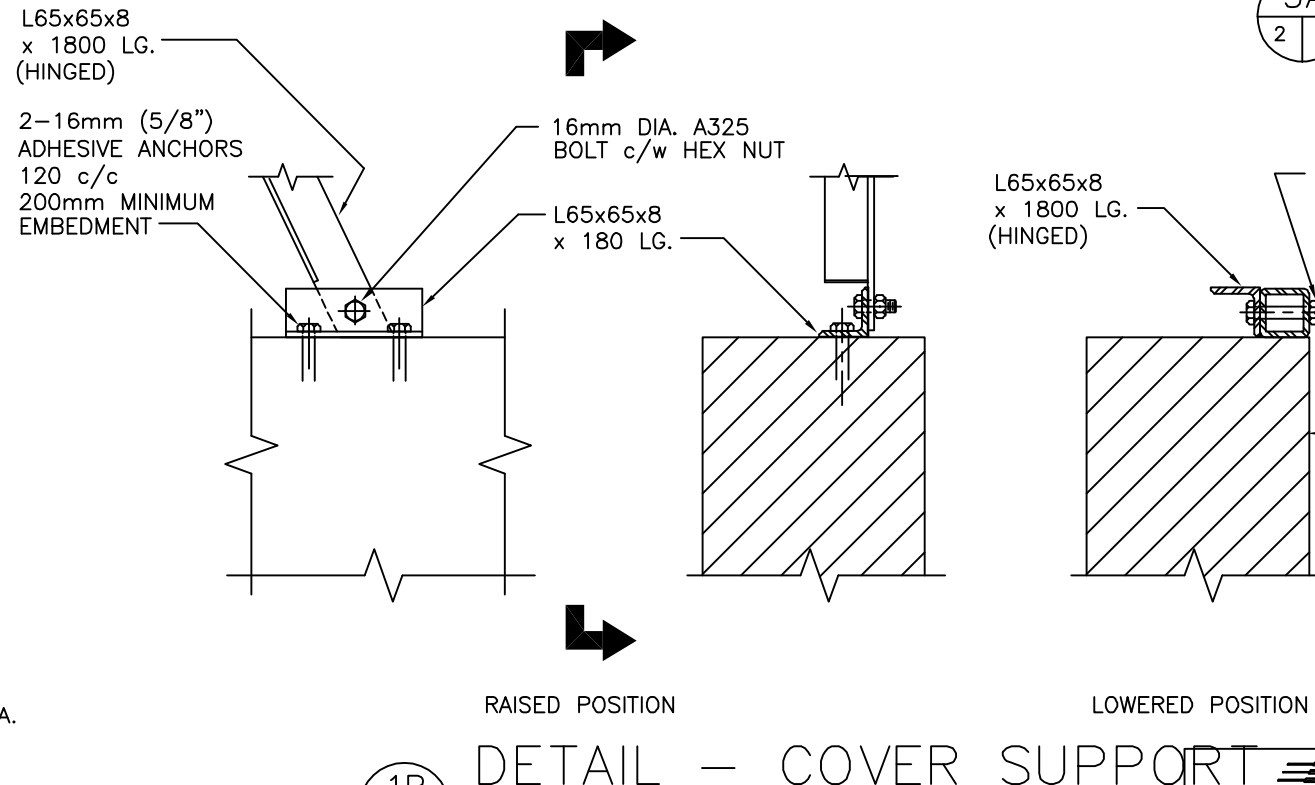
6 SECTION
1 = 10 mm

METRIC
WHOLE NUMBERS INDICATE MILLIMETRES
DECIMALIZED NUMBERS INDICATE METRES

WARNING
IF POWER EQUIPMENT OR EXPLOSIVES ARE TO BE USED FOR EXCAVATION ON THIS PROJECT THE CONTRACTOR MUST:
1) NOTIFY THE GAS COMPANY OF THE PROPOSED LOCATION OF EXCAVATION.
2) TAKE PRECAUTION TO AVOID DAMAGE TO GAS COMPANY INSTALLATIONS.
SEE PROVINCIAL REGULATION 210/72 FOR DETAILS



1 DETAIL - DISCHARGE BLOCK COVER AND FRAME
1 = 50 mm
FOR ALTERNATE FLAT ROOF COVER SEE DETAIL 5, DWG. 'S3'.



1B DETAIL - COVER SUPPORT
1 = 10 mm

B.M. ELEV.					
POSTED TO LBS					
DESIGNED BY	RJL	CHECKED BY	RJL		
DRAWN BY	JHF	APPROVED BY			
		RELEASED FOR CONSTRUCTION			
0 ISSUED FOR TENDER	22.06.04	RJL	VERTICAL	AS NOTED	
ND. REVISIONS	DATE	BY	DATE	2004 03 03	

APEGM
Certificate of Authorization
KGS Group
No. 245 Expiry: April 30, 2005

Starlec
KGS GROUP
CONSULTING ENGINEERS & PROJECT MANAGERS
1000, rue-100
Montréal, Québec H2Z 1S5
514-392-2225

ENGINEER'S SEAL
R.J. LONG
REGISTERED PROFESSIONAL ENGINEER

BID OPP: 244-2004
FILENAME: -

THE CITY OF WINNIPEG
WATER AND WASTE DEPARTMENT

GALT FLOOD PUMPING STATION REDEVELOPMENT

PLANS, SECTIONS AND DETAILS

SHEET 2 OF 3
CONSULTANT DRAWING NUMBER S2
CITY DRAWING NUMBER LD-3022