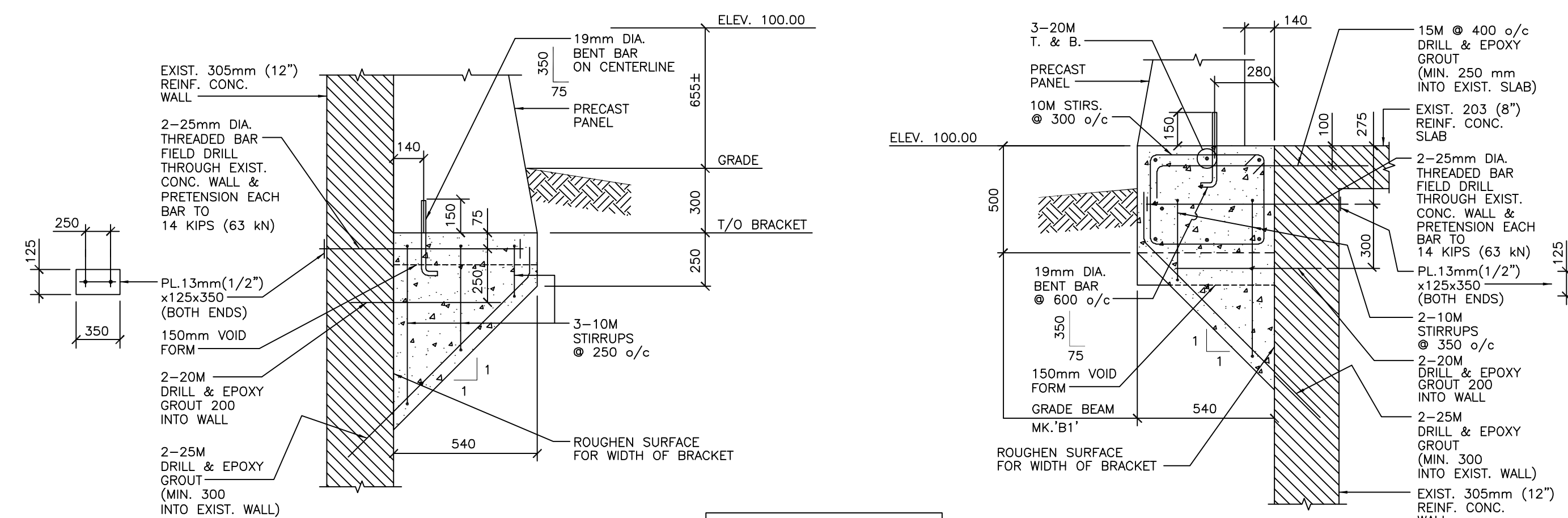


NOTE:  
SEE ARCHITECTURAL DWGS.  
FOR PIT COVER DETAILS.  
PIT COVER PLATES TO BE  
6mm ALUMINUM CHKD. PL.  
c/w 75x50x6 STIFF. ANGLS.  
PERIMETER ANGLE AROUND  
EXIST. CONCRETE TO BE  
L75x50x5. ANCHOR TO  
CONCRETE WITH 10mm  
x 125 ANCHORS WELDED  
TO FRAME, AND DRILL &  
EPOXY GROUT TO CONCRETE.

**FLOOR PLAN - EXISTING**  
E.L. 100.0 (EL. 757.0)  
1 = 50 mm



**SECTION 1**  
1 = 20 mm  
CONCRETE BRACKET MK.'BR1' (x350mm WIDE)

**SECTION 2**  
1 = 20 mm  
CONCRETE BRACKET MK.'BR2' (x350mm WIDE)

**SECTION 3**  
1 = 20 mm  
CONCRETE BRACKET MK.'BR5' (2 x 200 WIDE)

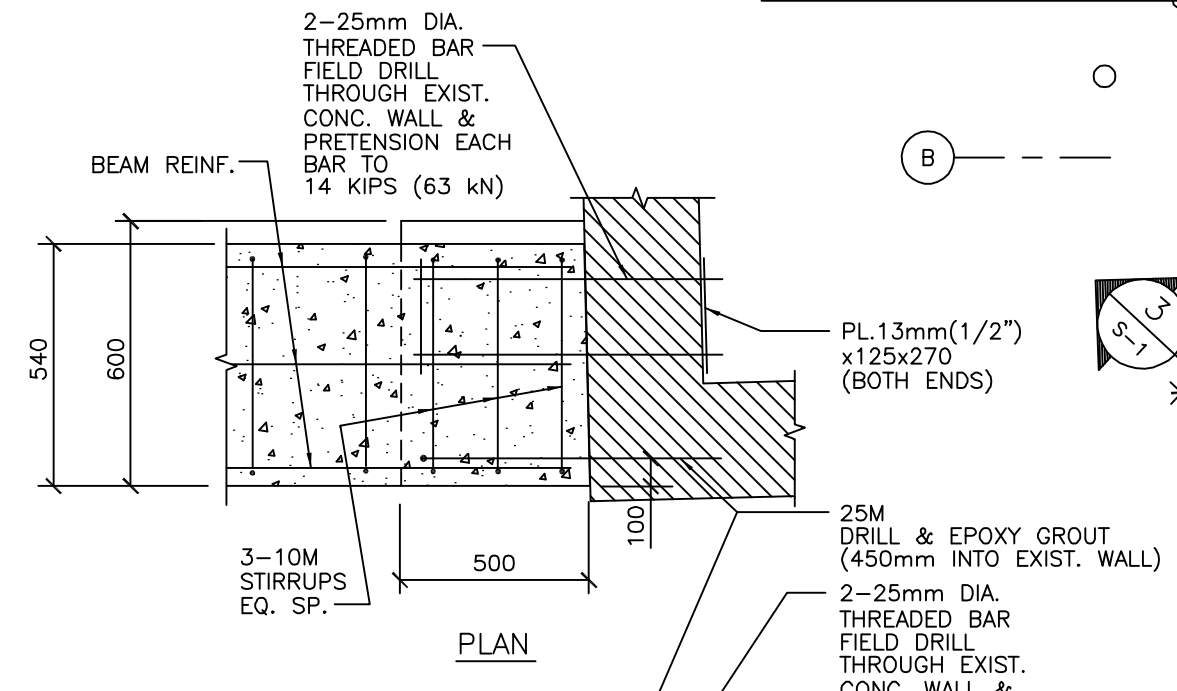
**SECTION 4**  
1 = 20 mm  
CONCRETE BRACKET MK.'BR6'

**SECTION 5**  
1 = 20 mm  
CONCRETE BRACKET MK.'BR3' (x350mm WIDE)

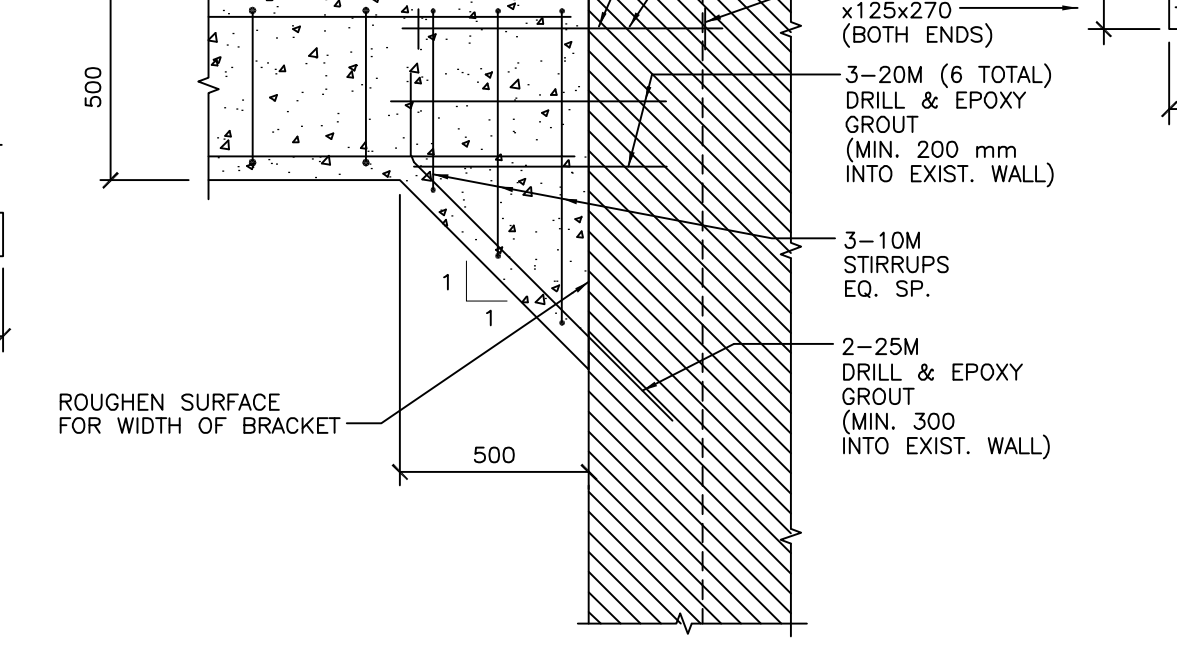
**SECTION 6**  
1 = 20 mm  
CONCRETE BRACKET MK.'BR4'

**SECTION 7**  
1 = 20 mm  
CONCRETE BRACKET MK.'BR3'

NOTE:  
CONCRETE BRACKETS AND BEAMS  
SHALL BE POURED MONOLITHIC.



**PLAN**  
ELEV. 100.00

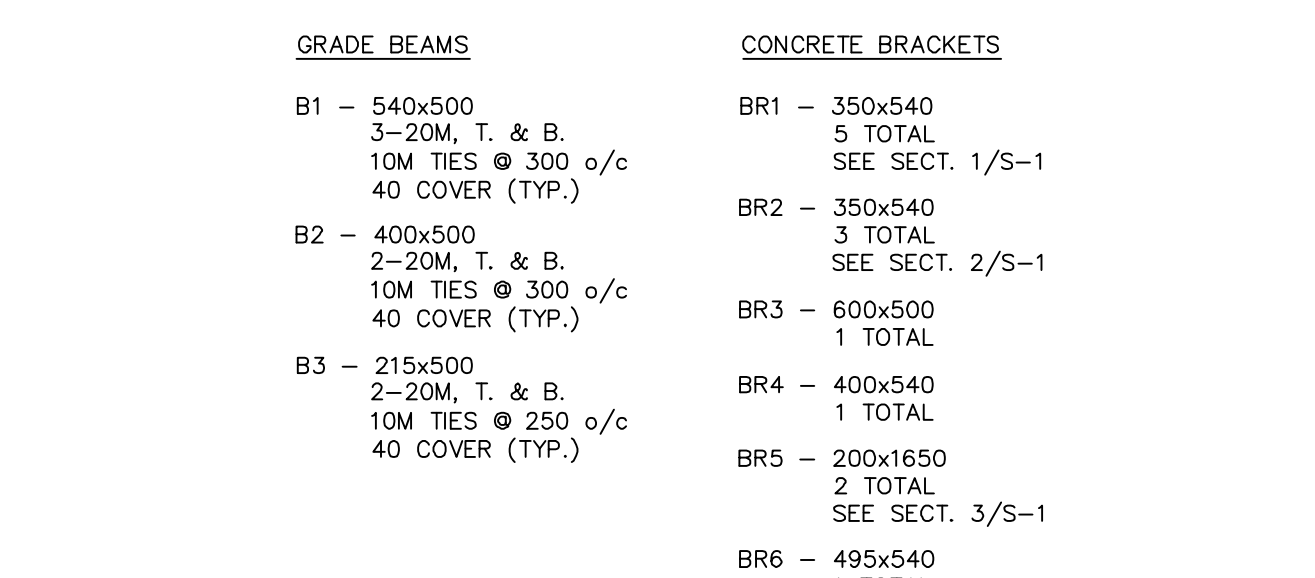


**SECTION 5**  
1 = 20 mm  
CONCRETE BRACKET MK.'BR3' (x350mm WIDE)

**SECTION 6**  
1 = 20 mm  
CONCRETE BRACKET MK.'BR4'

**SECTION 7**  
1 = 20 mm  
CONCRETE BRACKET MK.'BR3'

**FOUNDATION PLAN - NEW**  
E.L. 100.0 (EL. 757.0)  
1 = 50 mm



**SECTION 1**  
1 = 20 mm  
CONCRETE BRACKET MK.'BR1'

**SECTION 2**  
1 = 20 mm  
CONCRETE BRACKET MK.'BR2'

**SECTION 3**  
1 = 20 mm  
CONCRETE BRACKET MK.'BR5'

**SECTION 4**  
1 = 20 mm  
CONCRETE BRACKET MK.'BR6'

**SECTION 5**  
1 = 20 mm  
CONCRETE BRACKET MK.'BR3'

**SECTION 6**  
1 = 20 mm  
CONCRETE BRACKET MK.'BR4'

**SECTION 7**  
1 = 20 mm  
CONCRETE BRACKET MK.'BR3'

- GRADE BEAMS**
- B1 - 540x500  
3-20M, T. & B.  
10M TIES @ 300 o/c  
40 COVER (TYP.)
  - B2 - 400x500  
2-20M, T. & B.  
10M TIES @ 300 o/c  
40 COVER (TYP.)
  - B3 - 215x500  
2-20M, T. & B.  
10M TIES @ 250 o/c  
40 COVER (TYP.)
- CONCRETE BRACKETS**
- BR1 - 350x540  
5 TOTAL  
SEE SECT. 1/S-1
  - BR2 - 350x540  
3 TOTAL  
SEE SECT. 2/S-1
  - BR3 - 600x500  
1 TOTAL
  - BR4 - 400x540  
1 TOTAL
  - BR5 - 200x1650  
2 TOTAL  
SEE SECT. 3/S-1
  - BR6 - 495x540  
1 TOTAL  
SEE SECT. 4/S-1
  - BR7 - 350x400  
1 TOTAL  
(SIM. TO 'BR1')
  - BR8 - 275x540  
1 TOTAL  
(SIM. TO 'BR6')
  - BR9 - 200x540  
2 TOTAL  
(SIM. TO 'BR6')

**METRIC**  
WHOLE NUMBERS INDICATE MILLIMETRES  
DECIMALIZED NUMBERS INDICATE METRES

**WARNING**  
IF POWER EQUIPMENT OR EMPLOYEES ARE TO BE USED  
FOR EXCAVATION ON THIS PROJECT THE CONTRACTOR  
MUST:  
1) NOTIFY THE GAS COMPANY OF THE PROPOSED  
LOCATION OF EXCAVATION.  
2) TAKE PRECAUTION TO AVOID DAMAGE TO GAS  
COMPANY INSTALLATIONS.  
SEE PROVINCIAL REGULATION 210/72 FOR DETAILS

**APEGM**  
Certificate of Authorization  
KGS Group  
No. 245 Expiry: April 30, 2005

BM ELEV.					
POSTED TO LBS					
0	ISSUED FOR TENDER	22.06.04	RUL		
ND	REVISIONS	DATE	BY	DATE	2004 03 03

DESIGNED BY	RJL	CHECKED BY	RJL
DRAWN BY	JHF	APPROVED BY	
AS NOTED		RELEASED FOR CONSTRUCTION	
VERTICAL		DATE	

ENGINEER'S SEAL	
R.J. LONG	
BID OPP.	244-2004
FILENAME	-

**Startec**  
CONSULTING ENGINEERS & PROJECT MANAGERS  
100, 100-100  
WINNIPEG, MB R2T 2K5  
PHONE: (204) 546-2225

**Winnipeg**  
THE CITY OF WINNIPEG  
WATER AND WASTE DEPARTMENT

**GALT FLOOD PUMPING STATION REDEVELOPMENT**  
FLOOR PLANS

SHEET 1 OF 3  
CONSULTANT DRAWING NUMBER S1  
CITY DRAWING NUMBER LD-3021