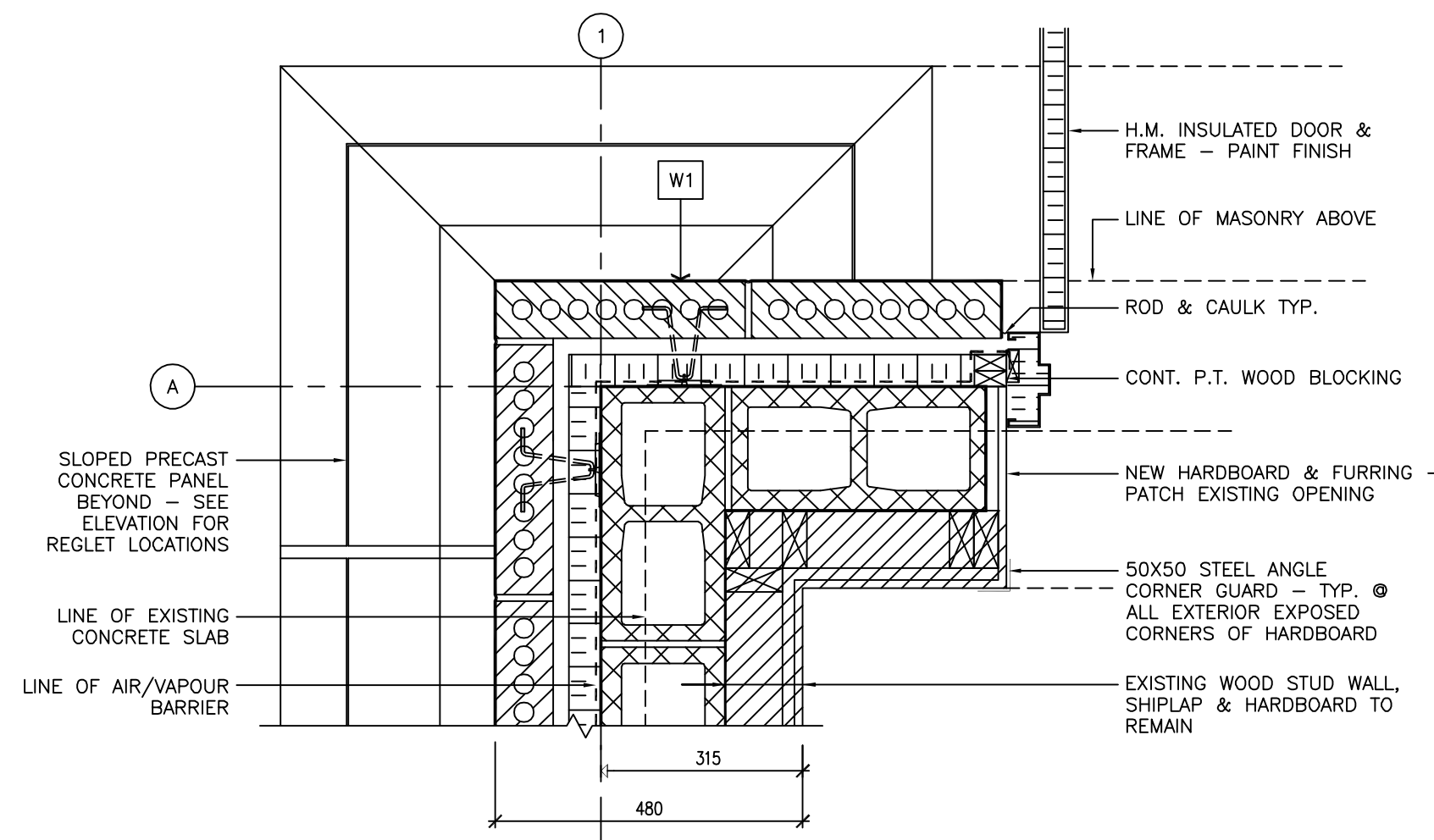
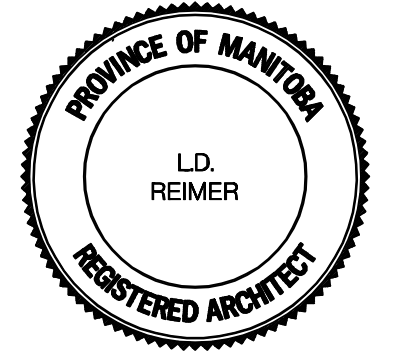


METRIC
WHOLE NUMBERS INDICATE MILLIMETRES
DECIMALIZED NUMBERS INDICATE METRES

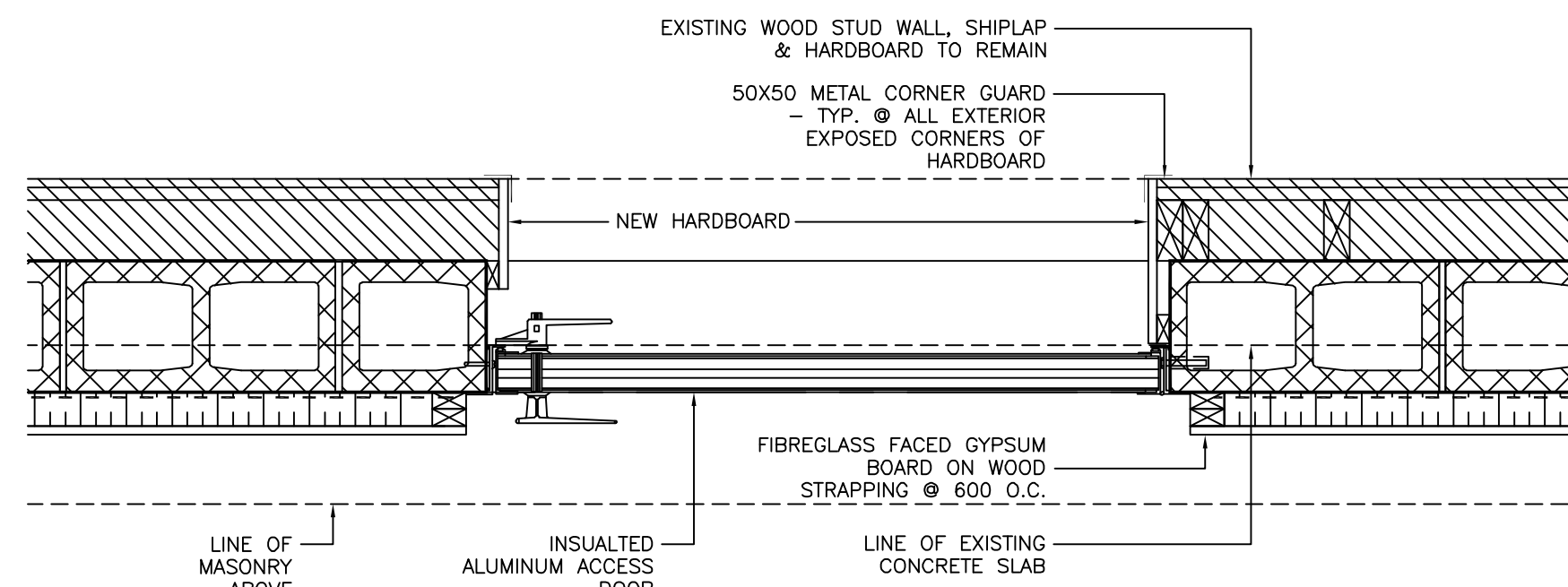
WARNING

IF POWER EQUIPMENT OR EXPLOSIVES ARE TO BE USED FOR EXCAVATION ON THIS PROJECT THE CONTRACTOR MUST:
1) NOTIFY THE GAS COMPANY OF THE PROPOSED LOCATION OF EXCAVATION.
2) TAKE PRECAUTION TO AVOID DAMAGE TO GAS COMPANY INSTALLATIONS.
SEE PROVINCIAL REGULATION 210/72 FOR DETAILS



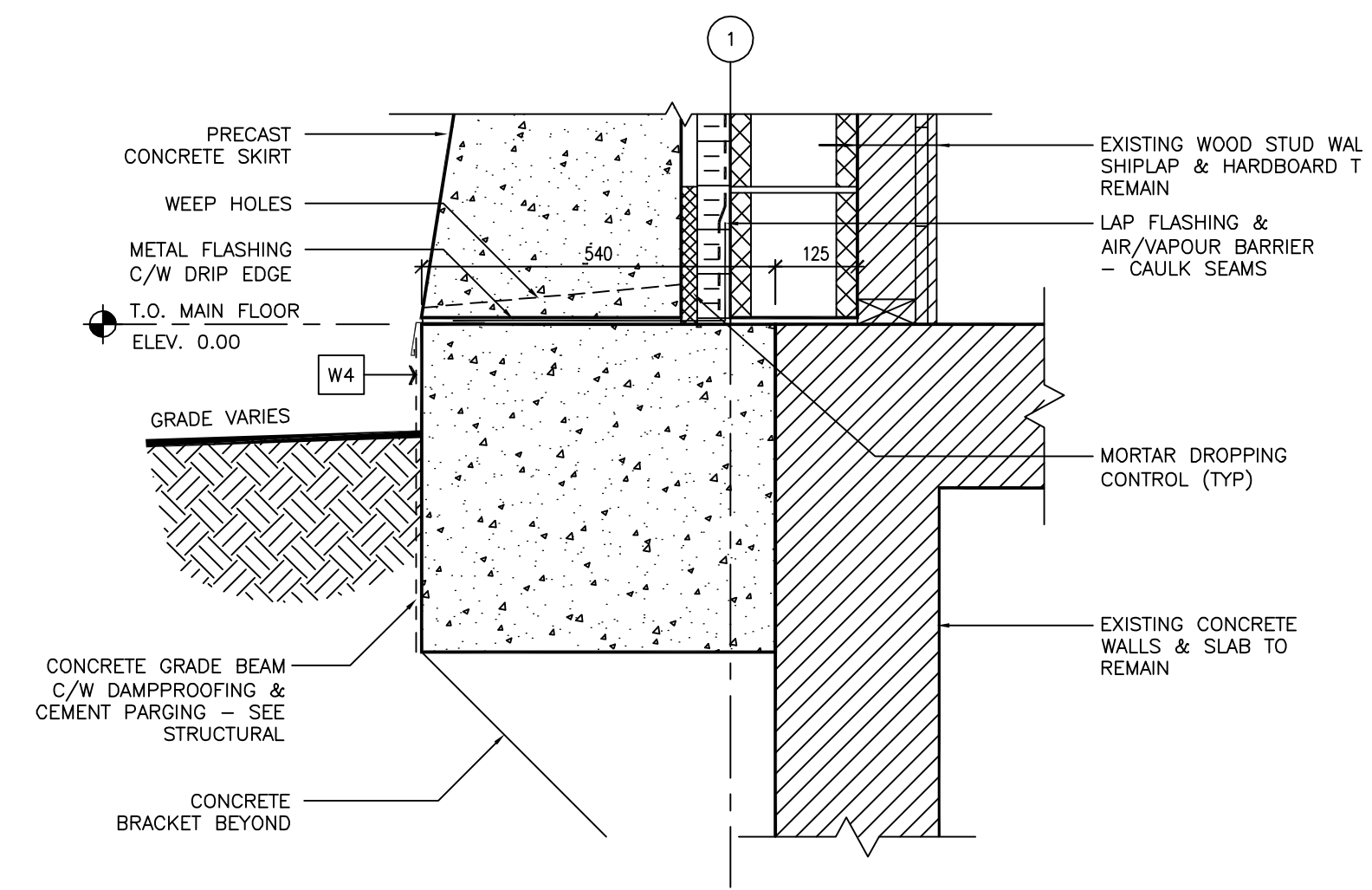
1 PLAN DETAIL

SCALE 1:10



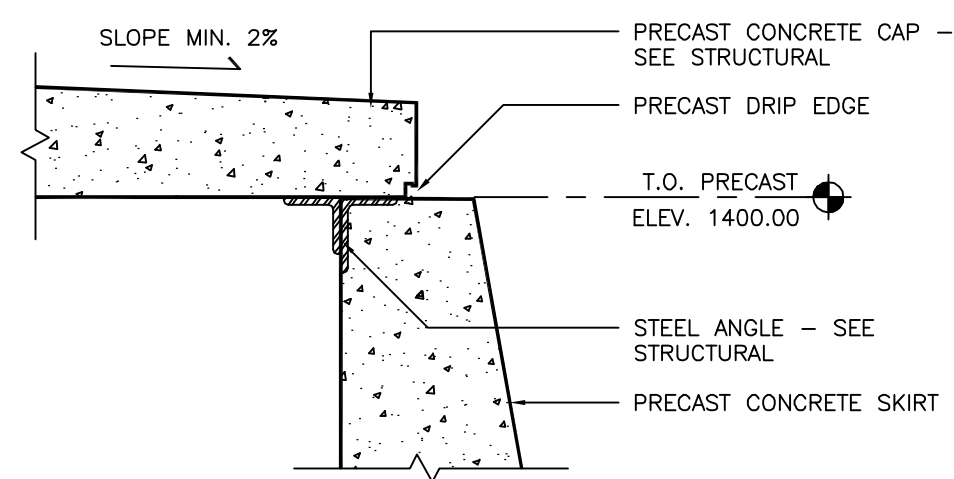
2 ACCESS DOOR PLAN DETAIL

SCALE 1:10



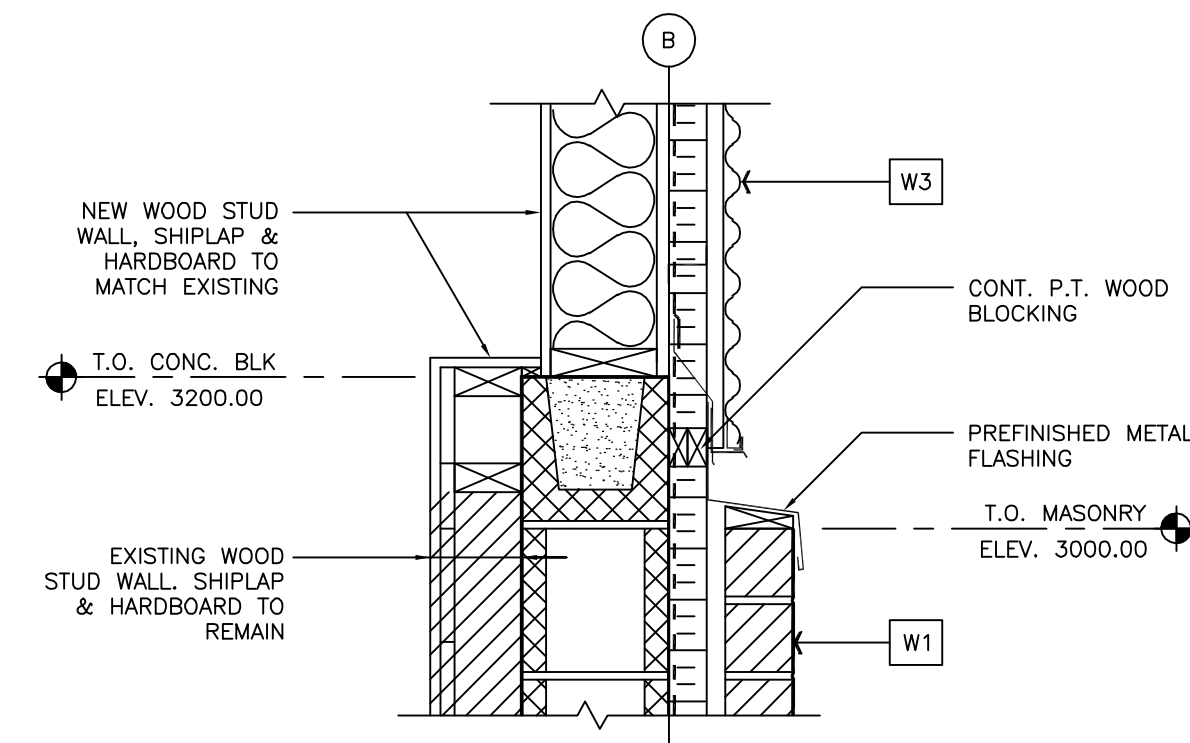
3 GRADE BEAM DETAIL

SCALE 1:10



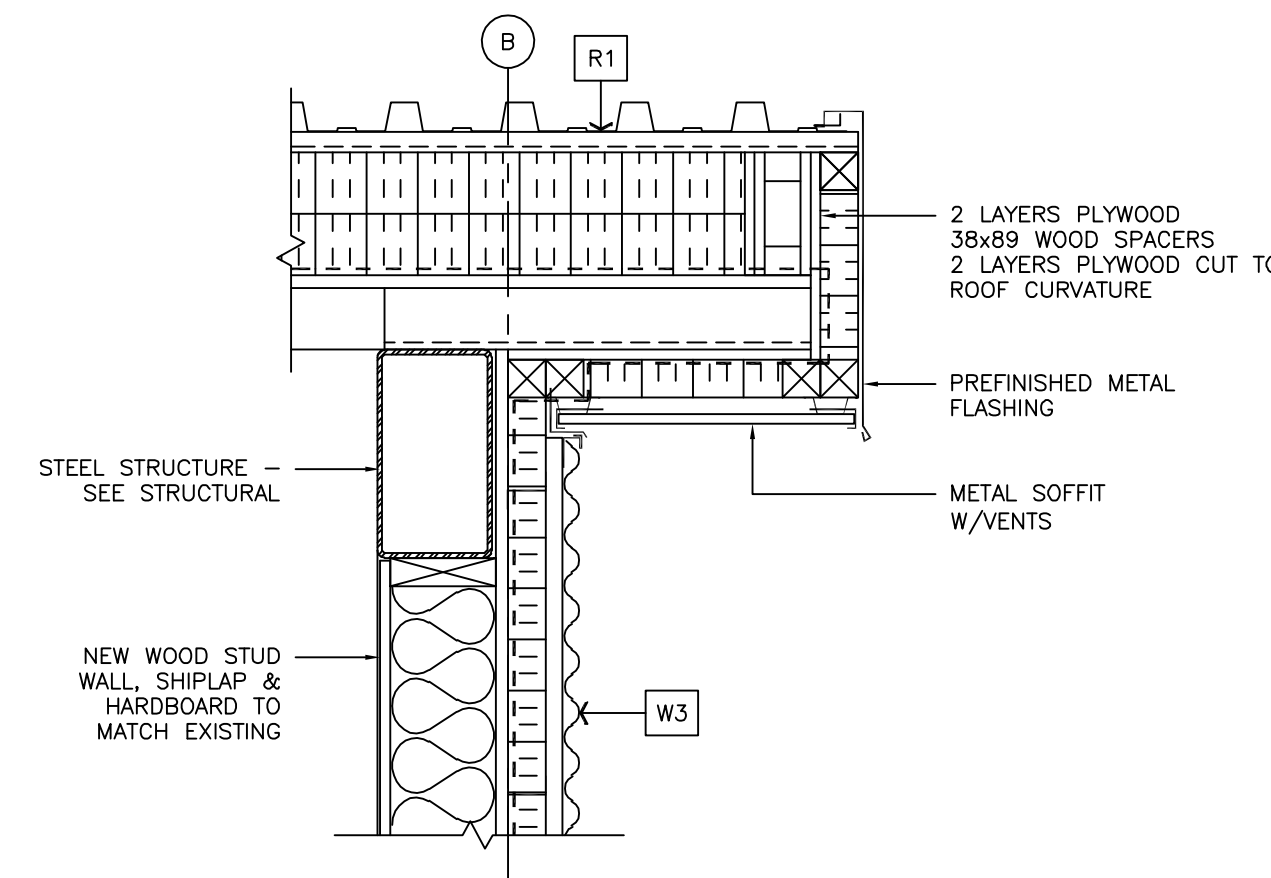
4 CONC. CAP DETAIL

SCALE 1:10



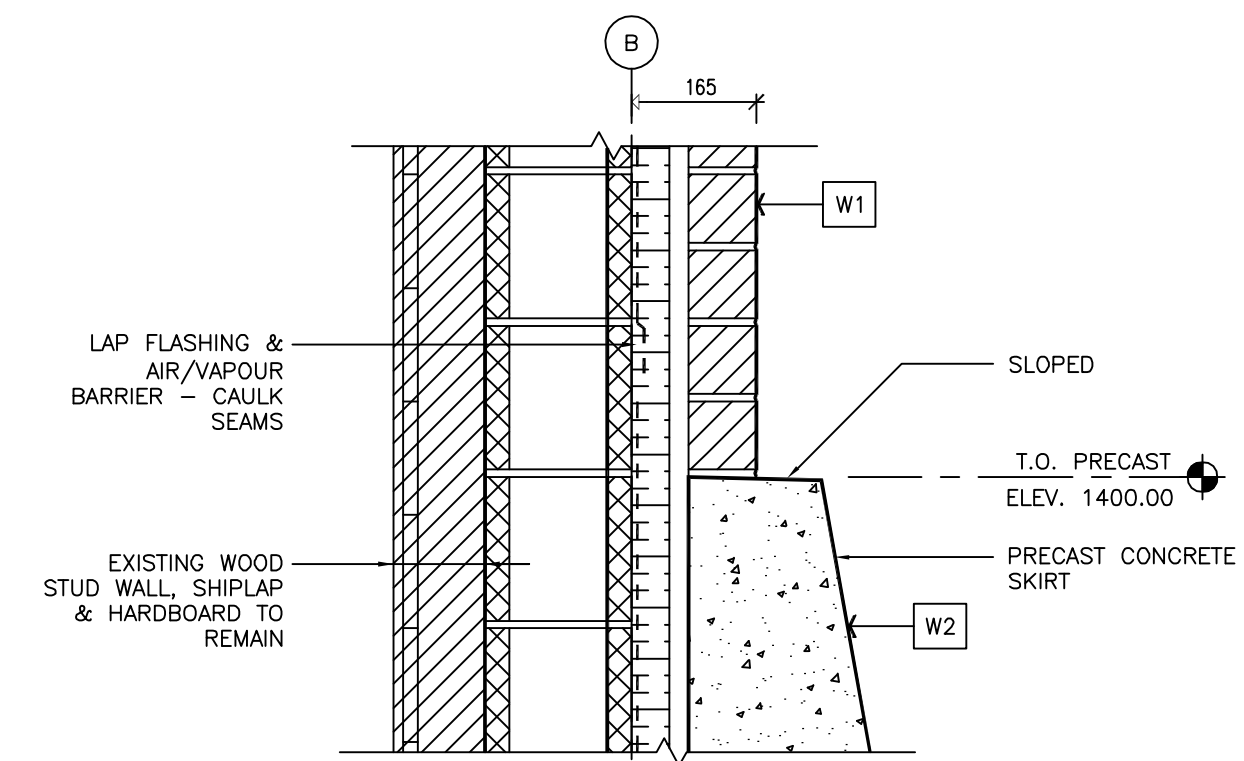
5 WALL SECTION DETAIL

SCALE 1:10



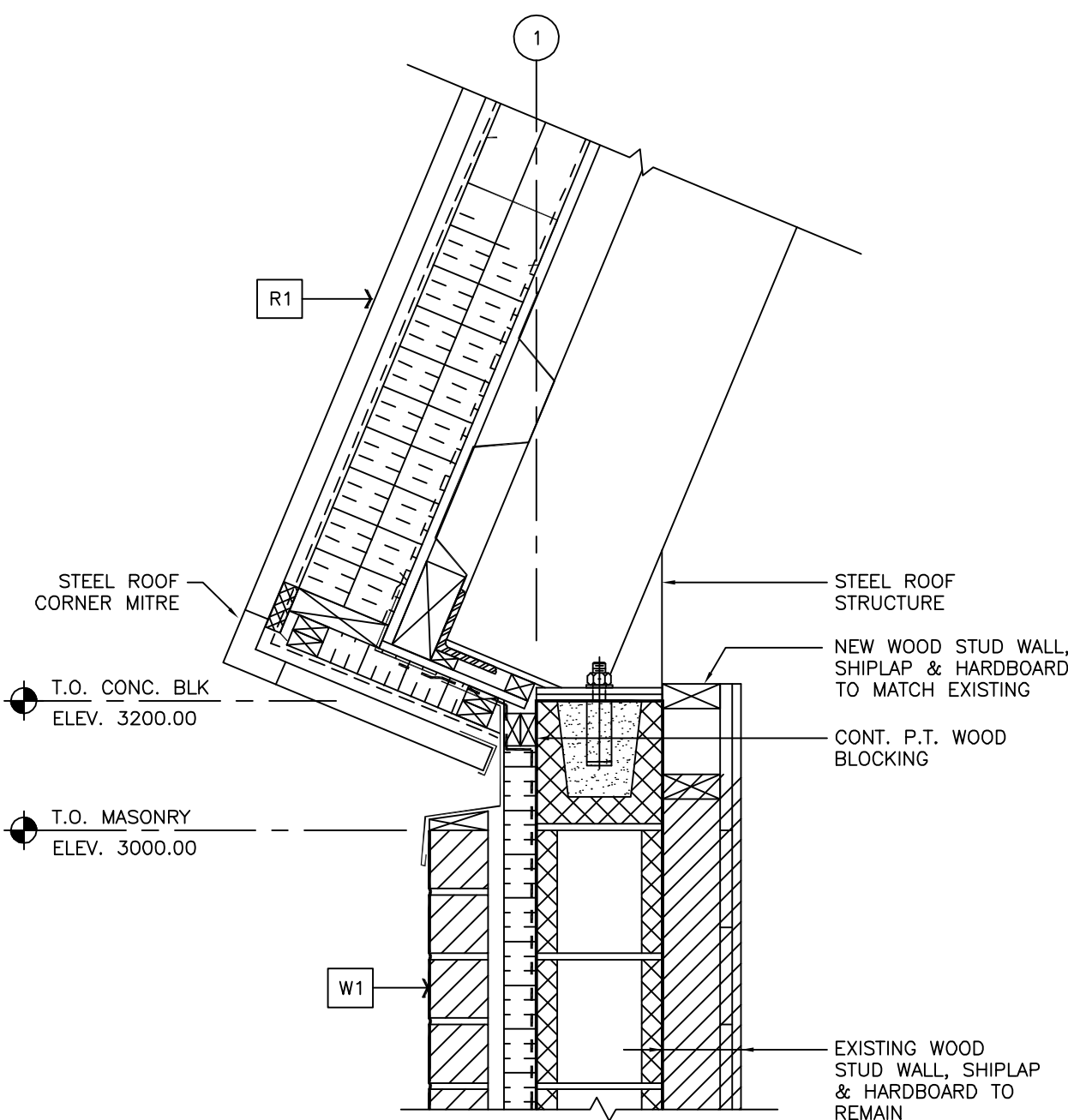
6 ROOF SECTION DETAIL

SCALE 1:10



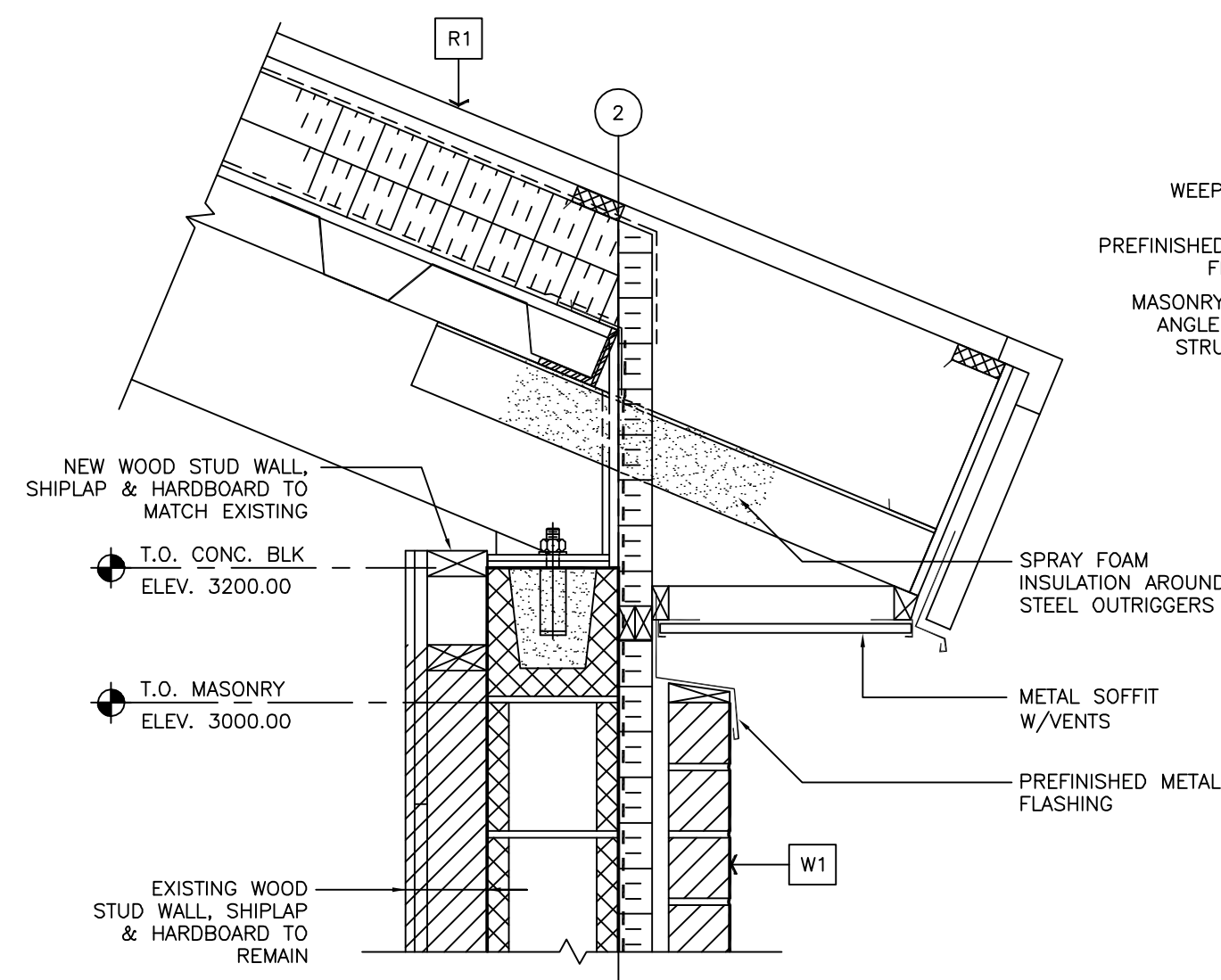
7 WALL SECTION DETAIL

SCALE 1:10



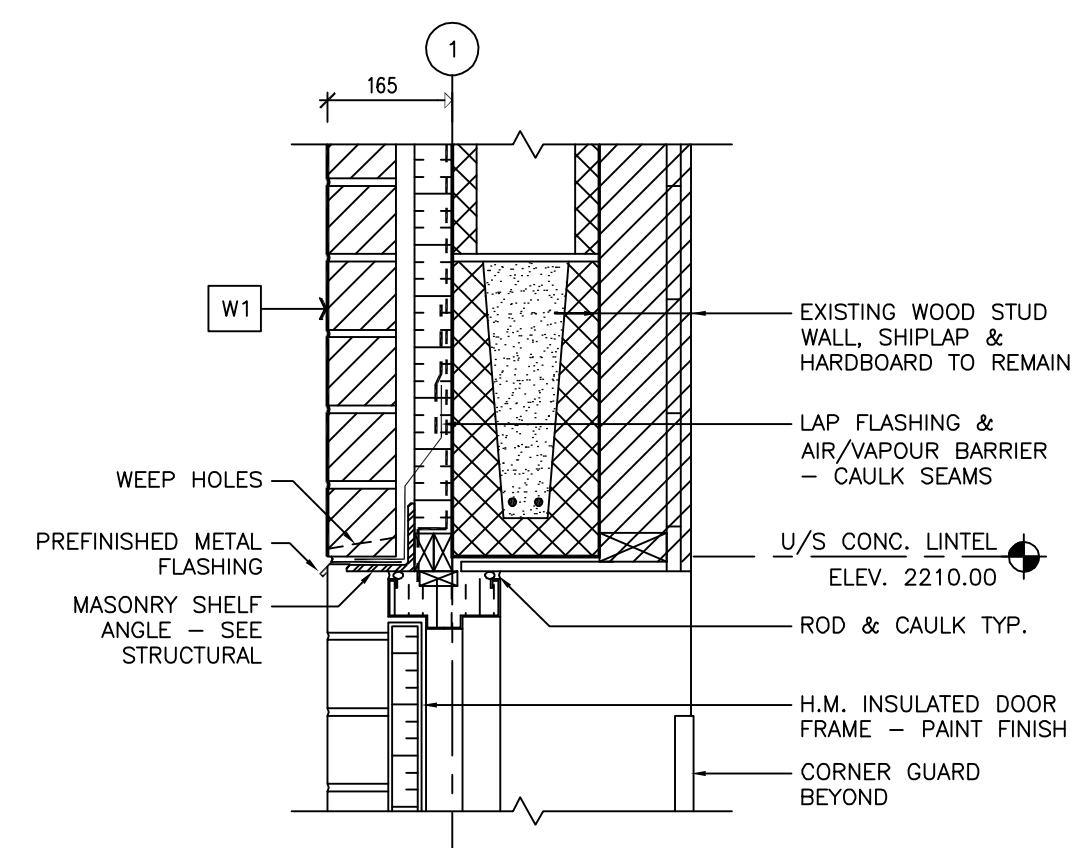
8 ROOF SECTION DETAIL

SCALE 1:10



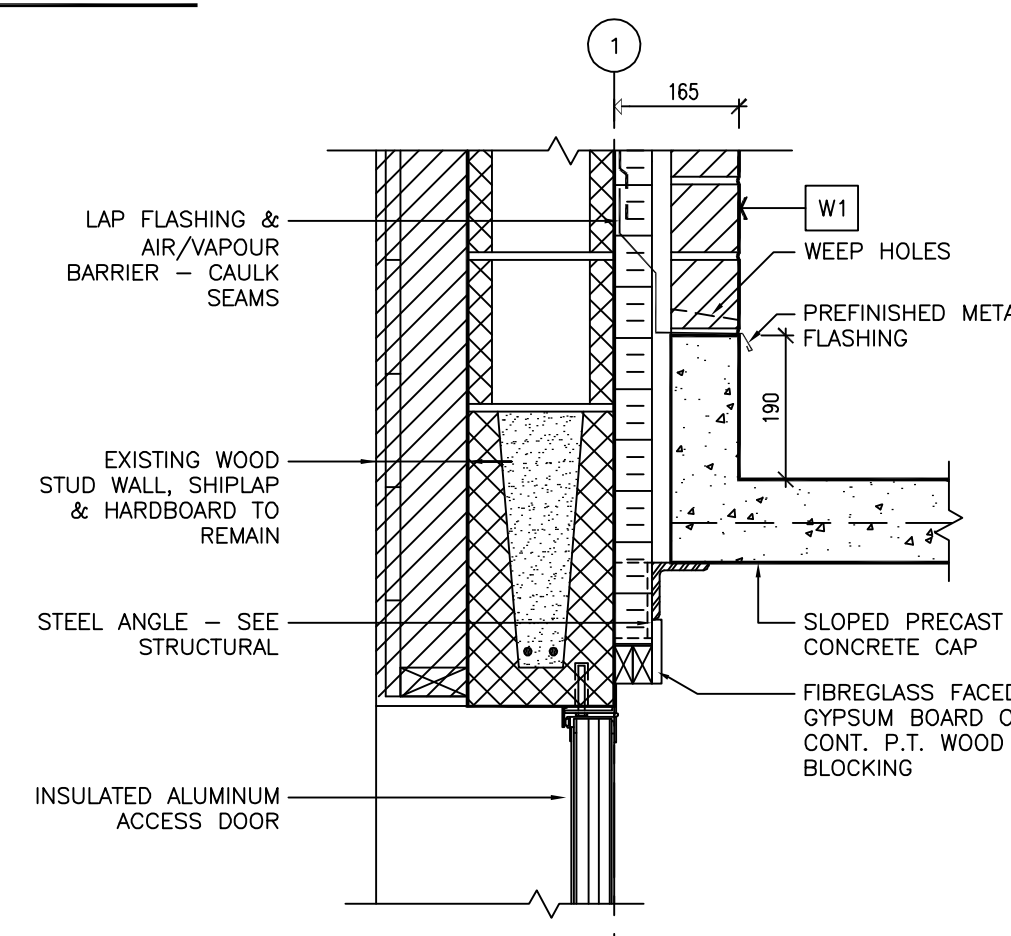
9 ROOF SECTION DETAIL

SCALE 1:10



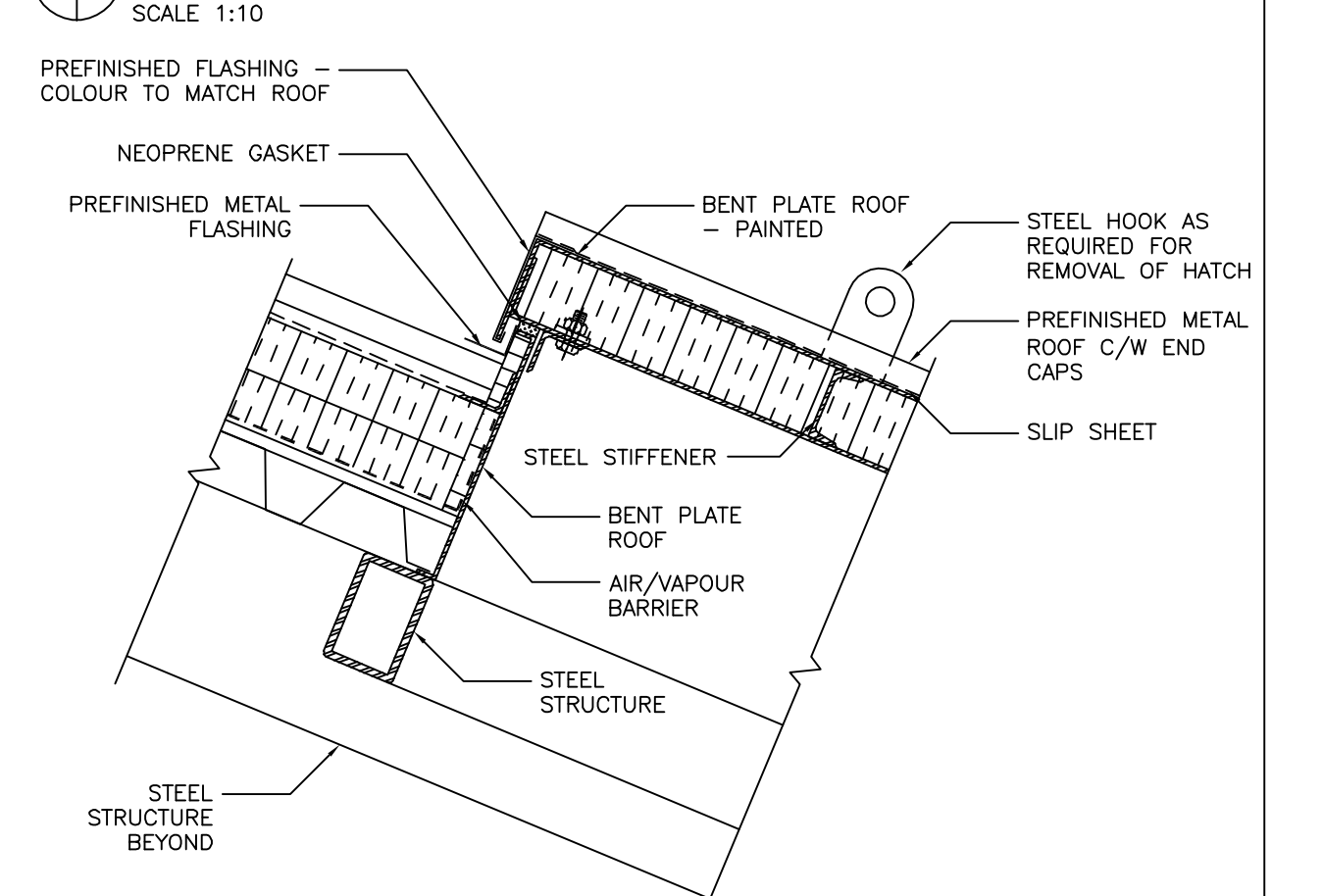
10 DOOR LINTEL DETAIL

SCALE 1:10



11 HATCH LINTEL DETAIL

SCALE 1:10



12 ROOF HATCH DETAIL

SCALE 1:10

B.M. ELEV.			
POSTED TO LBIS			
DESIGNED BY	JP	CHECKED BY	SHN
DRAWN BY	SHN	APPROVED BY	
4 ISSUED FOR TENDER	04.06.28	SHN	
3 ISSUED FOR CLIENT REVIEW	04.05.12	SHN	
2 PRE TENDER REVIEW	04.03.18	SHN	
1 -	-	-	
NO. REVISIONS			
DATE	2003 12 03	DATE	

DESIGNED BY	JP
CHECKED BY	SHN
DRAWN BY	SHN
APPROVED BY	
AS NOTED	
RELEASED FOR CONSTRUCTION	
VERTICAL	
DATE	2003 12 03

ENGINEER'S SEAL	
BID OPP.	244-2004
FILENAME	-

THE CITY OF WINNIPEG
WATER AND WASTE DEPARTMENT

GALT FLOOD PUMPING STATION REDEVELOPMENT

DETAILS

SHEET 5 OF 6
CONSULTANT DRAWING NUMBER A5.2
CITY DRAWING NUMBER LD-3019