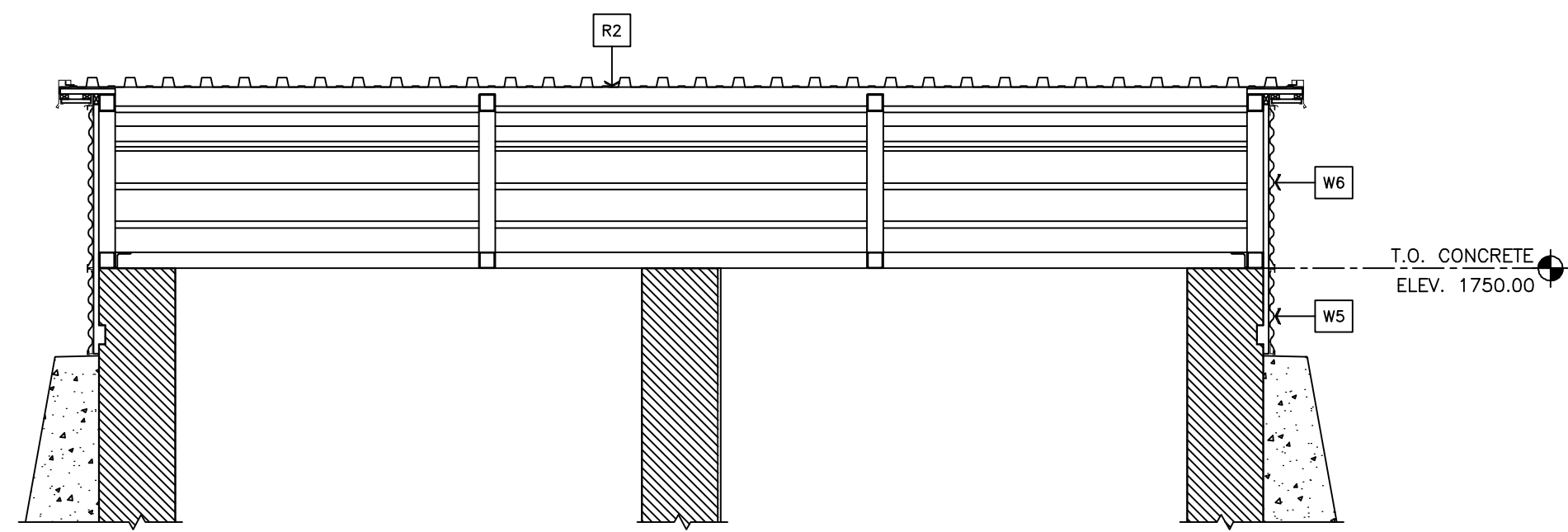
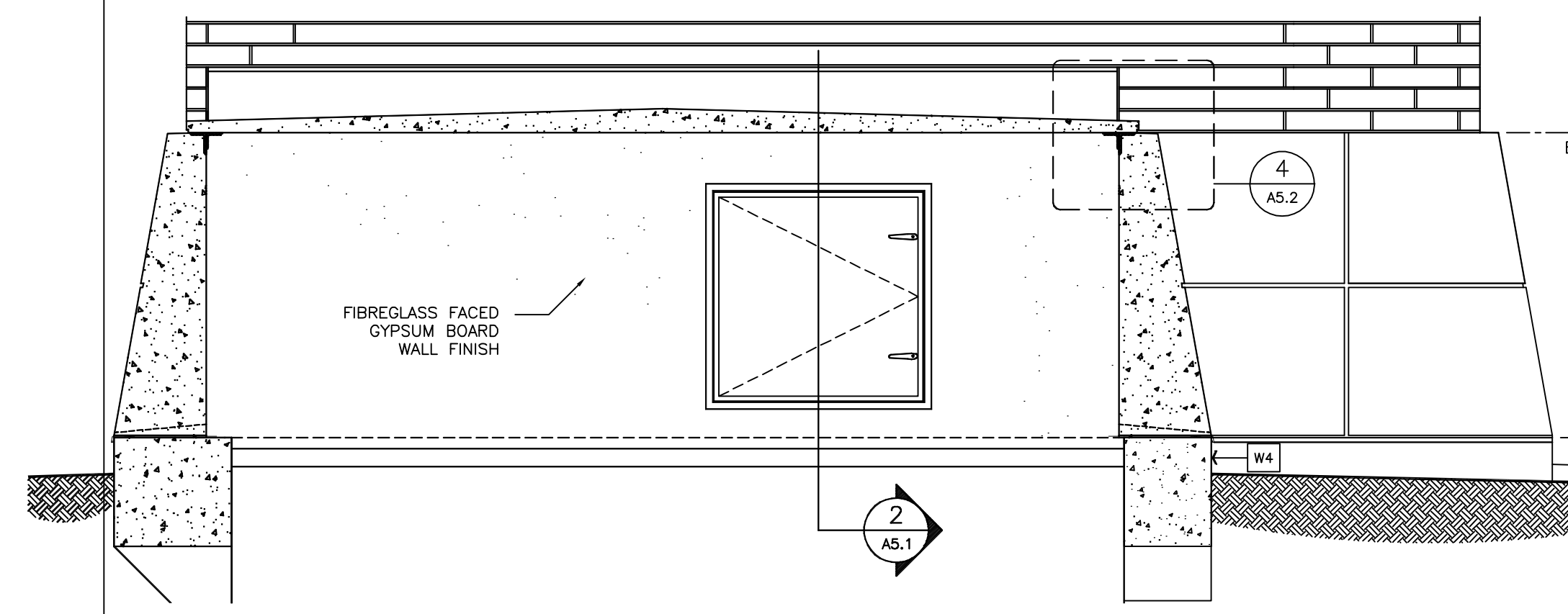


BUILDING SECTION 1
SCALE 1:25

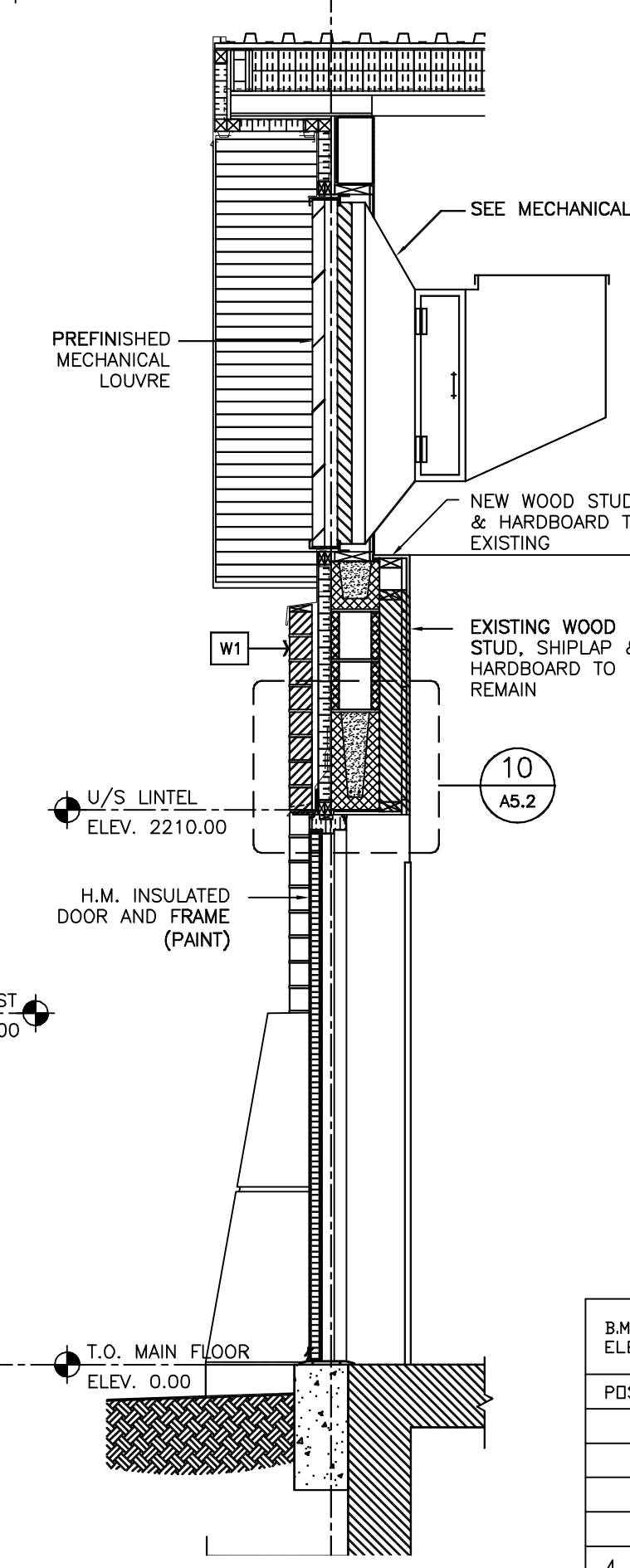
BUILDING SECTION 2
SCALE 1:25



PARTIAL BUILDING SECTION 5
SCALE 1:25



PARTIAL BUILDING SECTION 3
SCALE 1:25



WALL SECTION 4
SCALE 1:25

WALL TYPES:

- W1** EXTERIOR WALL MASONRY
 - 90x390x900H MASONRY
 - 25 AIRSPACE
 - 50 BOARD INSULATION
 - AIR/VAPOUR BARRIER MEMBRANE
 - 190 CONCRETE BLOCK
 - EXISTING 38x89 WOOD STUDS
 - EXISTING HORIZONTAL SHIPLAP
 - EXISTING HARDBOARD
- W2** EXTERIOR WALL CONCRETE SKIRT
 - PRECAST CONCRETE SKIRT
 - 25 AIRSPACE
 - 50 BOARD INSULATION
 - AIR/VAPOUR BARRIER MEMBRANE
 - 190 CONCRETE BLOCK
 - EXISTING 38x89 WOOD STUDS
 - EXISTING HORIZONTAL SHIPLAP
 - EXISTING HARDBOARD
- W3** EXTERIOR WALL METAL SIDING
 - HORIZONTAL METAL SIDING
 - 22 VERTICAL METAL FURRING
 - SHEATHING PAPER
 - HORIZONTAL METAL Z-BARS
 - 50 BOARD INSULATION
 - AIR/VAPOUR BARRIER MEMBRANE
 - 16 FIBREGLASS FACED GYPSUM BOARD
 - NEW 38x89 WOOD STUDS @400 O.C.
 - BATT INSULATION
 - NEW 3 HARDBOARD TO MATCH EXISTING
- W4** EXTERIOR WALL GRADE BEAM
 - CONCRETE BEAM
 - CEMENT FARGING - COLOUR TO MATCH PRECAST CONCRETE PANELS
 - DAMPROOFING BELOW GRADE
- W5** DISCHARGE BLOCK - CONCRETE
 - HORIZONTAL METAL SIDING
 - 22 VERTICAL METAL FURRING
 - EXISTING CONCRETE WALL
- W6** DISCHARGE BLOCK - METAL
 - HORIZONTAL METAL SIDING
 - 22 VERTICAL METAL FURRING
 - STEEL STRUCTURE

ROOF TYPES:

- R1** STEEL DECK MAIN BUILDING
 - PREFINISHED METAL ROOF
 - 25 AIRSPACE
 - SHEATHING PAPER
 - 25 THERMAL BREAK
 - 150 METAL Z-BAR
 - 150 BOARD INSULATION
 - AIR/VAPOUR BARRIER MEMBRANE
 - 16 FIBREGLASS FACED GYPSUM BOARD
 - METAL ROOF DECK
 - STEEL ROOF STRUCTURE
- R2** DISCHARGE BLOCK
 - PREFINISHED METAL ROOF
 - 22 VERTICAL METAL FURRING
 - STEEL ROOF STRUCTURE

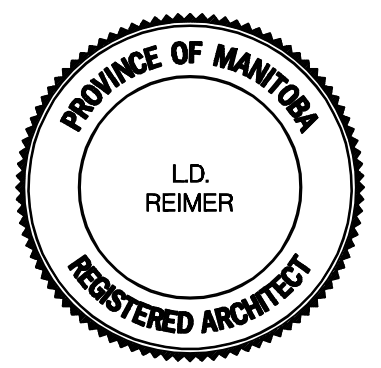
FLOOR TYPES:

- F1** MAIN BUILDING
 - EXISTING CONCRETE SLAB FLOOR

METRIC
WHOLE NUMBERS INDICATE MILLIMETRES
DECIMALIZED NUMBERS INDICATE METRES

WARNING

IF POWER EQUIPMENT OR EXPLOSIVES ARE TO BE USED FOR EXCAVATION ON THIS PROJECT THE CONTRACTOR MUST:
1) NOTIFY THE GAS COMPANY OF THE PROPOSED LOCATION OF EXCAVATION.
2) TAKE PRECAUTION TO AVOID DAMAGE TO GAS COMPANY INSTALLATIONS.
SEE PROVINCIAL REGULATION 210/72 FOR DETAILS



B.M. ELEV.					
POSTED TO LBS					
DESIGNED BY	JP	CHECKED BY	SHN		
DRAWN BY	SHN	APPROVED BY			
4 ISSUED FOR TENDER	04.06.28	SHN			
3 ISSUED FOR CLIENT REVIEW	04.05.12	SHN			
2 PRE TENDER REVIEW	04.03.18	SHN			
1					
NO. REVISIONS					
		AS NOTED		RELEASED FOR CONSTRUCTION	
		VERTICAL			
		DATE 2003 12 03		DATE	

THE CITY OF WINNIPEG
 WATER AND WASTE DEPARTMENT
GALT FLOOD PUMPING STATION REDEVELOPMENT
 WALL & BUILDING SECTIONS
 SHEET 4 OF 6
 CONSULTANT DRAWING NUMBER A5.1
 CITY DRAWING NUMBER LD-3018