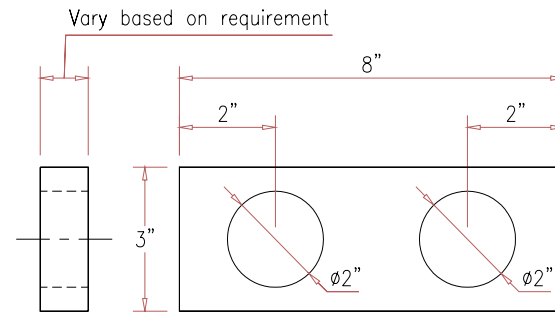
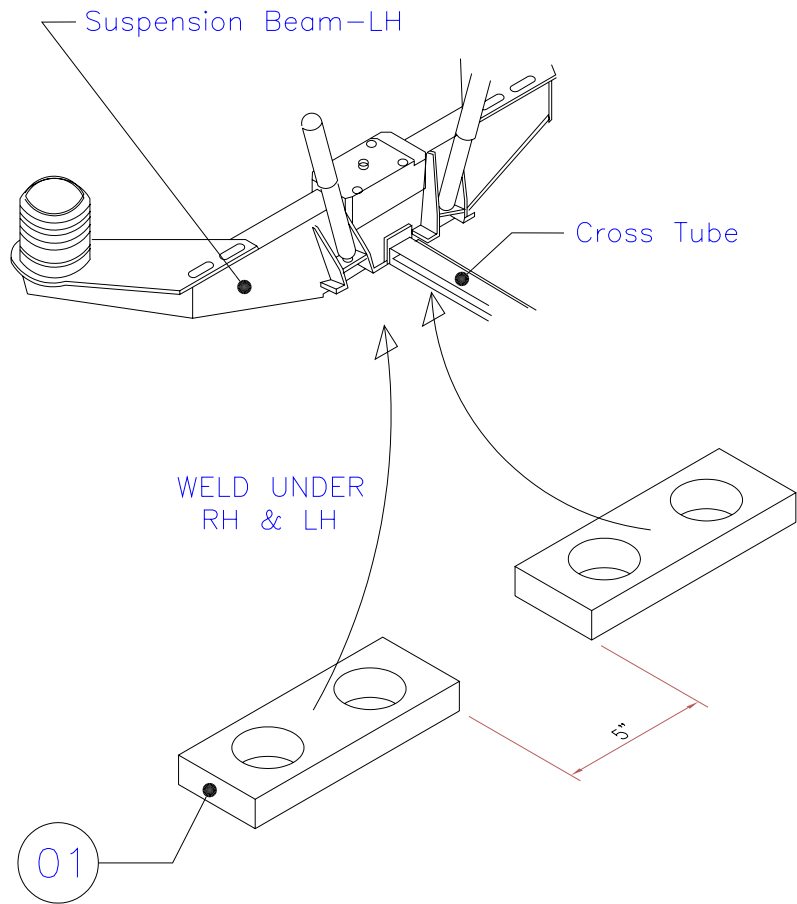




ITEM	NAME	DESCRIPTION	QTY
01	SPACER (Detail 1/S-1)	PLATE: 8" X 3" X VARIOUS THK	4



1
S-1

DETAIL: ITEM 01
SCALE: 3" = 1'-0"



REV	DESCRIPTION	DATE
City of Winnipeg Transit Department		SCALE N.T.S.
CATEGORY	DRAWN BY TVD	DATE 24-2004-004
DRAWING TITLE	DATE 2004.01.15	DRAWING NO. 24-2004-004
Bus Tender 24-2004	04/05	
Rear Suspension-Spacer Plates for Hoisting		