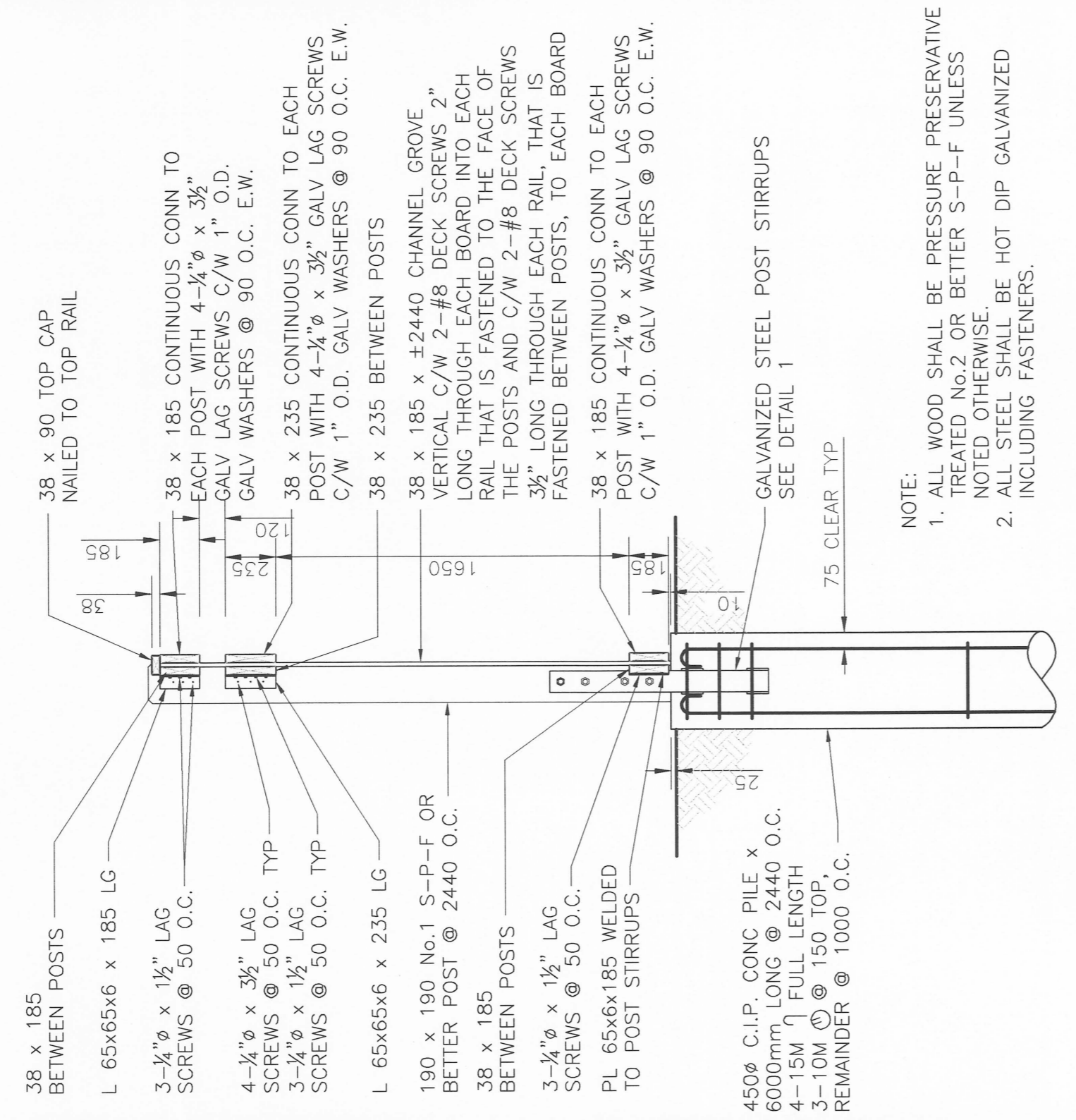
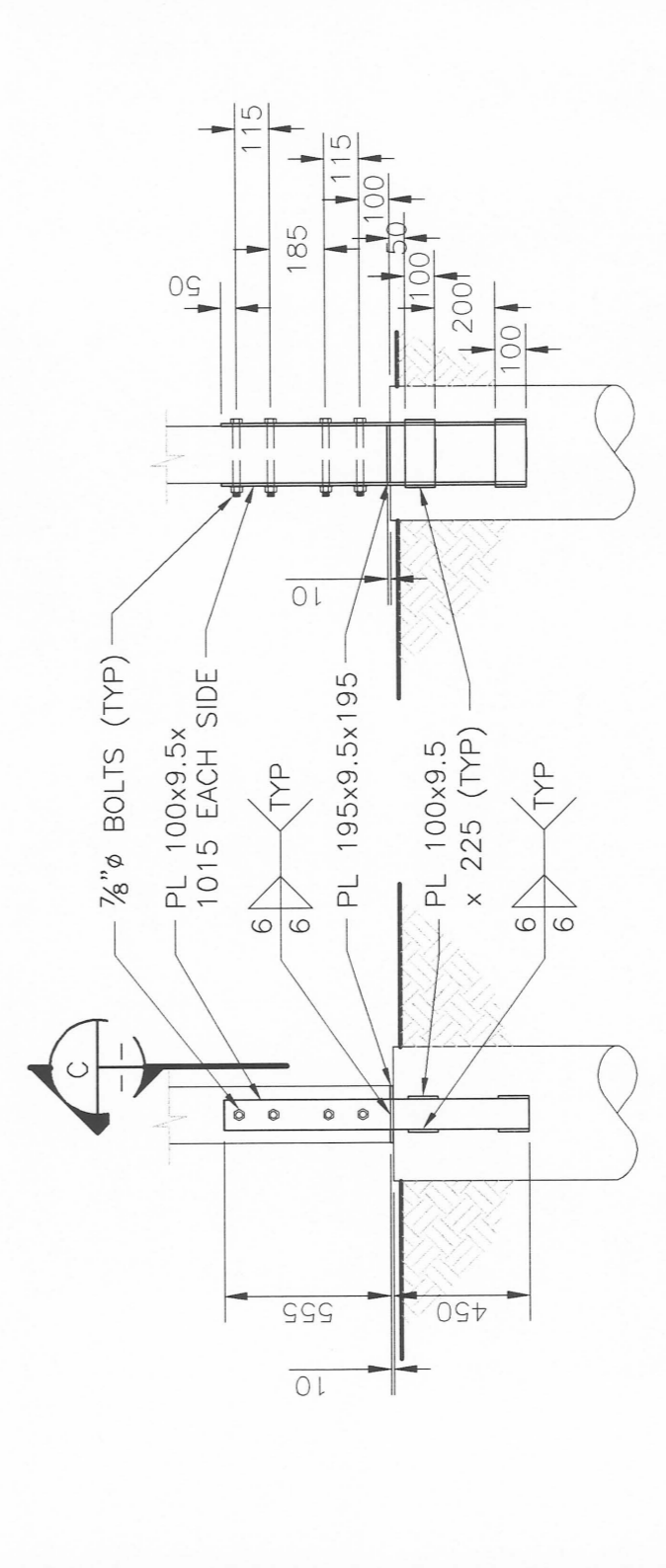


SECTION D-D
SCALE: HOR. = 1:100, VERT. = 1:50



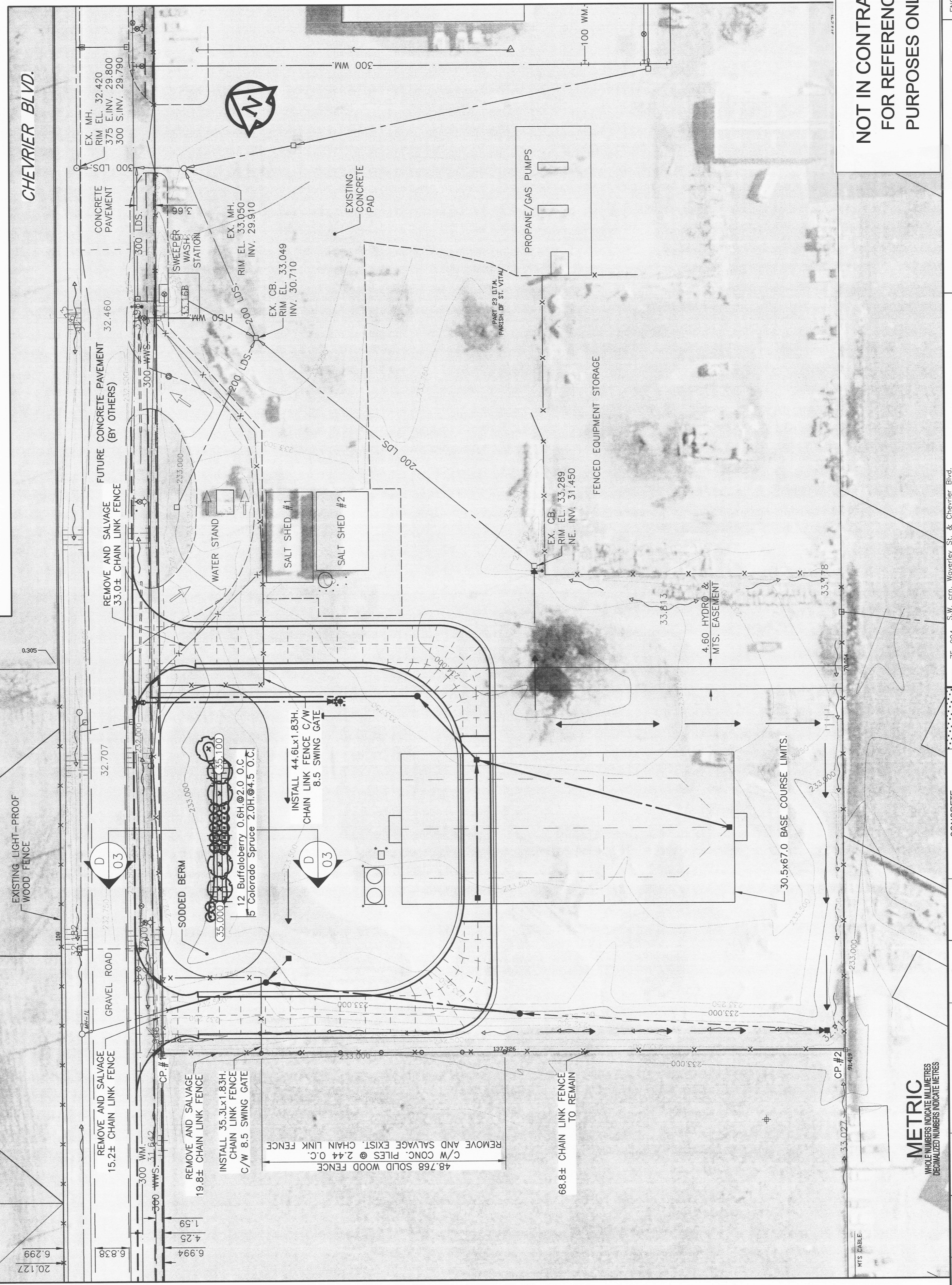
WOOD FENCING POST SECTION
1:25

NOTE:
1. ALL WOOD SHALL BE PRESSURE PRESERVATIVE TREATED No.2 OR BETTER S-P-F UNLESS NOTED OTHERWISE.
2. ALL STEEL SHALL BE HOT DIP GALVANIZED INCLUDING FASTENERS.



DETAIL 1
1:25

SECTION C
1:25



NOT IN CONTRACT FOR REFERENCE PURPOSES ONLY

GAS		MANHOLE		CONCRETE		METRIC		LEGEND	
○	CATCH BASIN/CATCH PIT	○	CONCRETE	●	EXISTING	○	PROPOSED	—	PLAN
□	C & G INLET W/BOX	□	ASPHALT	■	EXISTING	■	PROPOSED	—	PLAN
△	TREE	△	CONCRETE SIDEWALK	▲	EXISTING	▲	PROPOSED	—	PLAN
⊙	TEST HOLE	⊙	PAVING STONE	⊙	EXISTING	⊙	PROPOSED	—	PLAN
—	PROPERTY LINE	—	TOPSOIL & SOD	—	EXISTING	—	PROPOSED	—	PLAN
—	SURVEY BAR	—	BASE COURSE/GRAVEL	—	EXISTING	—	PROPOSED	—	PLAN
—	CHAIN LINK FENCE	—	RAMP CURB	—	EXISTING	—	PROPOSED	—	PLAN
—	WOOD FENCE W/PILES	—	WOOD FENCE	—	EXISTING	—	PROPOSED	—	PLAN
—	BACK OF CURB/PAVEMENT	—	WOOD FENCE W/PILES	—	EXISTING	—	PROPOSED	—	PLAN
—	ELEVATION	—	BACK OF CURB/PAVEMENT	—	EXISTING	—	PROPOSED	—	PLAN
—	ELEVATION	—	ELEVATION	—	EXISTING	—	PROPOSED	—	PLAN
—	ELEVATION	—	ELEVATION	—	EXISTING	—	PROPOSED	—	PLAN

UMA Engineering Ltd.
• Consulting • Engineering • Construction • Management Services

DESIGNED BY: DKH
DRAWN BY: DID
HOR. SCALE: 1:500
VERTICAL: N/A
Y/M/D: 04/02/12

CHECKED BY: A. H. S.
APPROVED BY: [Signature]
RELEASED FOR CONSTRUCTION: [Signature]
DATE: 04/12/12

CONSULTANT DRAWING NO. 41-0103-0285-366-00

THE CITY OF WINNIPEG
PUBLIC WORKS DEPARTMENT
ENGINEERING DIVISION

SAND and SALT STORAGE FACILITY
at 1539 WAVERLEY STREET
YARD WORKS

LANDSCAPE PLAN
FENCING & TREE PLANTING LAYOUT, & SECTIONS

ENGINEER'S SEAL
APR 12/12
DONALD K. HESTER
member no. 32

UMA Engineering Ltd.
Certificate of Authorization
UMA Engineering Ltd.
No. 256 Expiry: April 30, 2004

BID OPPORTUNITY No. 187-2004

PROJECT SCALE = 1:10.50
PLOT 9 SCALE = 1:10.50
A:\P04\15.05 P:\20265\366-00\ALD\Sand Salt Facility Site Plan.dwg 2004-04-21 08:34am DTD

THE CITY OF WINNIPEG
PUBLIC WORKS DEPARTMENT
ENGINEERING DIVISION

SAND and SALT STORAGE FACILITY
at 1539 WAVERLEY STREET
YARD WORKS

LANDSCAPE PLAN
FENCING & TREE PLANTING LAYOUT, & SECTIONS

ENGINEER'S SEAL
APR 12/12
DONALD K. HESTER
member no. 32