



**Field Notes for Installation:**

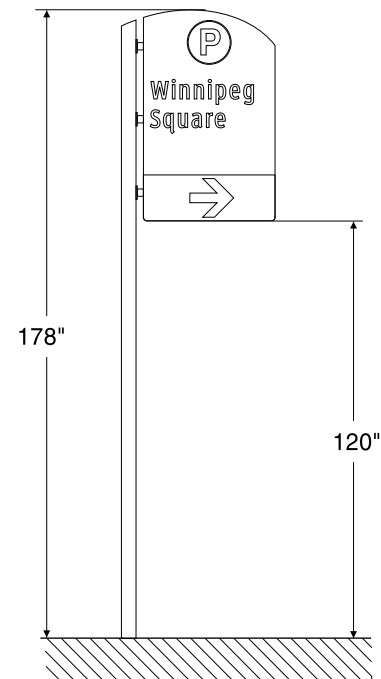
At transit sign, 68' from Fort Street.

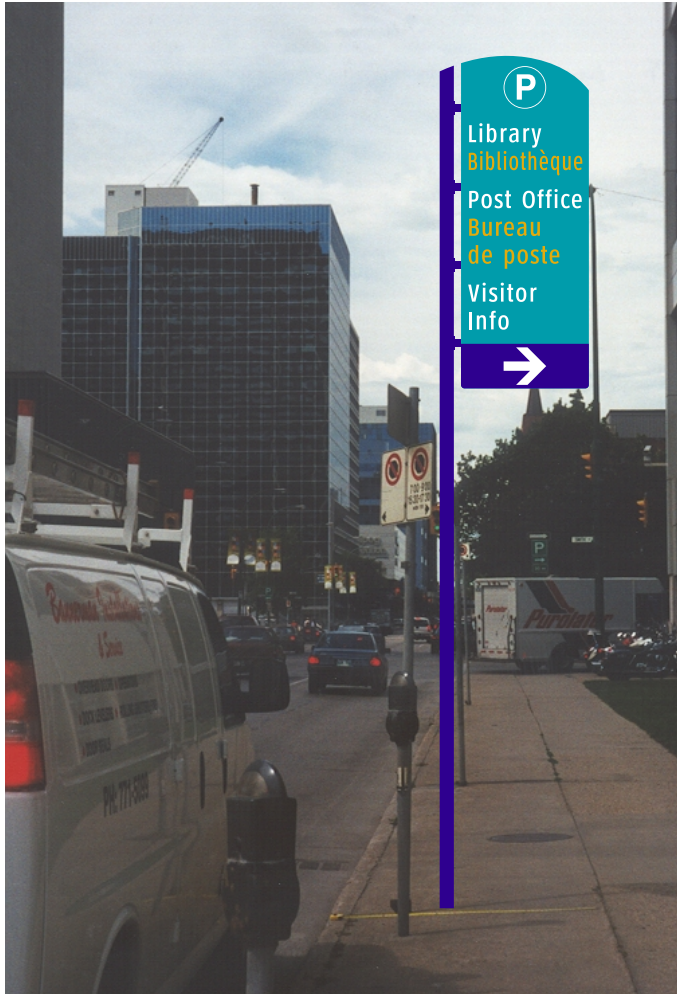
Pole Site Location N/S St Mary Av west of Main St

Sign Panel Panel Type

**St1** **D "P"**

Pole Type **D**





**Field Notes for Installation:**

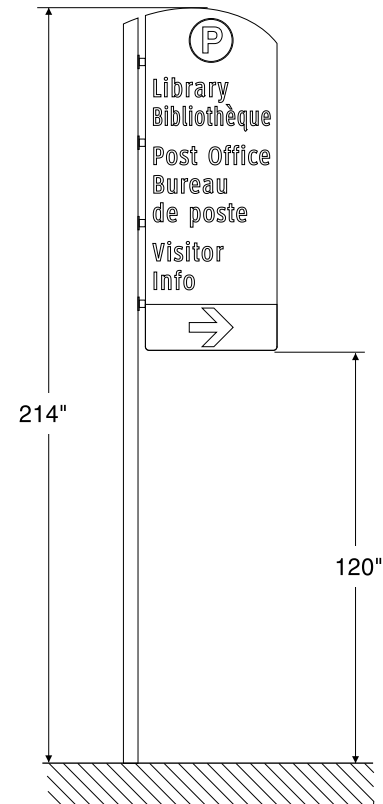
At "One-Way/No Stopping" pole, 124' back from corner.

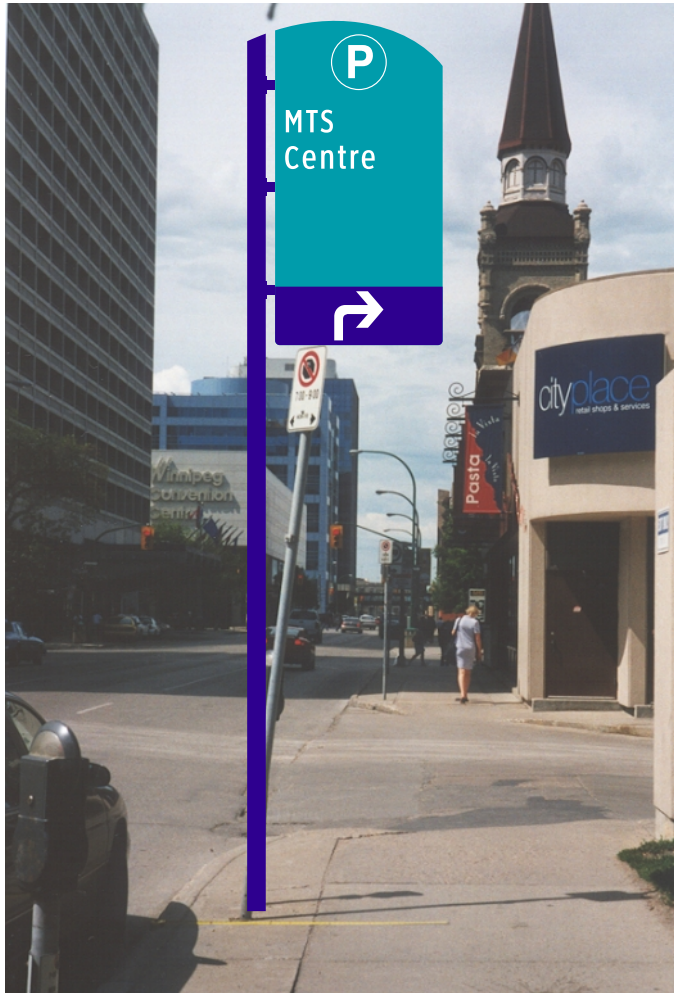
Pole Site Location N/S St Mary Av east of Smith St

Sign Panel Panel Type

**St2** **A "P"**

Pole Type **A**





**Field Notes for Installation:**

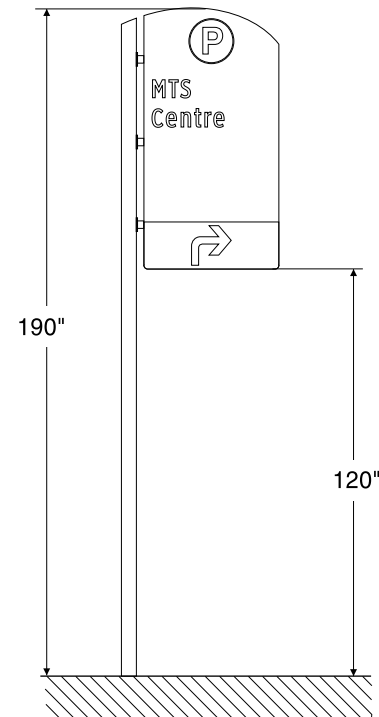
Just before cityplace exit, at One-Way sign pole.

Pole Site Location N/S St Mary Av east of Hargrave St

Sign Panel Panel Type

**St3** **C "P"**

Pole Type **C**



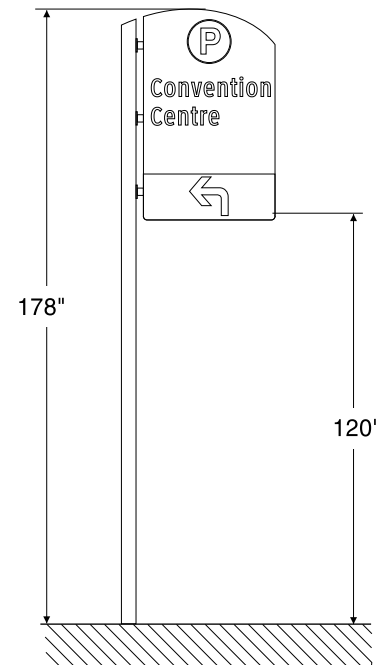


Pole Site Location N/S St Mary Av east of Carlton St

Sign Panel Panel Type

**St4** **D "P"**

Pole Type **D**



**Field Notes for Installation:**

½-way between 2nd & 3rd light poles back from Carlton.  
 Because of possible confusion with entrance to Delta  
 Parking, use Bent Arrow Left.



**Field Notes for Installation:**

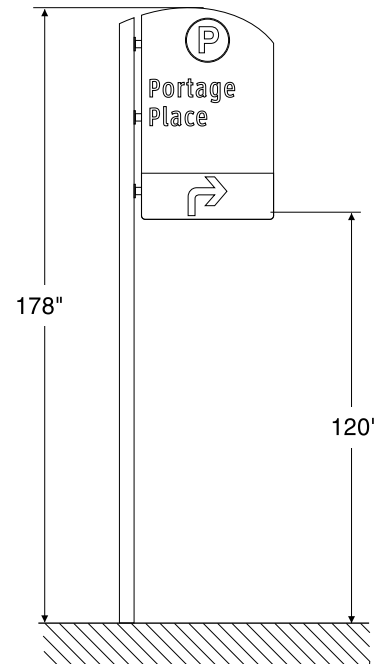
At “No Parking/No Stopping” sign, 50' before driveway.

Pole Site Location N/S St Mary Av west of Kennedy St

Sign Panel Panel Type

**St5** **D “P”**

Pole Type **D**





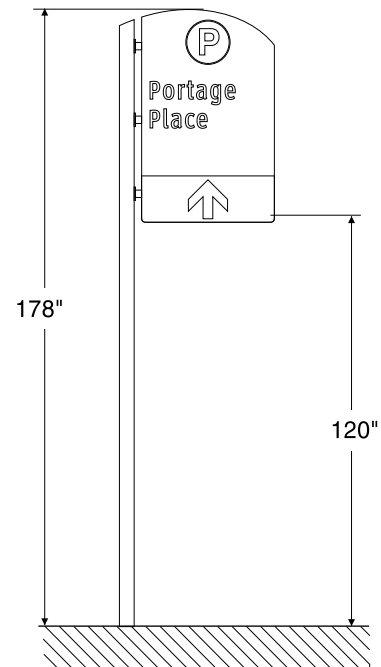
**Field Notes for Installation:**

In front of tree just after lot driveway.

Pole Site Location E/S Vaughan St south of Portage Av

Sign Panel	Panel Type
<b>St5-F</b>	<b>D "P"</b>

Pole Type **D**

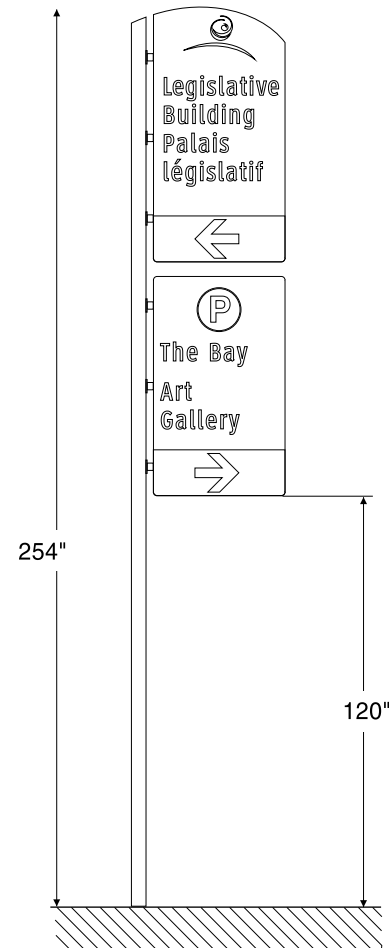


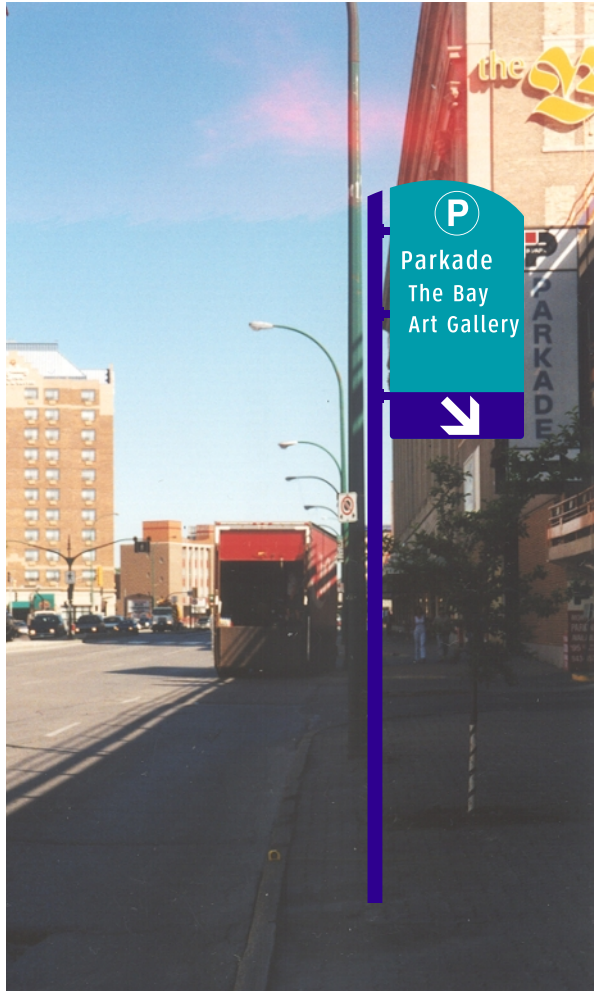


Field Notes for Installation:  
70' back from Memorial.

Pole Site Location N/S St Mary Av east of Memorial Blv

Sign Panel	Panel Type
<b>St8-U</b>	<b>C logo</b>
<b>St8-L</b>	<b>C lower</b>
Pole Type	<b>C+C</b>





**Field Notes for Installation:**

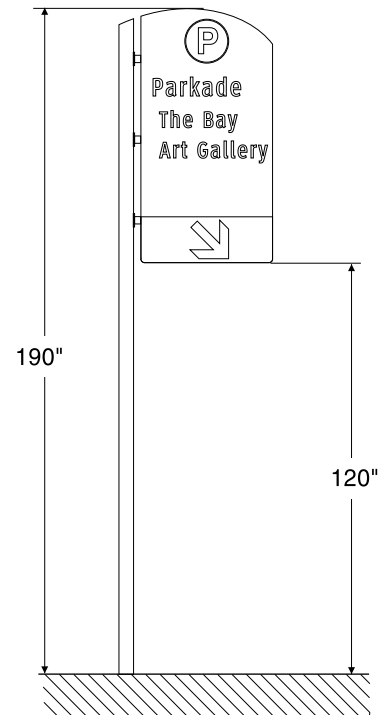
Before tree before driveway into Bay parkade.

Pole Site Location E/S Memorial Blv north of St Mary Av

Sign Panel Panel Type

**St8-F** **C "P"**

Pole Type **C**





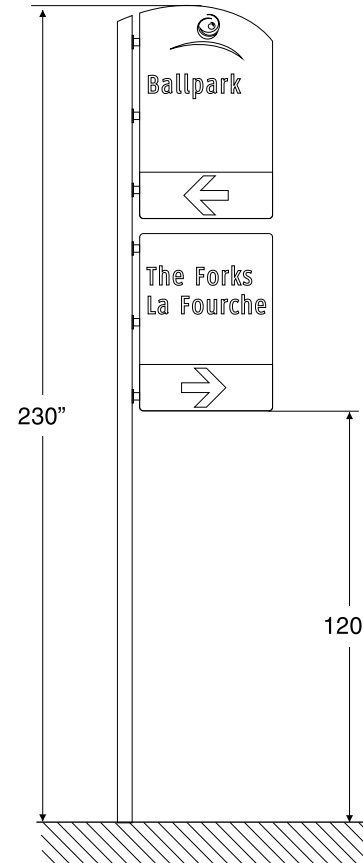


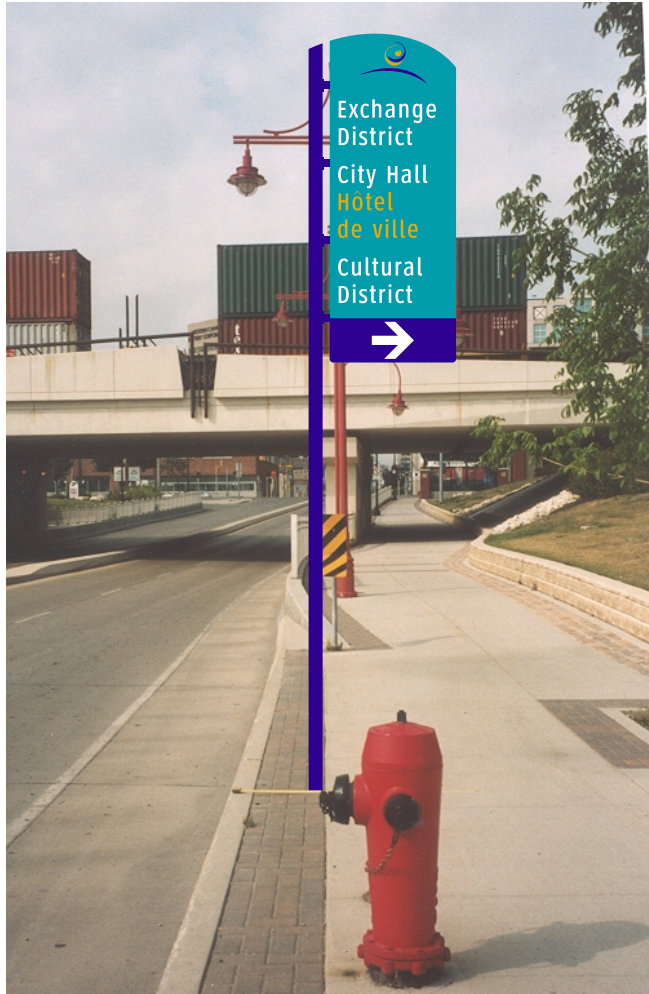
**Field Notes for Installation:**

35' beyond 3rd pole back from Waterfront.

Pole Site Location S/S York St west of Waterfront Dr

Sign Panel	Panel Type
<b>YE1-U</b>	<b>D logo</b>
<b>YE1-L</b>	<b>D lower</b>
Pole Type	<b>D+D</b>





**Field Notes for Installation:**

210' from Waterfront, 10' beyond hydrant.

Pile Site Location N/S York Av east of Main St

Sign Panel	Panel Type
<b>YW2</b>	<b>A logo</b>

Pole Type **A**

