

**Field Notes for Installation:**

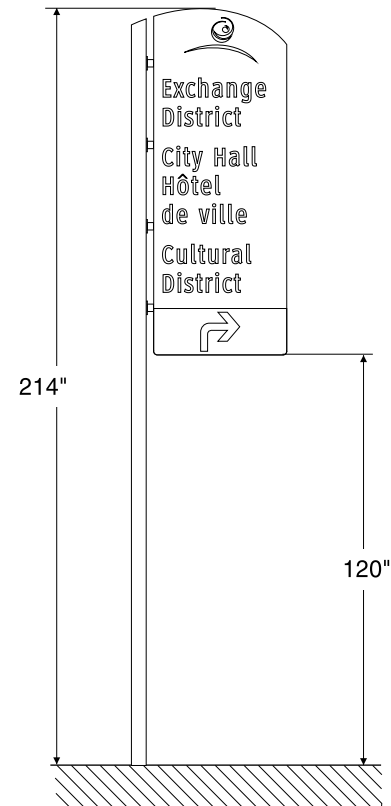
At corner of former Bank of Canada.

Pole Site Location N/S Portage Av E. east of Main St

Sign Panel Panel Type

**PW2** **A logo**

Pole Type **A**





**Field Notes for Installation:**

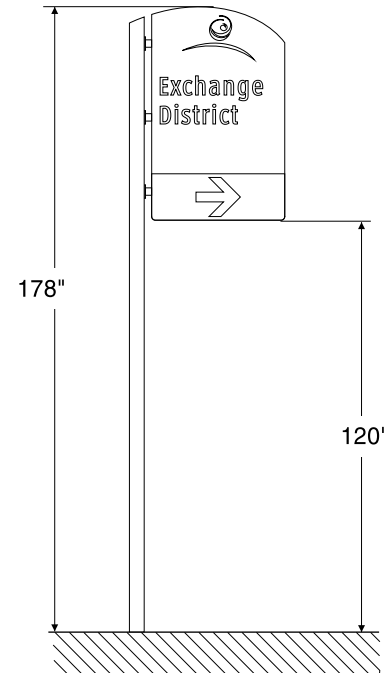
44' back from Notre Dame corner.

Pole Site Location N/S Portage Av west of Main St

Sign Panel Panel Type

**PW3** **D logo**

Pole Type **D**





**Field Notes for Installation:**

35' back from corner, just after entrance, remove existing "P" sign.

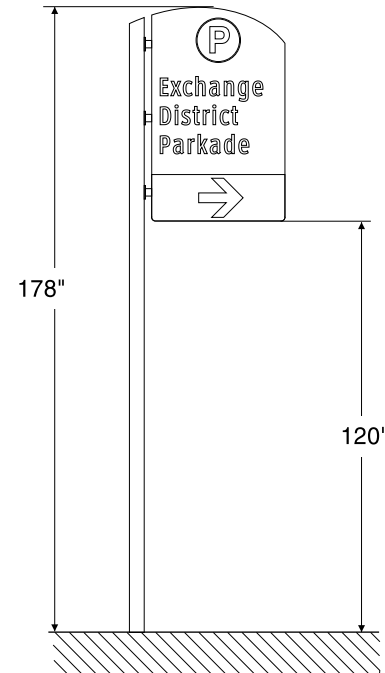
Pole Site Location N/S Notre Dame Av west of

Portage Av

Sign Panel	Panel Type
------------	------------

<b>PW3-F1</b>	<b>D "P"</b>
---------------	--------------

Pole Type	<b>D</b>
-----------	----------



Pole Site Location E/S Albert St north of Notre Dame Av

Sign Panel	Panel Type
------------	------------

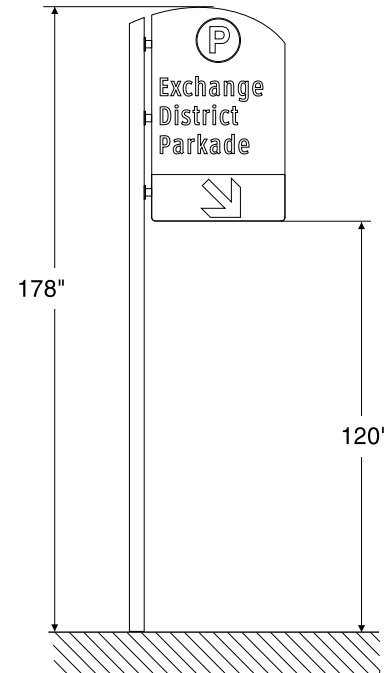
<b>PW3-F2</b>	<b>D "P"</b>
---------------	--------------

Pole Type	<b>D</b>
-----------	----------



**Field Notes for Installation:**

6' beyond driveway entrance.





**Field Notes for Installation:**

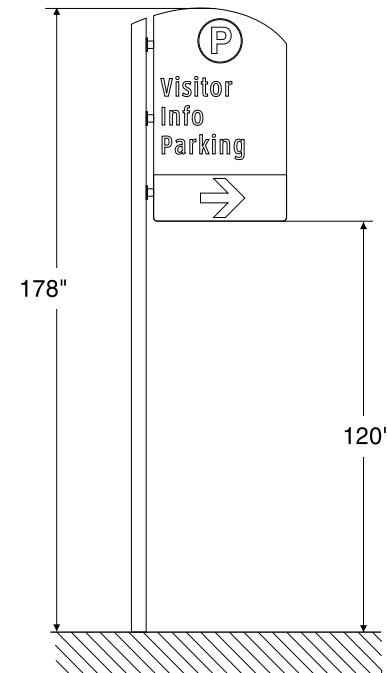
In line with 3rd light pole back (the one with "Rt. 42" sign on it), 2' from curb.

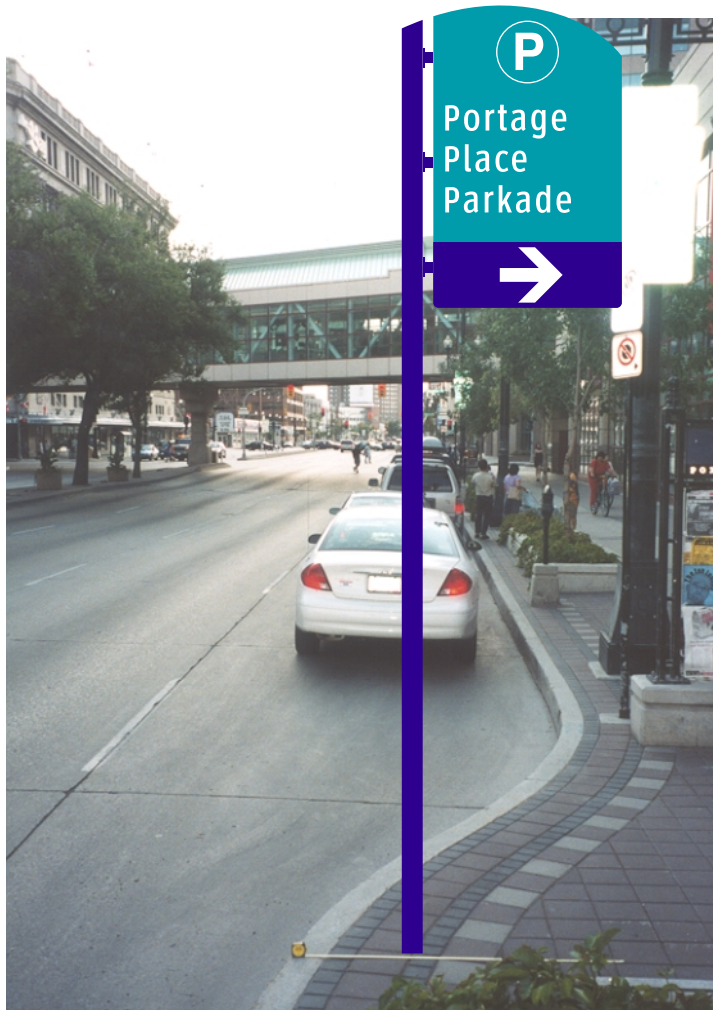
Pole Site Location N/S Portage Av west of Garry St

Sign Panel Panel Type

**PW4** **D "P"**

Pole Type **D**





**Field Notes for Installation:**

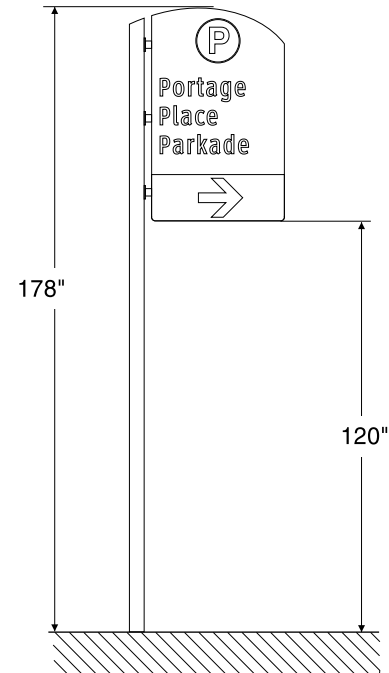
Just beyond planter, after light on outcropping.

Pole Site Location N/S Portage Av east of Vaughan St

Sign Panel Panel Type

**PW5** **D "P"**

Pole Type **D**





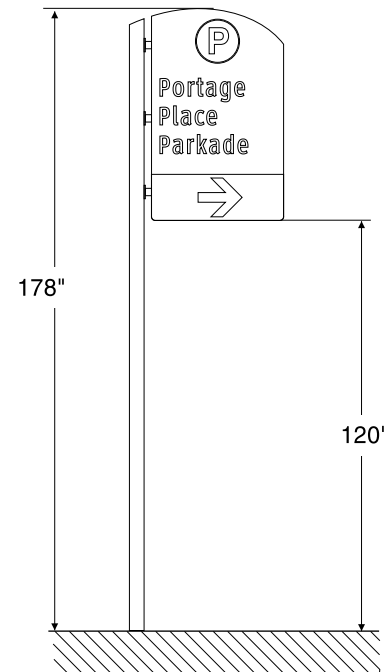
**Field Notes for Installation:**

In island, 2' in from curb — remove existing illuminated “P” sign.

Pole Site Location E/S Vaughan St north of  
The Promenade

Sign Panel	Panel Type
<b>PW5-F1</b>	<b>D “P”</b>

Pole Type **D**





**Field Notes for Installation:**

To left of garage entrance in line with light pole immediately to right of bollard.

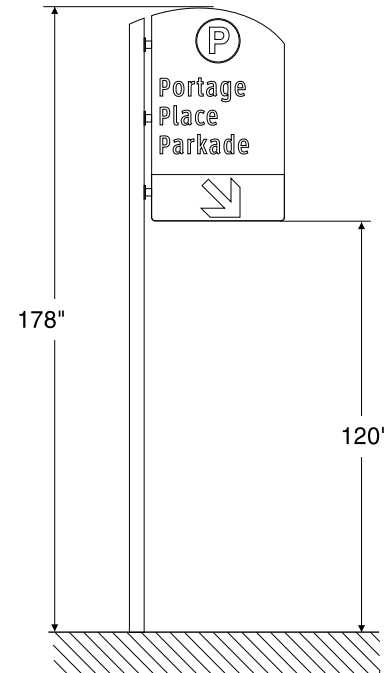
Note to Portage Place: add "No Pedestrians" sign?

Pole Site Location S/S The Promenade east of Vaughan St

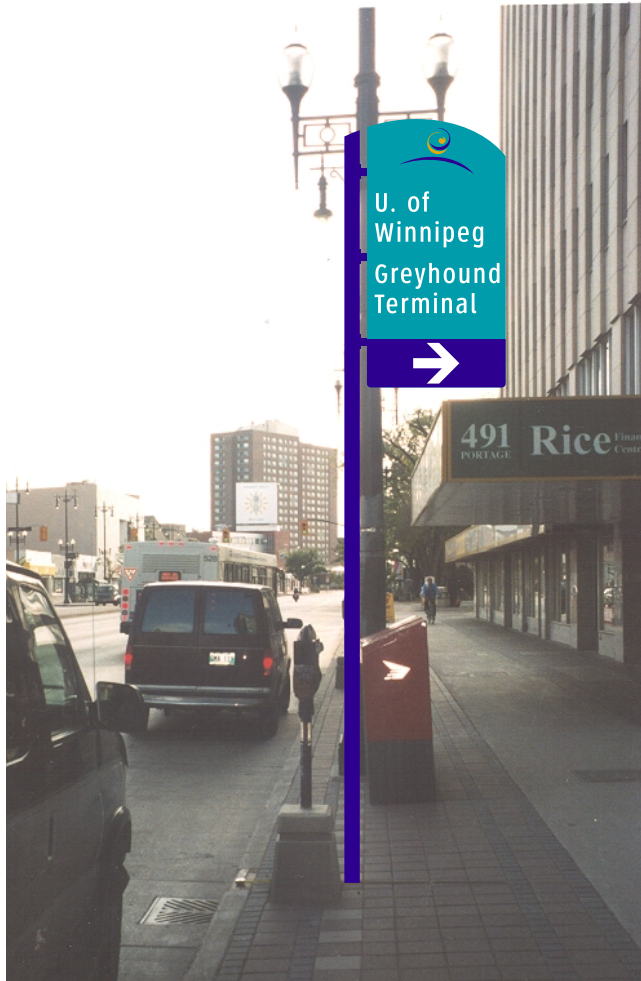
Sign Panel	Panel Type
------------	------------

<b>PW5-F2</b>	<b>D "P"</b>
---------------	--------------

Pole Type	<b>D</b>
-----------	----------







**Field Notes for Installation:**

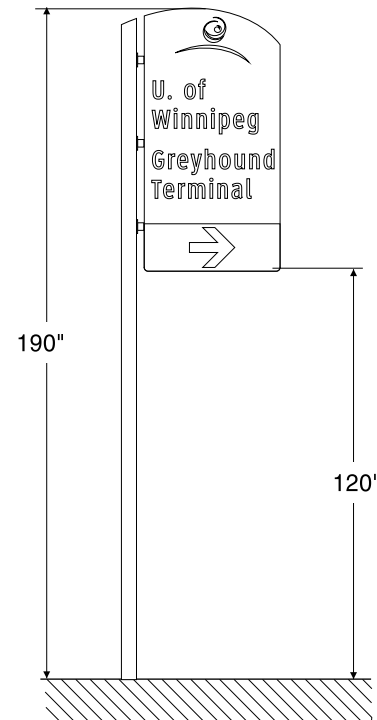
In front of parking meter, in front of light at Rice Fin. Ctr. sign.

Pole Site Location N/S Portage Av west of Colony St

Sign Panel Panel Type

**PW6** **C logo**

Pole Type **C**





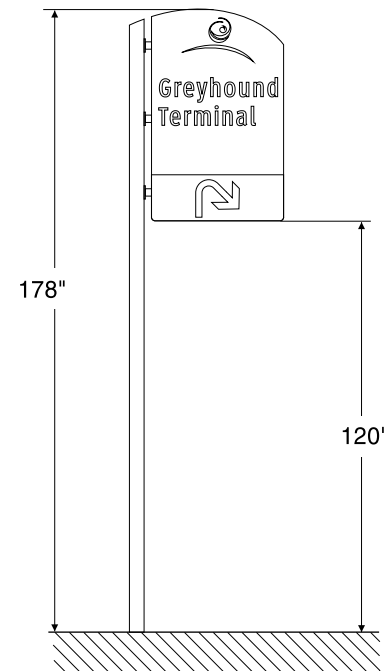
**Field Notes for Installation:**

Place just behind transit signs pole, this sign at least 1' above top transit sign.  
 No follow-up needed on Colony at terminal — big neon sign already there.

Pole Site Location E/S Balmoral St south of Ellice Av

Sign Panel	Panel Type
<b>PW6-F</b>	<b>D logo</b>

Pole Type	<b>D</b>
-----------	----------



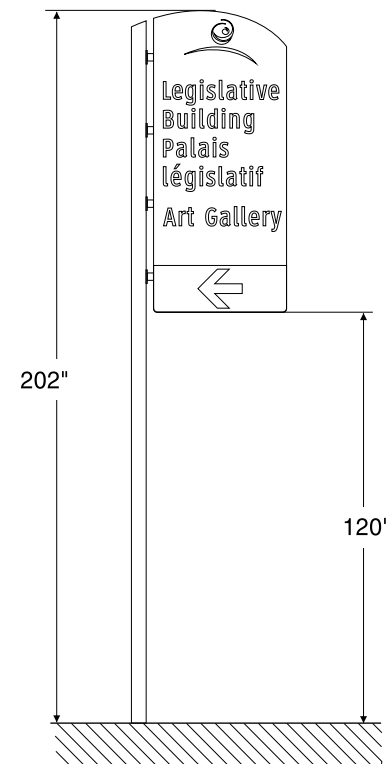


Pole Site Location N/S Portage Av east of Colony St

Sign Panel Panel Type

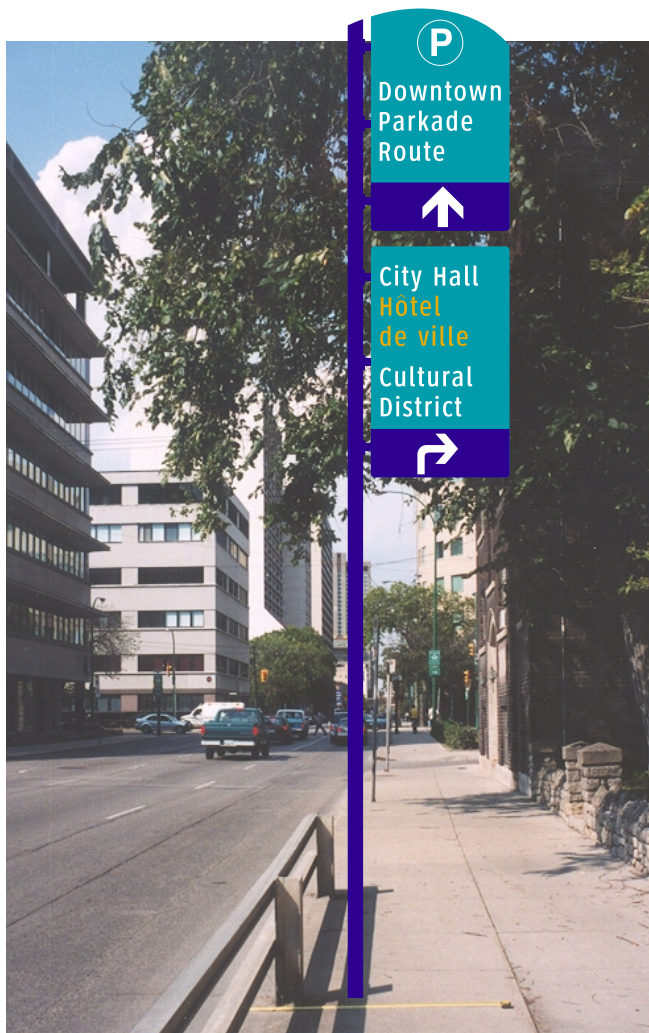
**PW7** **B logo**

Pole Type **B**



**Field Notes for Installation:**

In front of pole with star attraction signs (remove) — 2nd light pole after Vaughan.



**Field Notes for Installation:**

At property line between 79 & 83 Smith.

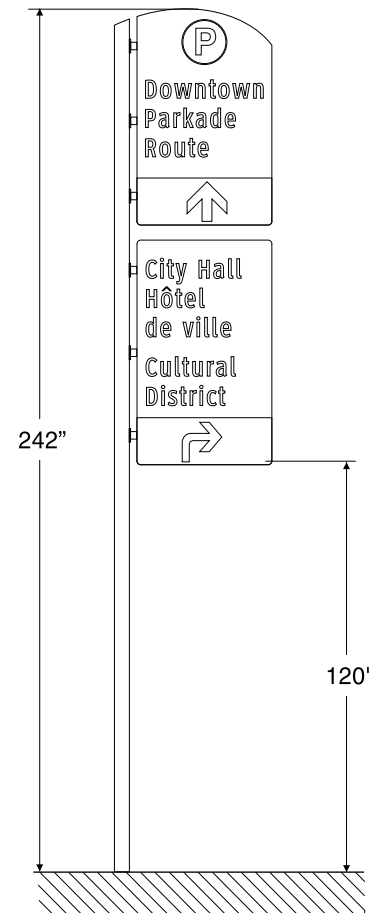
Pile Site Location E/S Smith St north of Navy Wy

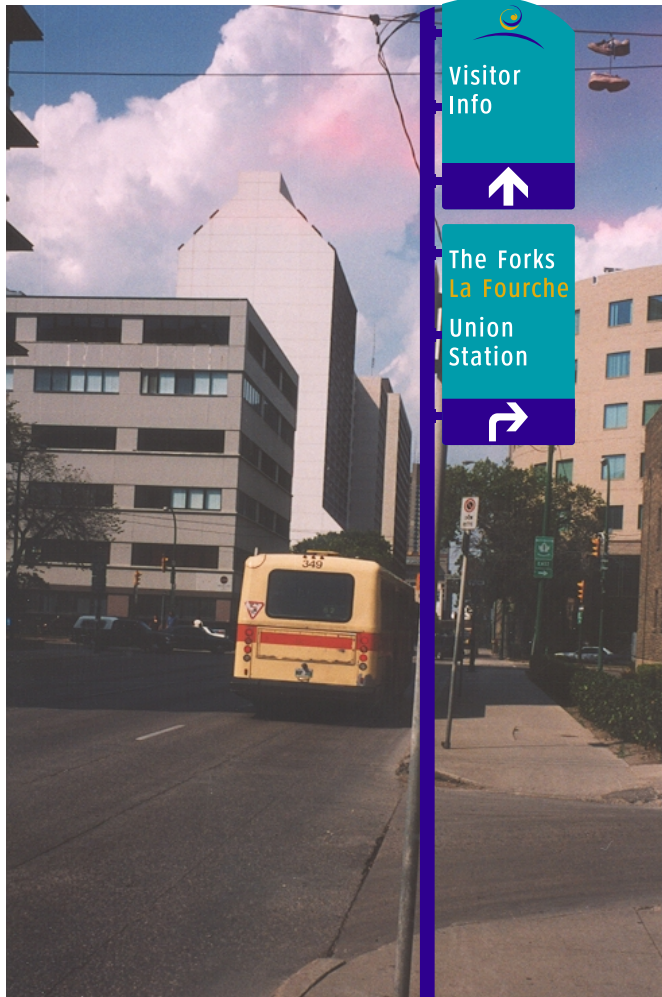
Sign Panel	Panel Type
------------	------------

<b>Sm1-U</b>	<b>D "P"</b>
--------------	--------------

<b>Sm1-L</b>	<b>C lower</b>
--------------	----------------

Pole Type	<b>D+C</b>
-----------	------------



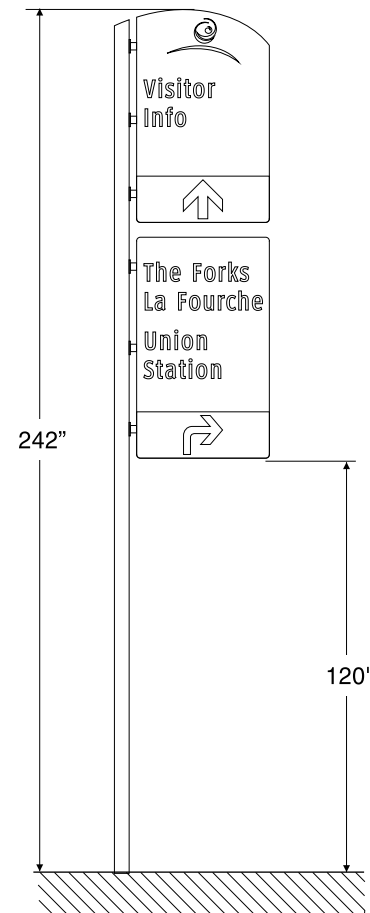


**Field Notes for Installation:**

At One-Way sign pole just before alley.

Pile Site Location E/S Smith St at alley north of Navy Wy

Sign Panel	Panel Type
<b>Sm2-U</b>	<b>D logo</b>
<b>Sm2-L</b>	<b>C lower</b>
Pole Type	<b>D+C</b>



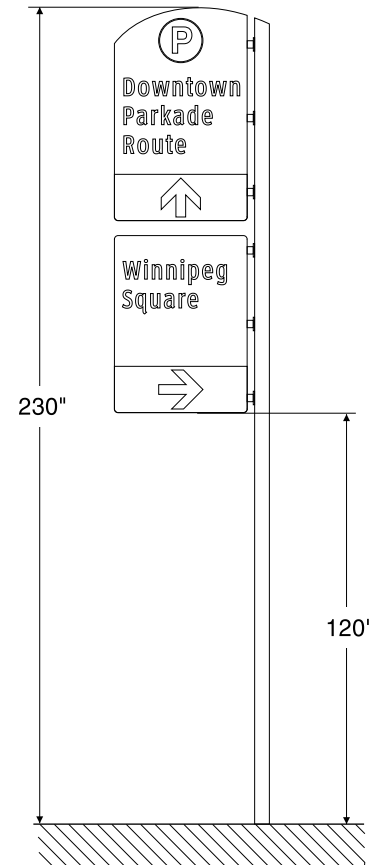


**Field Notes for Installation:**

12' beyond fire hydrant, before 2nd tree after Broadway — sewer line means right pole installation sign cantilevered left.

Pole Site Location E/S Smith St south of York Av

Sign Panel	Panel Type
<b>Sm4-U</b>	<b>D "P" R</b>
<b>Sm4-L</b>	<b>D lower R</b>
Pole Type	<b>D+D</b>





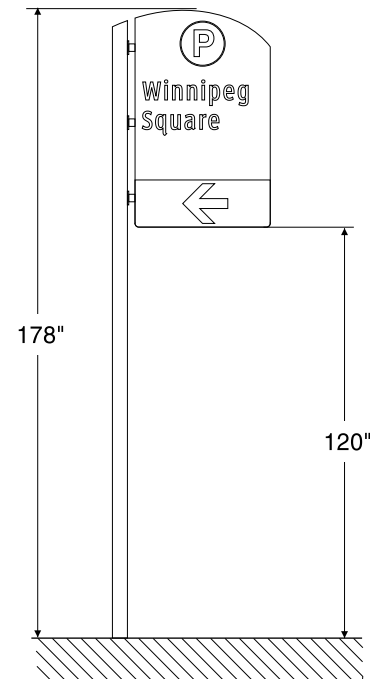
**Field Notes for Installation:**

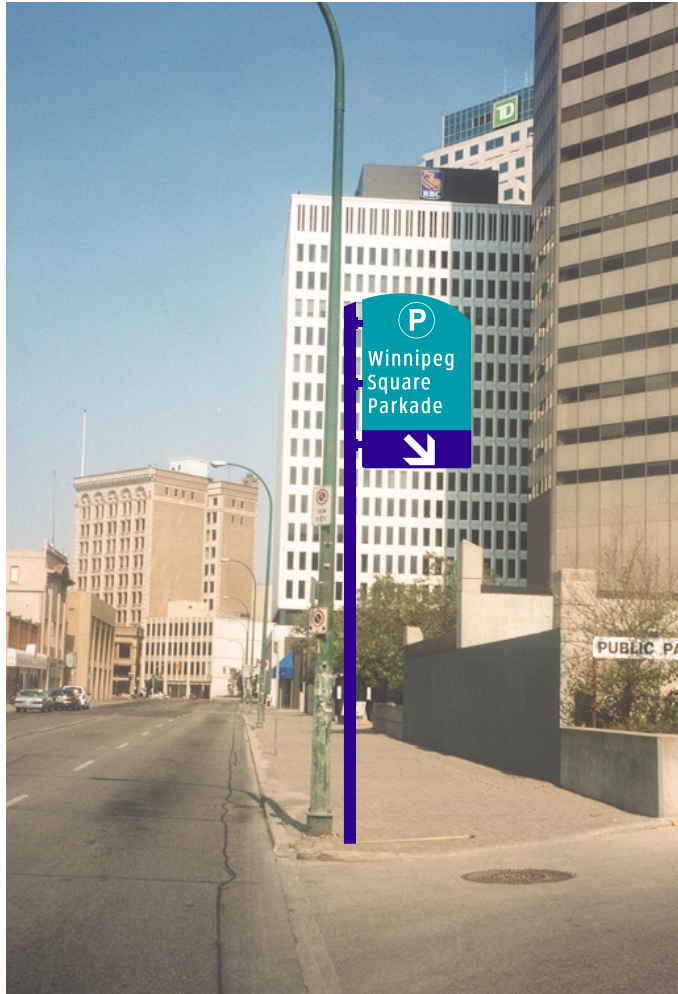
In front of green light pole after alley (only on 1/2 block).

Pole Site Location S/S York Av east of Garry St

Sign Panel	Panel Type
<b>Sm4-F1</b>	<b>D "P"</b>

Pole Type	<b>D</b>
-----------	----------





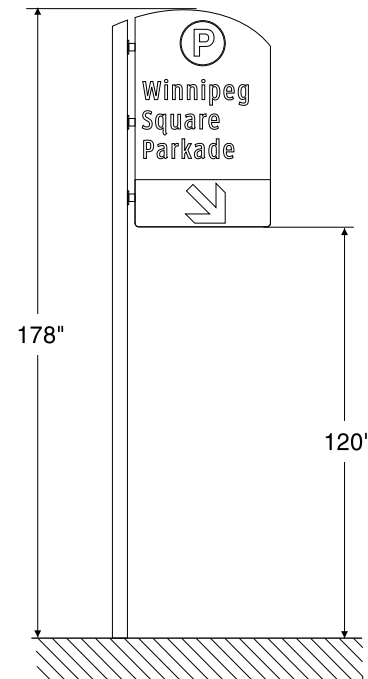
**Field Notes for Installation:**

In front of green light pole, just after driveway entrance to parking.

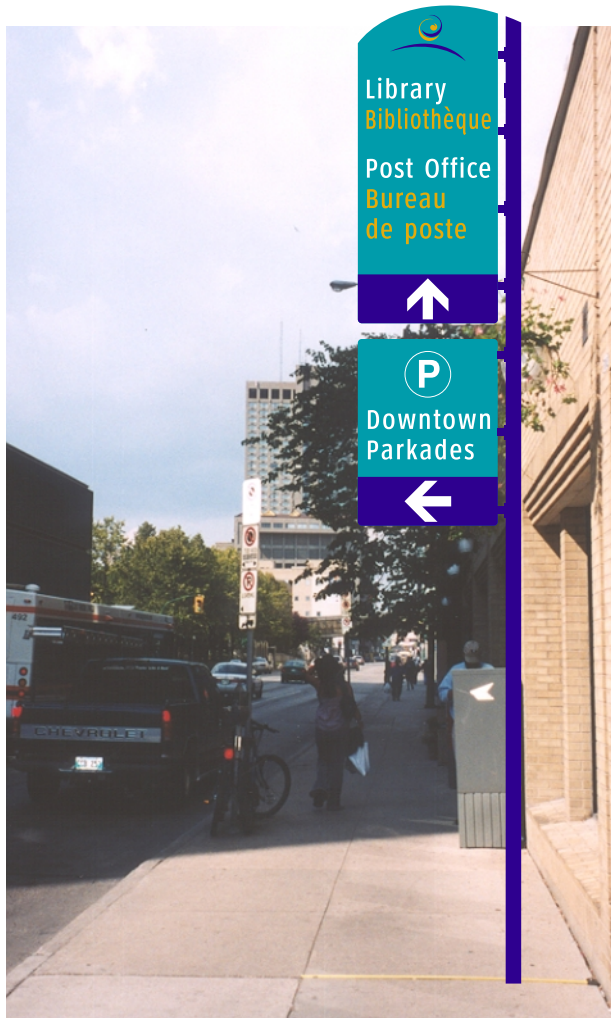
Pole Site Location E/S Fort St north of Graham Av

Sign Panel	Panel Type
<b>Sm4-F2</b>	<b>D "P"</b>

Pole Type	<b>D</b>
-----------	----------





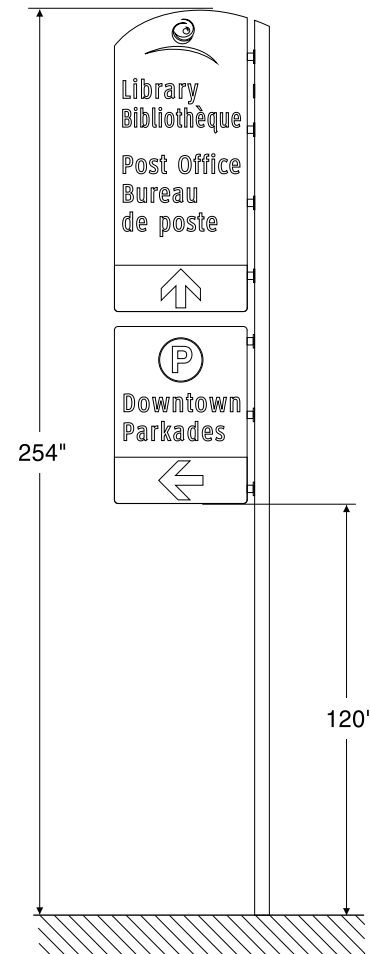


**Field Notes for Installation:**

Directly opposite entrance to Place Louis Riel, right pole/  
left sign because of sewer line

Pole Site Location E/S Smith St south of St Mary Av

Sign Panel	Panel Type
<b>Sm5-U</b>	<b>B logo R</b>
<b>Sm5-L</b>	<b>D lower R</b>
Pole Type	<b>B+D</b>





**Field Notes for Installation:**

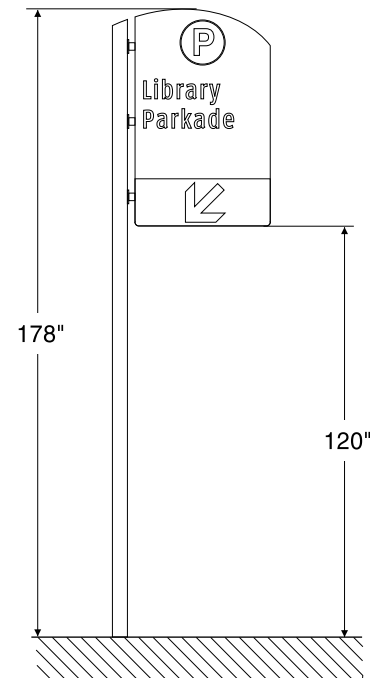
Beyond driveway entrance, behind retaining wall, so that sign edge is 2' from street curb edge.

Pole Site Location W/S Smith St north of St Mary Av

Sign Panel Panel Type

**Sm5-F** **D "P"**

Pole Type **D**





**Field Notes for Installation:**

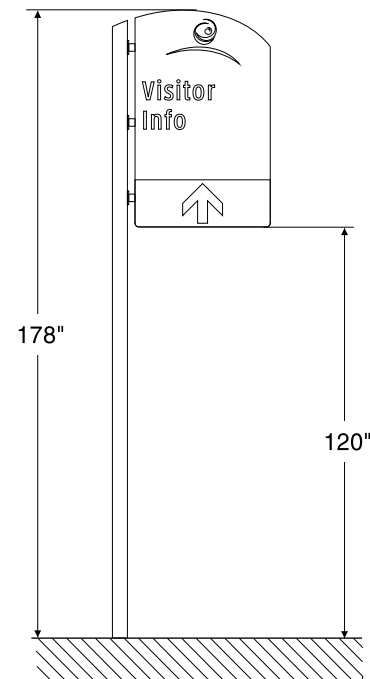
At right-mounted no stopping sign, before lot pull-in beyond green light pole.

Pole Site Location E/S Smith St north of Graham Av

Sign Panel Panel Type

**Sm6** **D logo**

Pole Type **D**

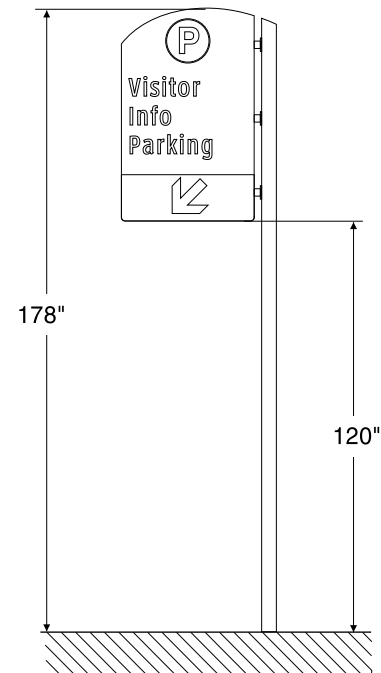




Pole Site Location W/S Smith St north of Portage Av

Sign Panel	Panel Type
<b>Sm6-F</b>	<b>D "P" R</b>

Pole Type	<b>D</b>
-----------	----------



**Field Notes for Installation:**

Just past driveway entrance to garage.  
 Watch overhead illuminated parking sign.  
 Pole to right, sign mounts to left.