

**Field Notes for Installation:**

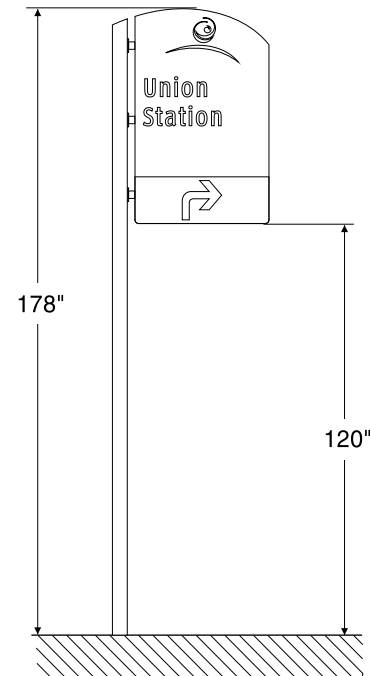
10' in front of 2nd green light post back from street,  
 1/2 between speed limit and 1 East sign.

Pole Site Location S/S Portage Av west of Canora St

Sign Panel Panel Type

**PE2** **D logo**

Pole Type **D**





**Field Notes for Installation:**

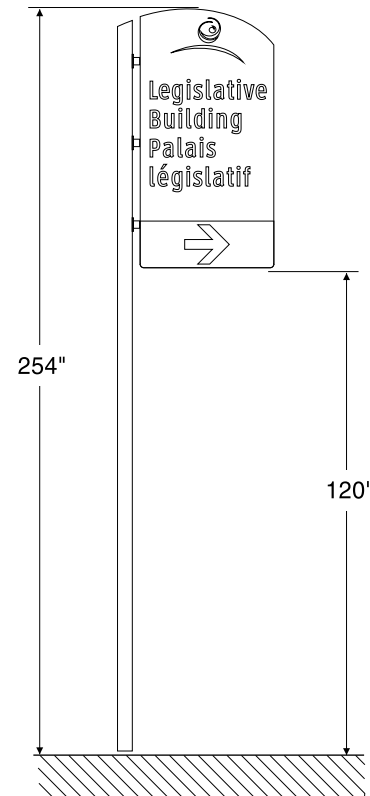
At “No Parking” sign pole before 2nd light pole (has 62 South AR) before Memorial, move pole in 3' or more so “62 S” sign not blocked.

Pole Site Location S/S Portage Av east of Good St

Sign Panel Panel Type

**PE3** **C logo**

Pole Type **C**





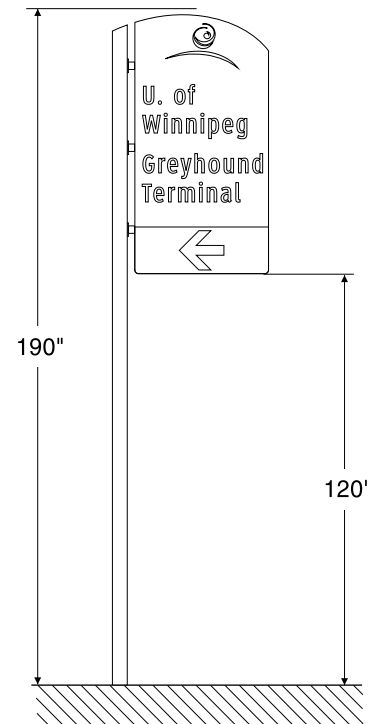
**Field Notes for Installation:**

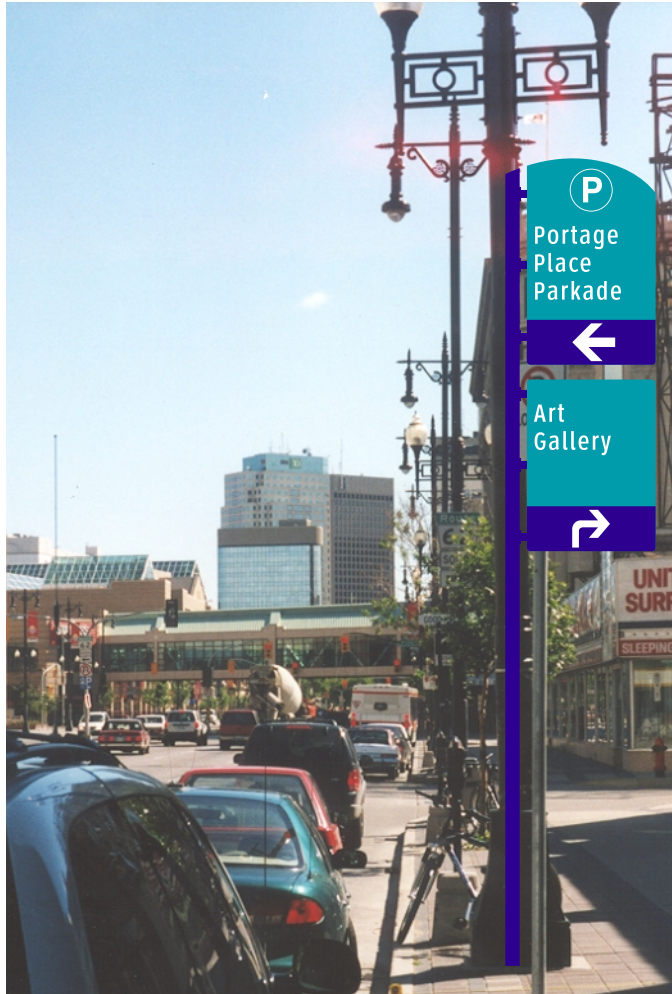
Place at pole with snowroute & two “No Parking” signs — put these on new pole.  
 Place wayfinder sign at least 1' above those signs, after 2nd black pole after St. Mary Ave.

Pole Site Location S/S Portage Ave west of Balmoral St

Sign Panel	Panel Type
<b>PE4</b>	<b>C logo</b>

Pole Type **C**



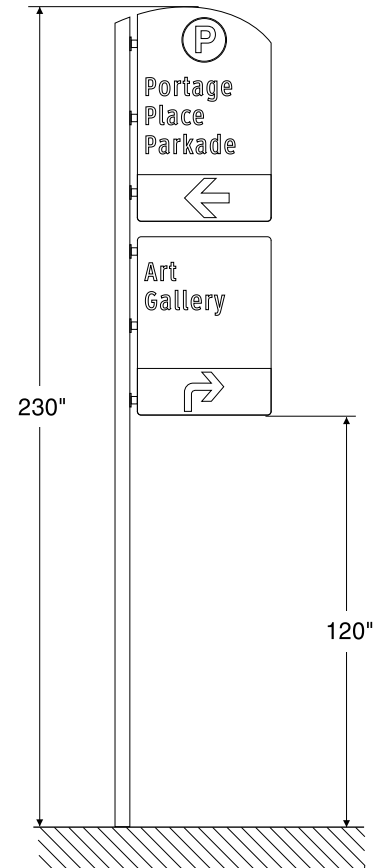


**Field Notes for Installation:**

3' in front of 2nd pole back from Good St.

Pole Site Location S/S Portage Av west of Good St

Sign Panel	Panel Type
<b>PE5-U</b>	<b>D "P"</b>
<b>PE5-L</b>	<b>D lower</b>
Pole Type	<b>D+D</b>







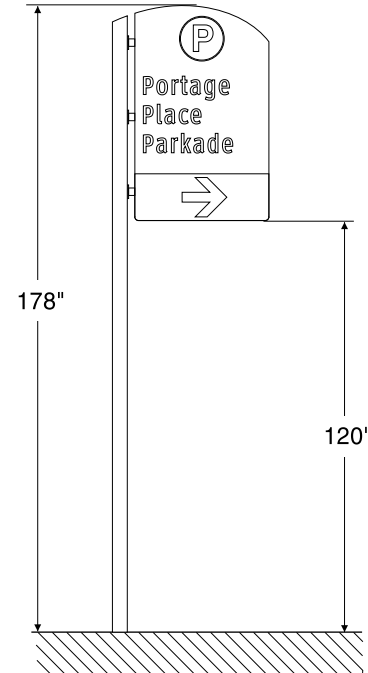
**Field Notes for Installation:**

Just before sewer grate 10' beyond alley.

Pole Site Location E/S Colony St south of Ellice Av

Sign Panel	Panel Type
<b>PE5-F1</b>	<b>D "P"</b>

Pole Type **D**



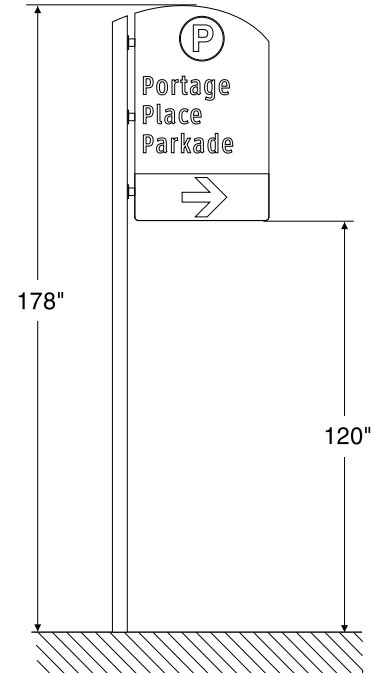


**Field Notes for Installation:**  
12' beyond lot entrance.

Pole Site Location S/S Ellice Av east of Edmonton St

Sign Panel	Panel Type
<b>PE5-F2</b>	<b>D "P"</b>

Pole Type	<b>D</b>
-----------	----------





**Field Notes for Installation:**

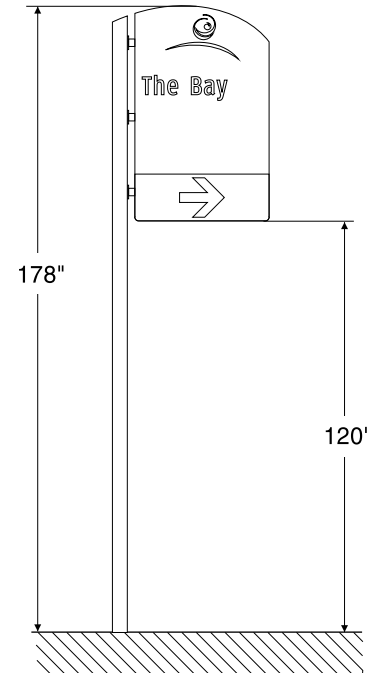
Right before 2nd tree before Kennedy.

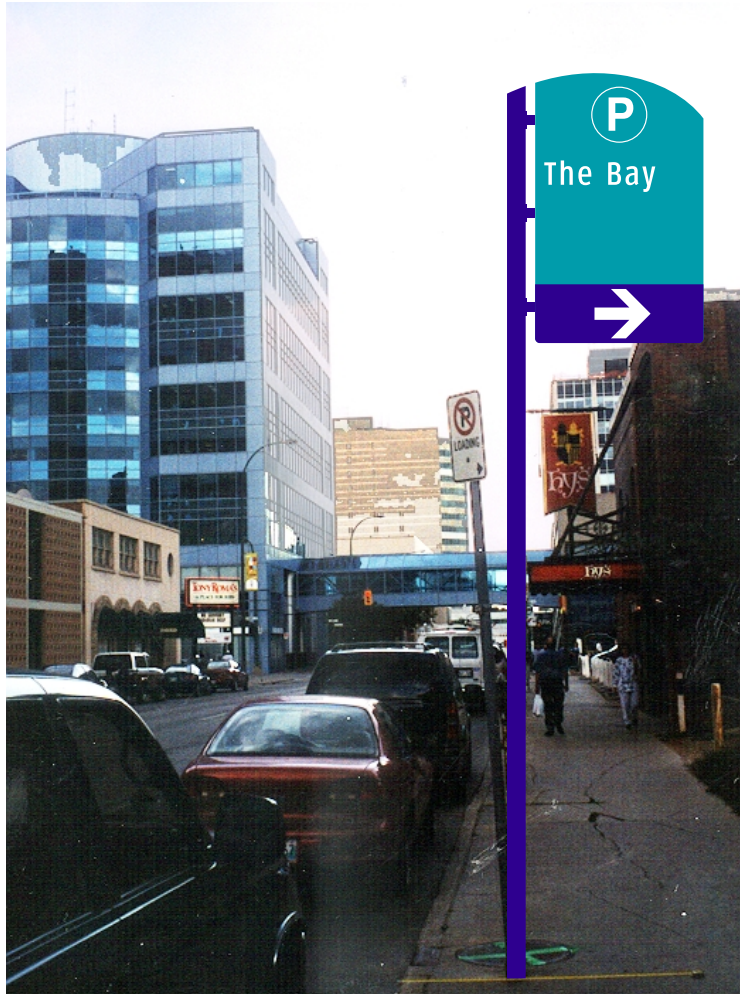
Pole Site Location S/S Portage Av west of Kennedy St

Sign Panel	Panel Type
------------	------------

<b>PE6</b>	<b>D logo</b>
------------	---------------

Pole Type	<b>D</b>
-----------	----------

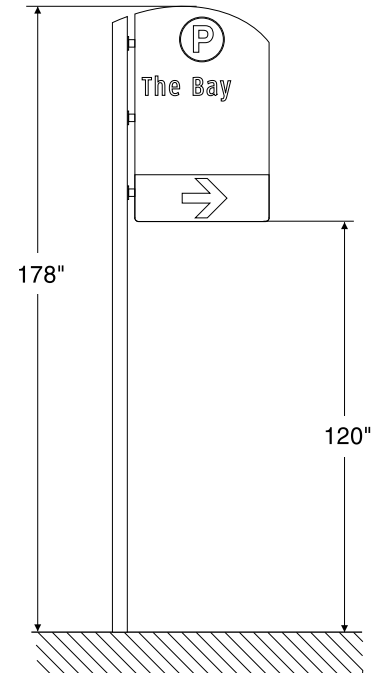




Pole Site Location W/S Kennedy St north of St Mary Av

Sign Panel	Panel Type
<b>PE6-F</b>	<b>D "P"</b>

Pole Type	<b>D</b>
-----------	----------



**Field Notes for Installation:**

At second "No Parking" sign before overhang.



Pole Site Location S/S Portage Av west of Carlton St

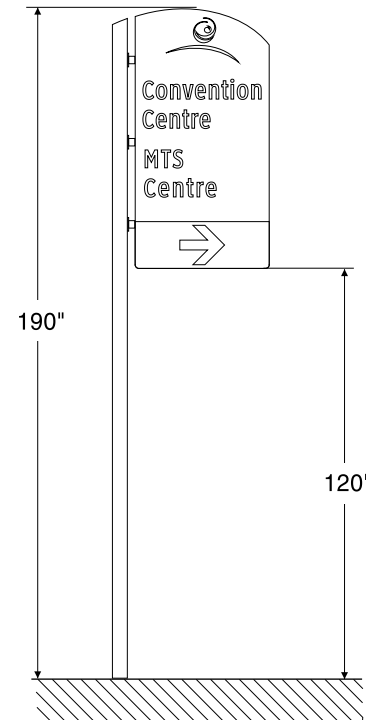
Sign Panel	Panel Type
<b>PE7</b>	<b>C logo</b>

Pole Type	<b>C</b>
-----------	----------



**Field Notes for Installation:**

In Carlton-end of planter box that immediately follows Edmonton, pole edge 2' from curb.





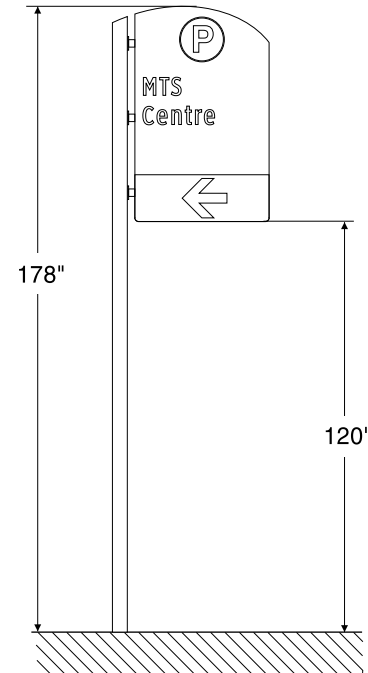
**Field Notes for Installation:**

Place at "Left Turn" sign location, place "Left Turn" sign on this pole underneath.

Pole Site Location W/S Carlton St north of York Av

Sign Panel	Panel Type
<b>PE7-F1</b>	<b>D "P"</b>

Pole Type	<b>D</b>
-----------	----------





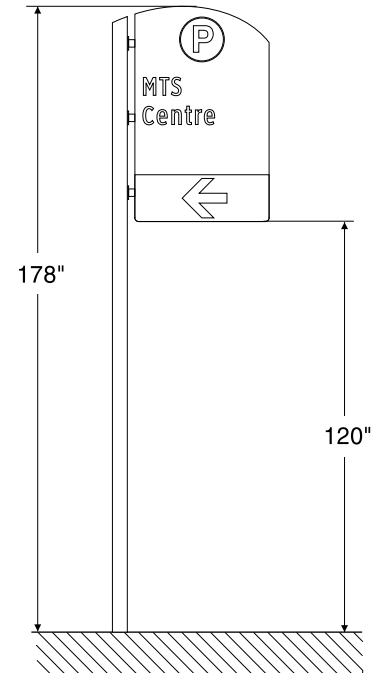
**Field Notes for Installation:**

Place at One-Way sign before lot entrance, put One-Way sign on this pole.

Pole Site Location N/S York Av west of Hargrave St

Sign Panel	Panel Type
<b>PE7-F2</b>	<b>D "P"</b>

Pole Type	<b>D</b>
-----------	----------





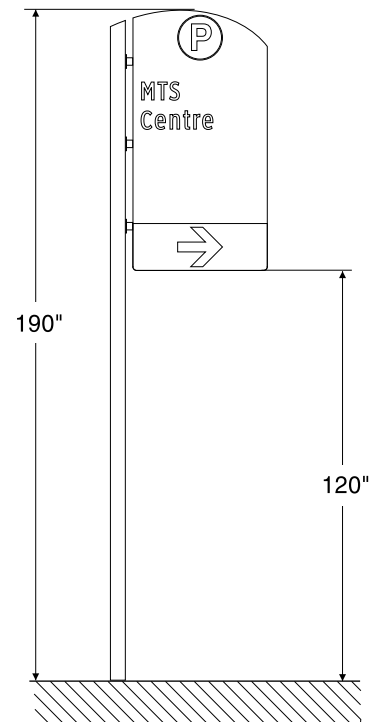
**Field Notes for Installation:**

By parking meter back from “No Stopping” sign pole.

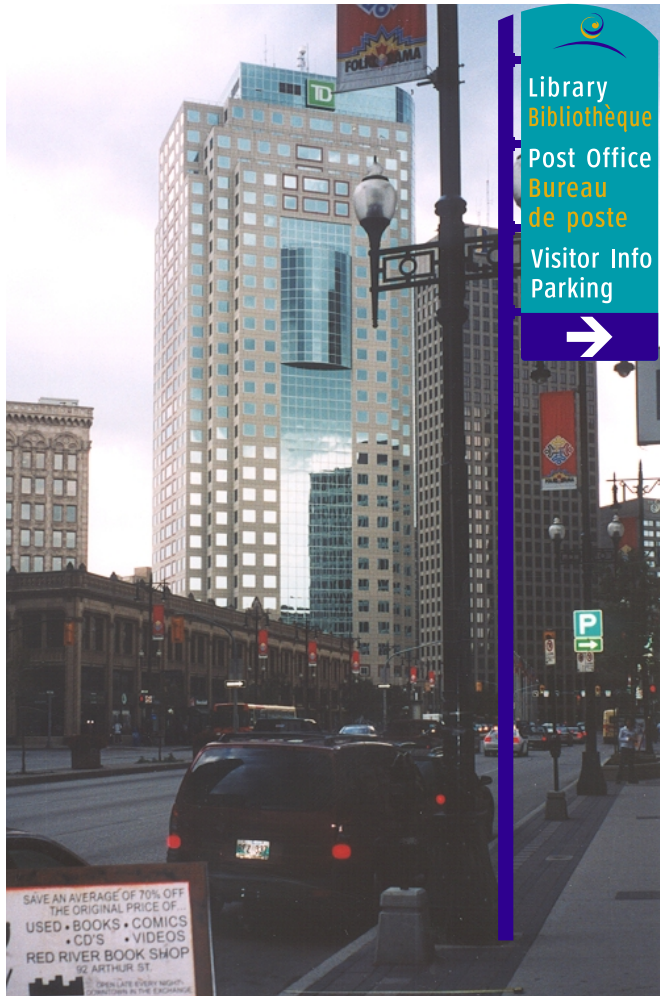
Pole Site Location W/S Donald St north of St Mary Av

Sign Panel	Panel Type
<b>PE8-F</b>	<b>C “P”</b>

Pole Type **C**



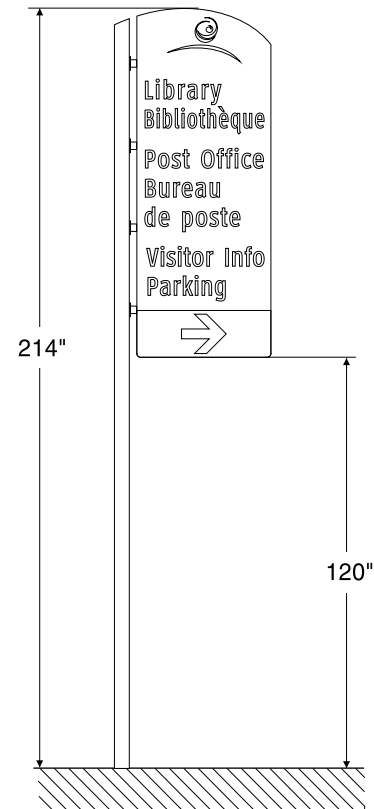




Pole Site Location S/S Portage Av west of Garry St

Sign Panel	Panel Type
<b>PE9</b>	<b>A logo</b>

Pole Type **A**



**Field Notes for Installation:**

In front of 2nd pole back from Garry, remove “P” sign on next pole.



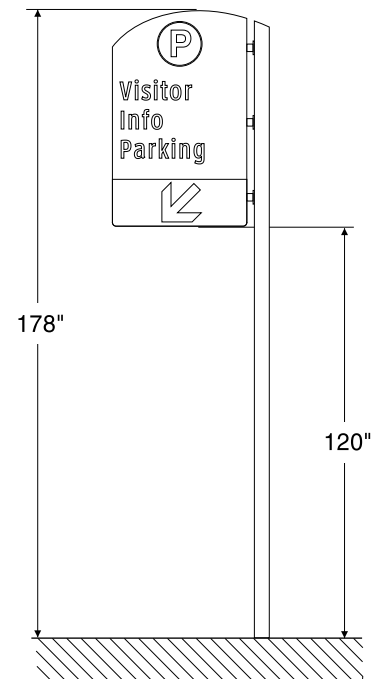
**Field Notes for Installation:**

At No Parking / One Way sign post. New pole — put existing signs on this pole.

Pole Site Location E/S Garry St south of Portage Av

Sign Panel	Panel Type
<b>PE9-F1</b>	<b>D "P" R</b>

Pole Type	<b>D</b>
-----------	----------





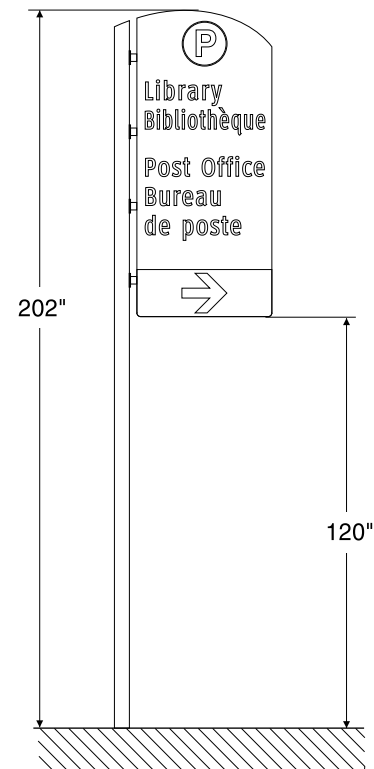
**Field Notes for Installation:**

6' in front of fire hydrant sign pole, after loading dock for Post Office.

Pole Site Location W/S Garry north of St Mary Av

Sign Panel	Panel Type
<b>PE9-F2</b>	<b>B "P"</b>

Pole Type	<b>B</b>
-----------	----------





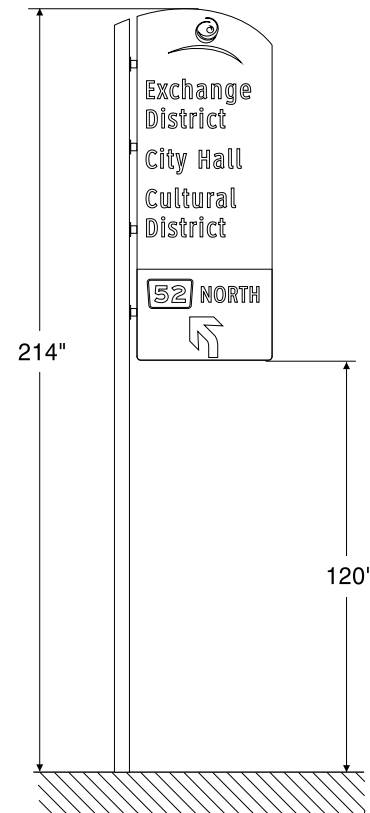
**Field Notes for Installation:**

8' in front of black pole (2nd back from Notre Dame).

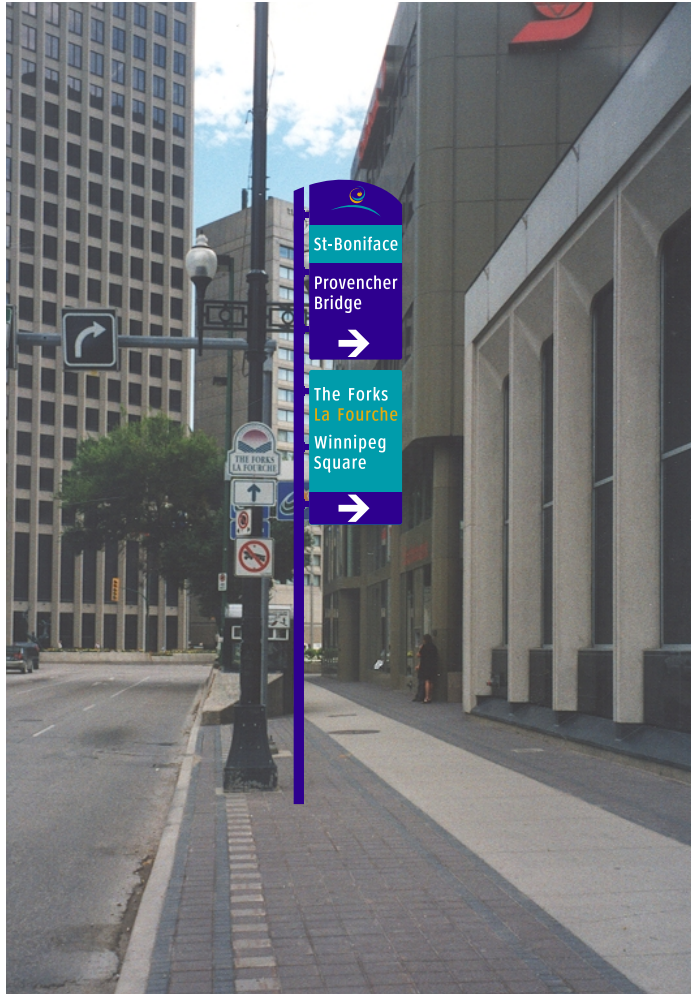
Pole Site Location S/S Portage Av east of Fort St

Sign Panel	Panel Type
<b>PE10</b>	<b>A logo</b>

Pole Type **A**





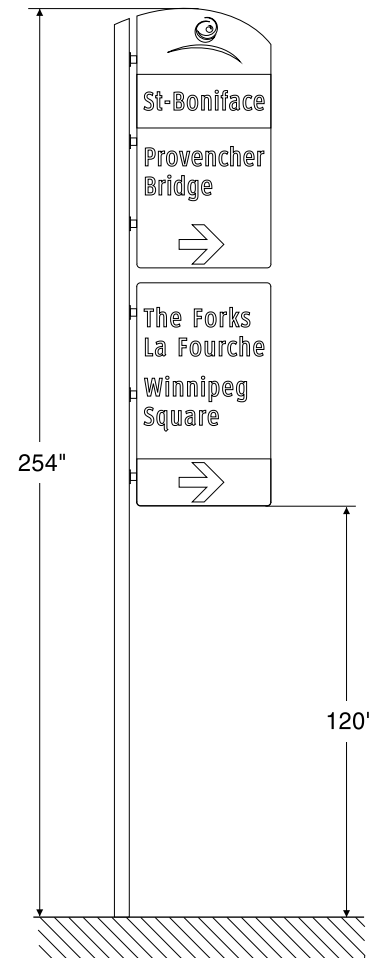


**Field Notes for Installation:**

½ between 1st & 2nd black light poles back from Main  
(before pole with Forks sign, to be removed.)

Pile Site Location S/S Portage Av west of Main St

Sign Panel	Panel Type
<b>PE11-U</b>	<b>C logo</b>
<b>PE11-L</b>	<b>C lower</b>
Pole Type	<b>C+C</b>





**Field Notes for Installation:**

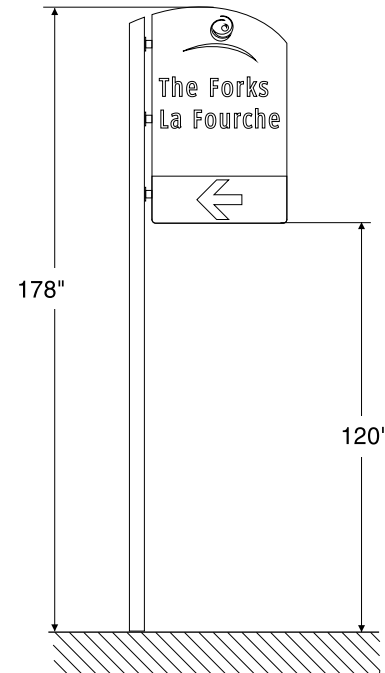
In median in front of light pole. Sign edge 2' from curb edge.  
Remove existing signs in median.

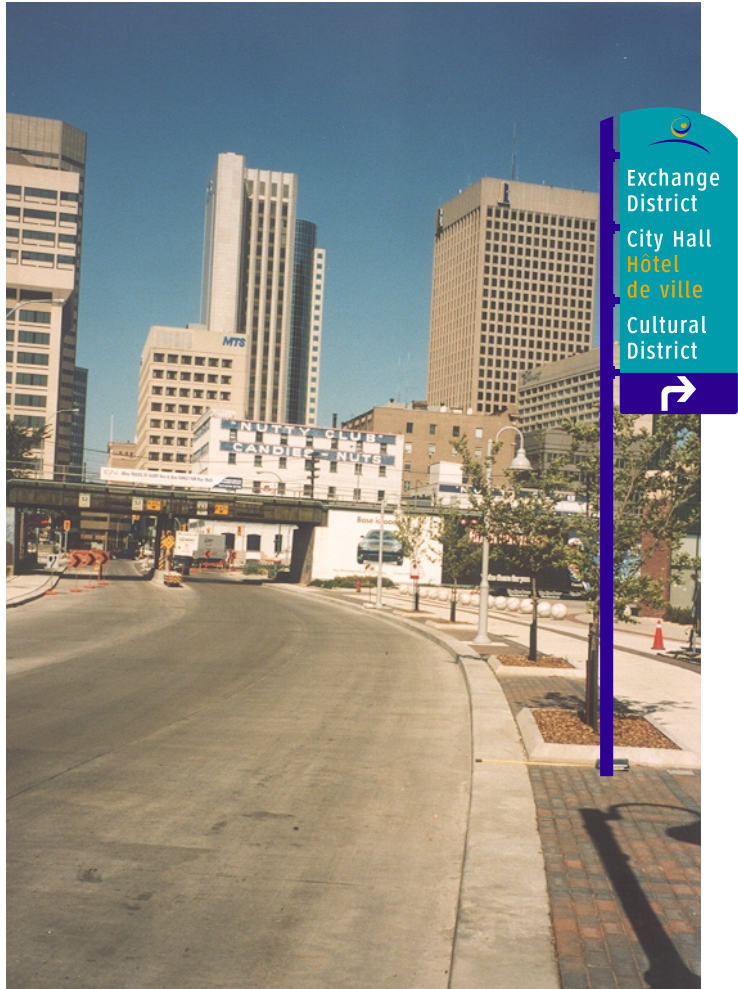
Pole Site Location S/S Pioneer Av east of Waterfront Dr

Sign Panel Panel Type

**PiW2** **D logo**

Pole Type **D**





**Field Notes for Installation:**

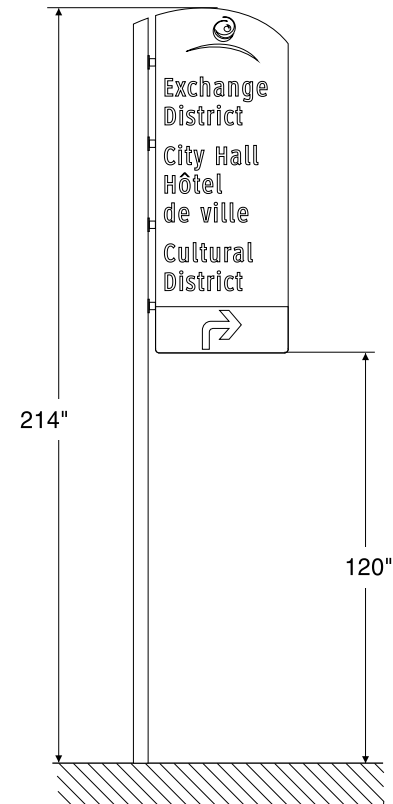
Before 2nd pole back from train overpass.

Pole Site Location N/S Pioneer Av west of Waterfront Dr

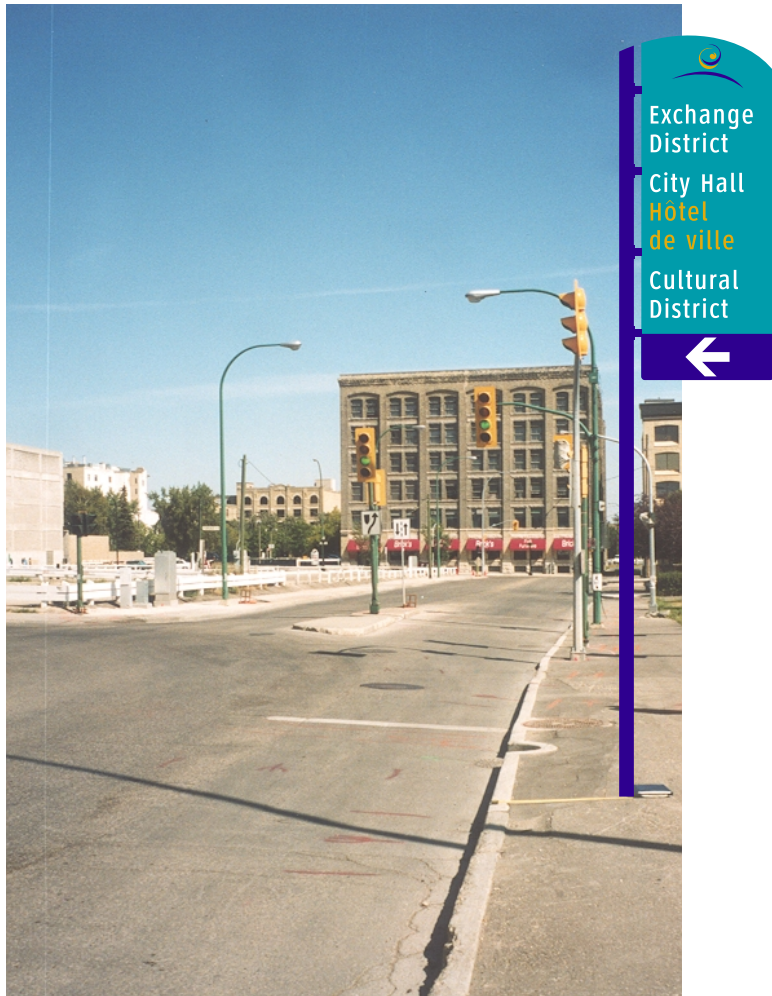
Sign Panel	Panel Type
------------	------------

<b>PiW3</b>	<b>A logo</b>
-------------	---------------

Pole Type	<b>A</b>
-----------	----------







**Field Notes for Installation:**

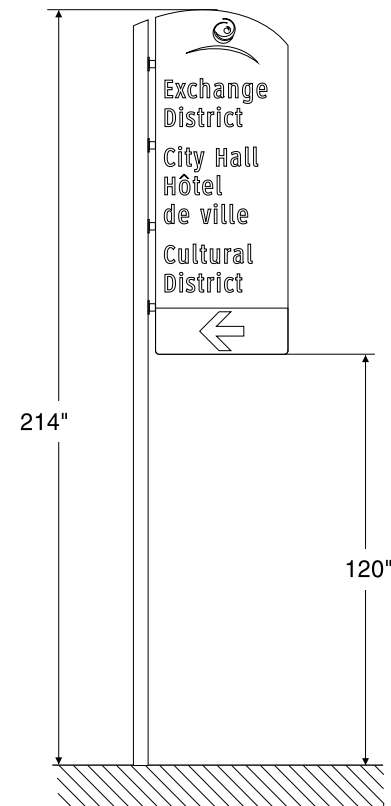
35' back from corner.

Pile Site Location E/S Westbrook St south of

Portage Av E.

Sign Panel	Panel Type
<b>PiW3-F</b>	<b>A logo</b>

Pole Type **A**







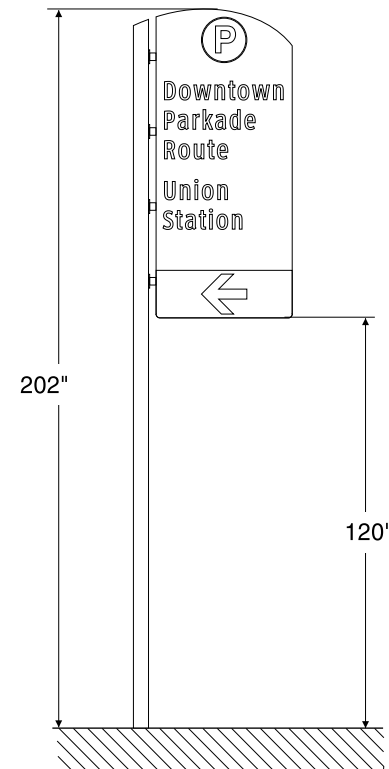
**Field Notes for Installation:**

Left side 60' beyond Westbrook where sidewalk narrows, pole to left.

Pole Site Location N/S Pioneer Av east of Main St

Sign Panel	Panel Type
<b>PiW5</b>	<b>B "P"</b>

Pole Type	<b>B</b>
-----------	----------





**Field Notes for Installation:**

Basically just a repeat of PiW5, but have a “left around barrier” symbol, 20' beyond driveway entrance to lot on left side.

Pole Site Location S/S Pioneer Av east of Westbrook St

Sign Panel	Panel Type
<b>PiW6</b>	<b>B “P”</b>

Pole Type **B**

