



Field Notes for Installation:

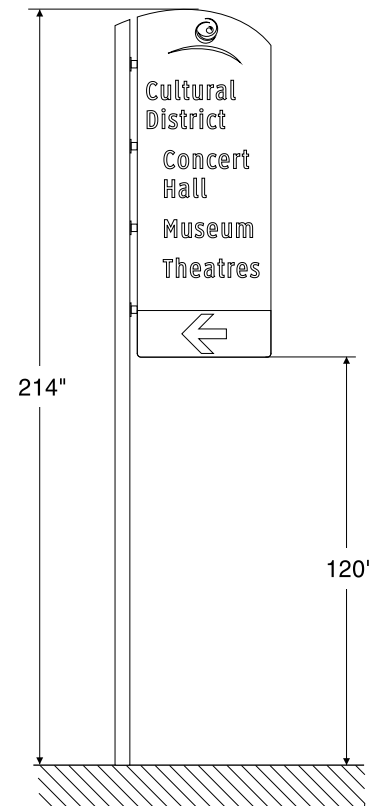
Between 1st and 2nd meters before Pacific.

Pole Site Location W/S Main St south of Disraeli Frwy

Sign Panel Panel Type

MS1 **A logo**

Pole Type **A**





Field Notes for Installation:

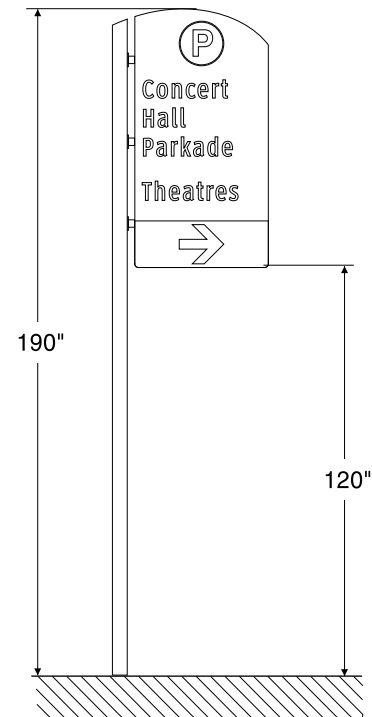
On side of building at “No Stopping” pole.

Pole Site Location S/S Rupert Av opposite Martha St

Sign Panel Panel Type

MS1-F **C “P”**

Pole Type **C**



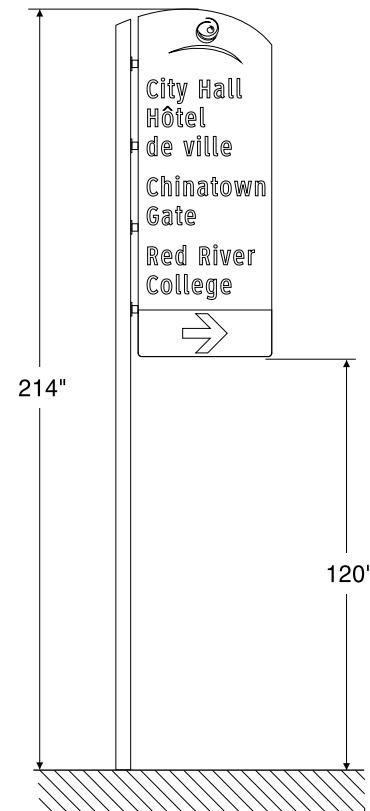


Field Notes for Installation:
25' beyond pacific corner.

Pole Site Location W/S Main St south of Pacific Av

Sign Panel	Panel Type
MS2	A logo

Pole Type **A**





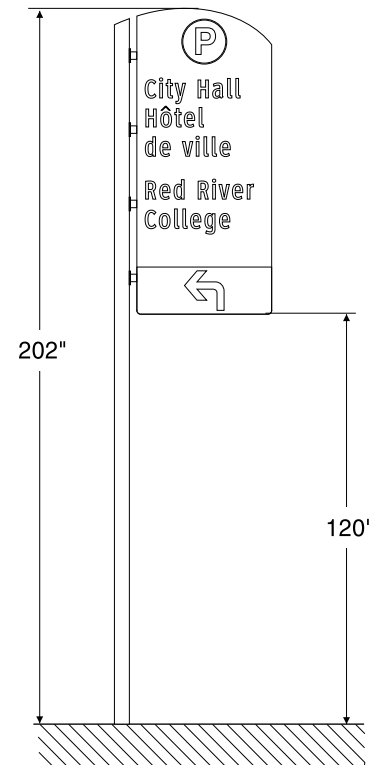
Field Notes for Installation:

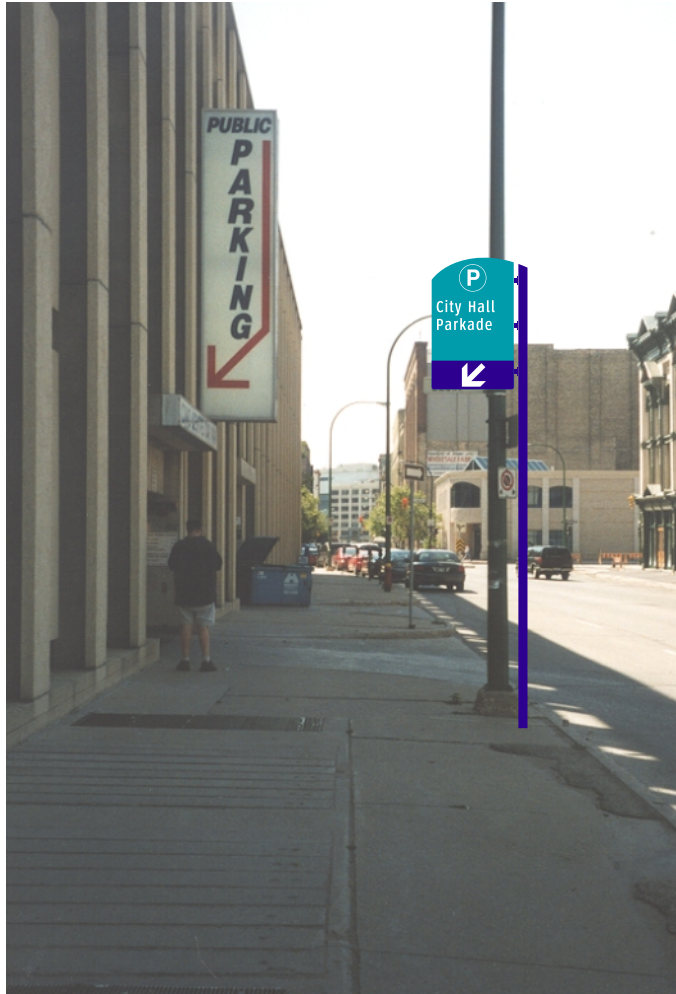
At 2nd parking meter back from alley.

Pole Site Location N/S Rupert Av east of Princess St

Sign Panel	Panel Type
MS2-F1	B "P"

Pole Type **B**





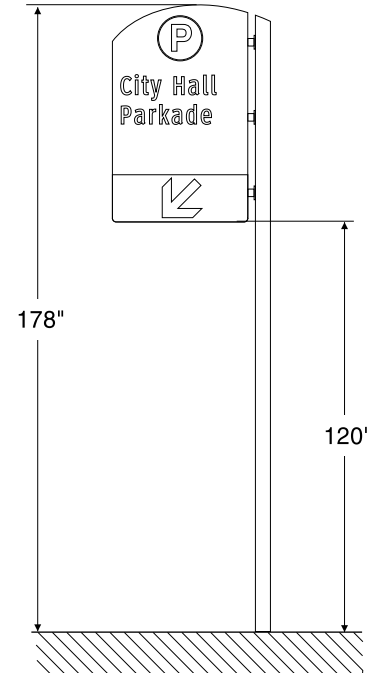
Pole Site Location E/S Princess St opposite Elgin Av

Sign Panel	Panel Type
MS2-F2	D "P" R

Pole Type **D**

Field Notes for Installation:

In front of light pole before driveway entrance.



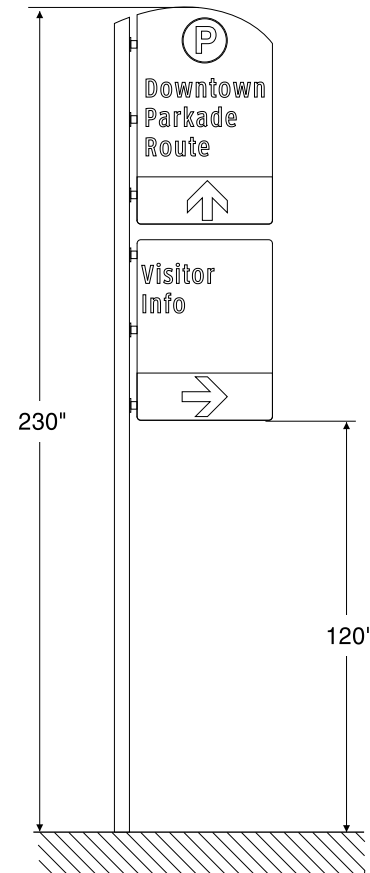


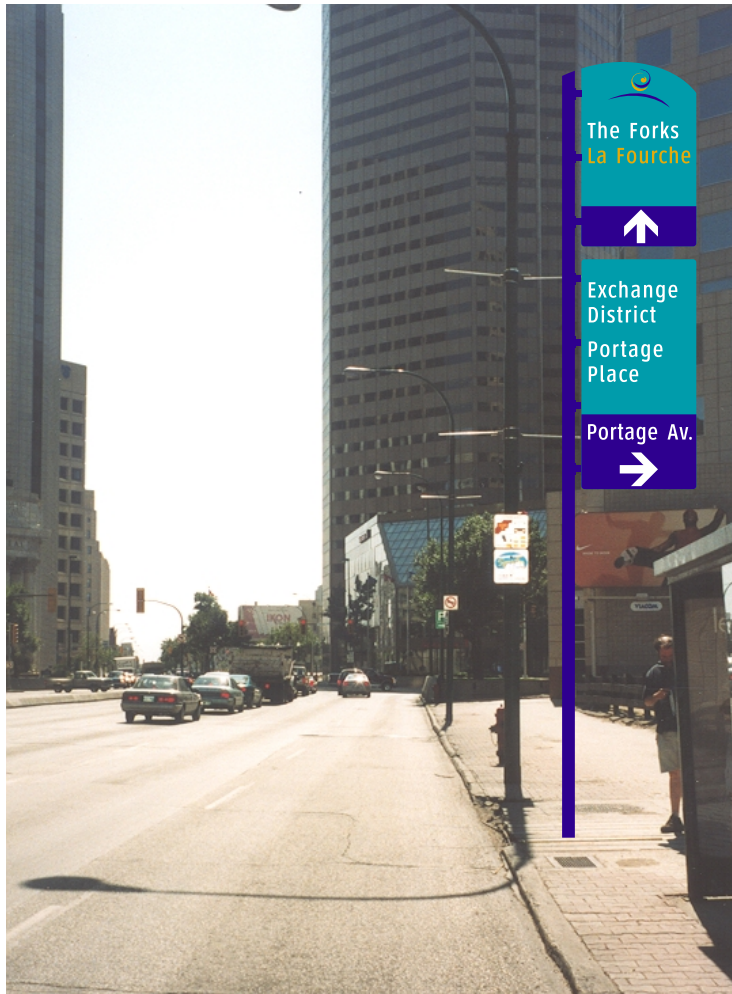
Field Notes for Installation:

Just before concrete abutment before intersection.

Pile Site Location W/S Main St north of Portage Av

Sign Panel	Panel Type
MS3-U	D "P"
MS3-L	D lower
Pole Type	D+D

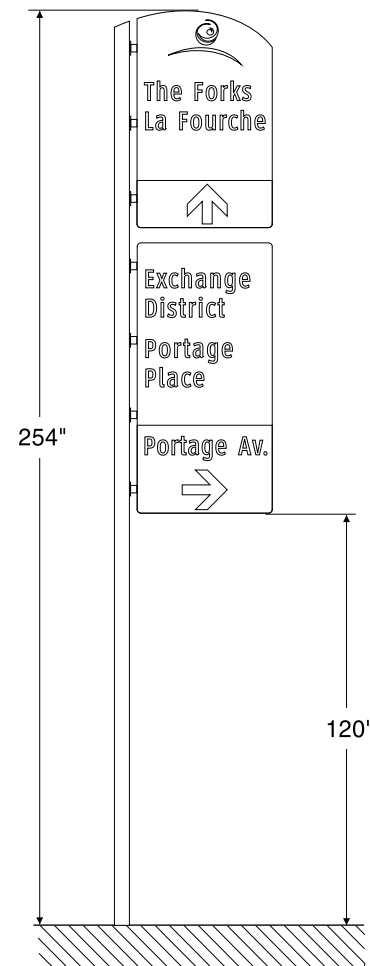




Field Notes for Installation:
Just beyond bus shelter.

Pole Site Location W/S Main St opposite Lombard Av

Sign Panel	Panel Type
MS4-U	D logo
MS4-L	B lower
Pole Type	D+B



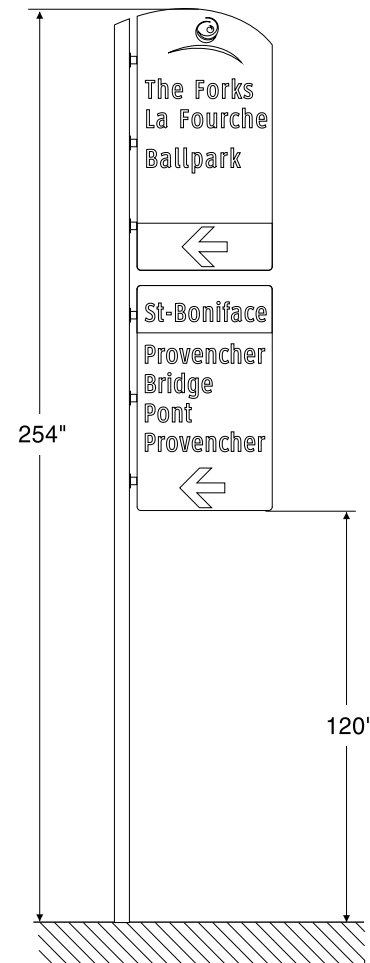


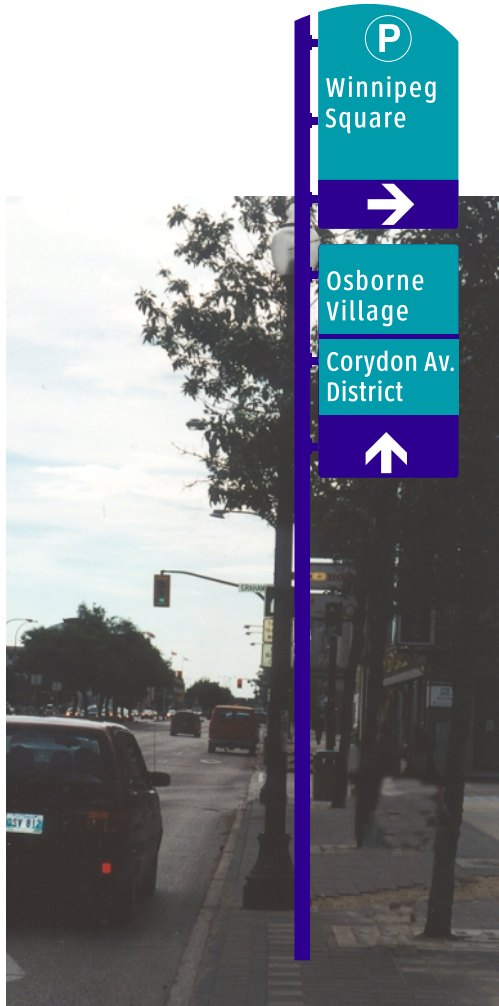
Field Notes for Installation:

10' in front of light pole just beyond bus shelters.

Pole Site Location W/S Main St opposite Pioneer Av

Sign Panel	Panel Type
MS6-U	C logo
MS6-L	C lower
Pole Type	C+C



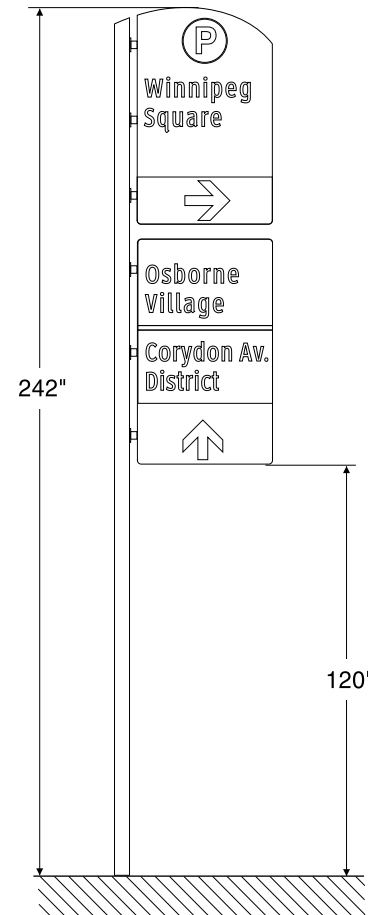


Field Notes for Installation:

20' in front of 2nd pole back from Graham, at edge of out-stair from Winnipeg Square.

Pole Site Location W/S Main St opposite Water Av

Sign Panel	Panel Type
MS7-U	D "P"
MS7-L	C lower
Pole Type	D+C





Field Notes for Installation:

Just beyond driveway, before out-drive from Hampton Inn, at "No Stopping."

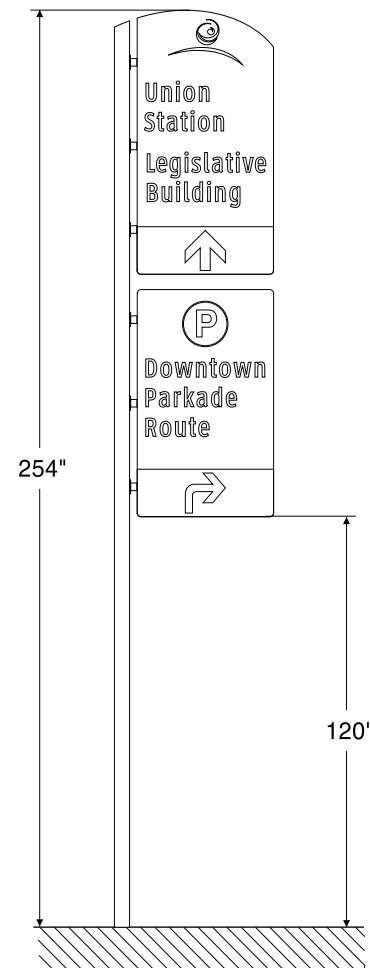
Pole Site Location W/S Main St north of St Mary Av

Sign Panel	Panel Type
------------	------------

MS8-U	C logo
--------------	---------------

MS8-L	C lower
--------------	----------------

Pole Type	C+C
-----------	------------





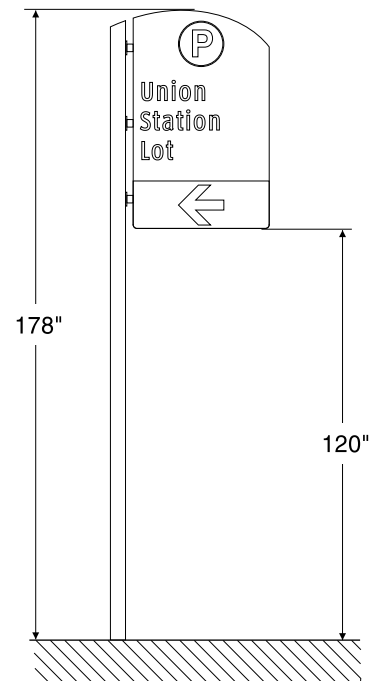
Field Notes for Installation:

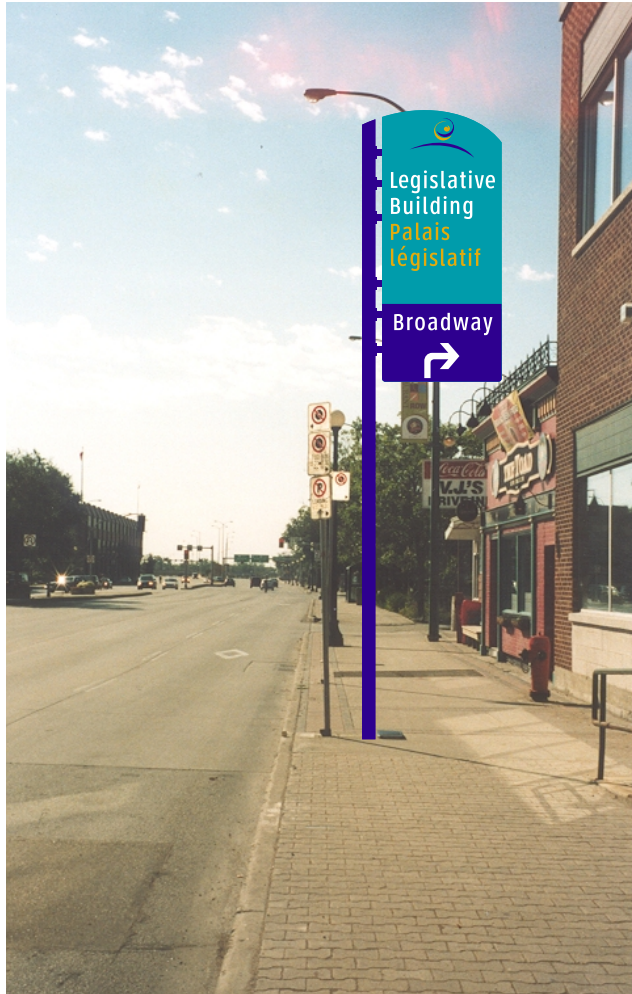
12' beyond overhead arm pole approx 100' beyond York.

Pole Site Location W/S Main St south of York Av

Sign Panel	Panel Type
MS9	D "P"

Pole Type **D**





Field Notes for Installation:

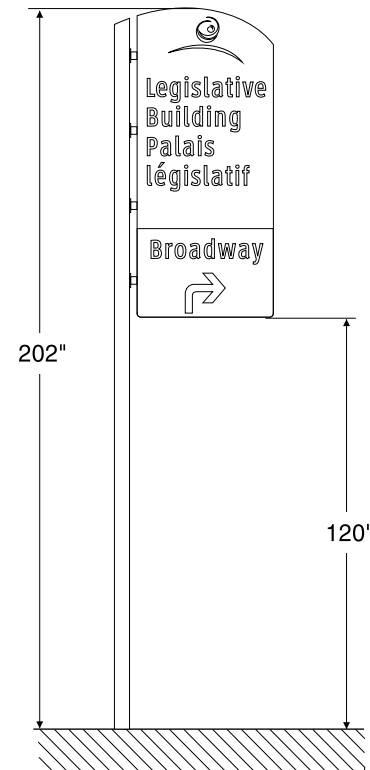
2nd "No Parking" sign, 80' Back from VJ's Drive.

Pole Site Location W/S Main St north of Broadway

Sign Panel Panel Type

MS10 **B logo**

Pole Type **B**





Field Notes for Installation:

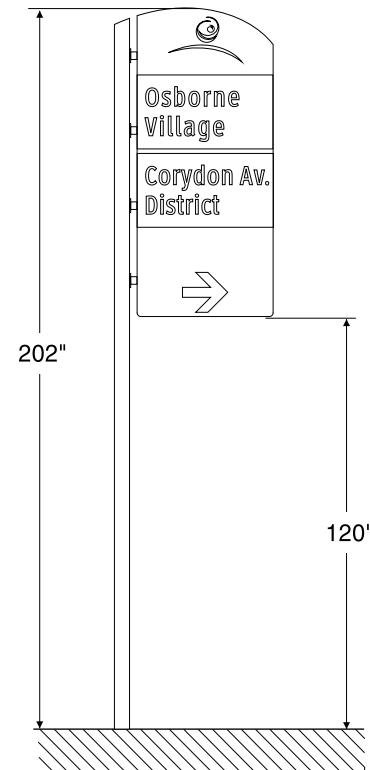
Just 13' ahead of VJ's Drive-in in brick work.

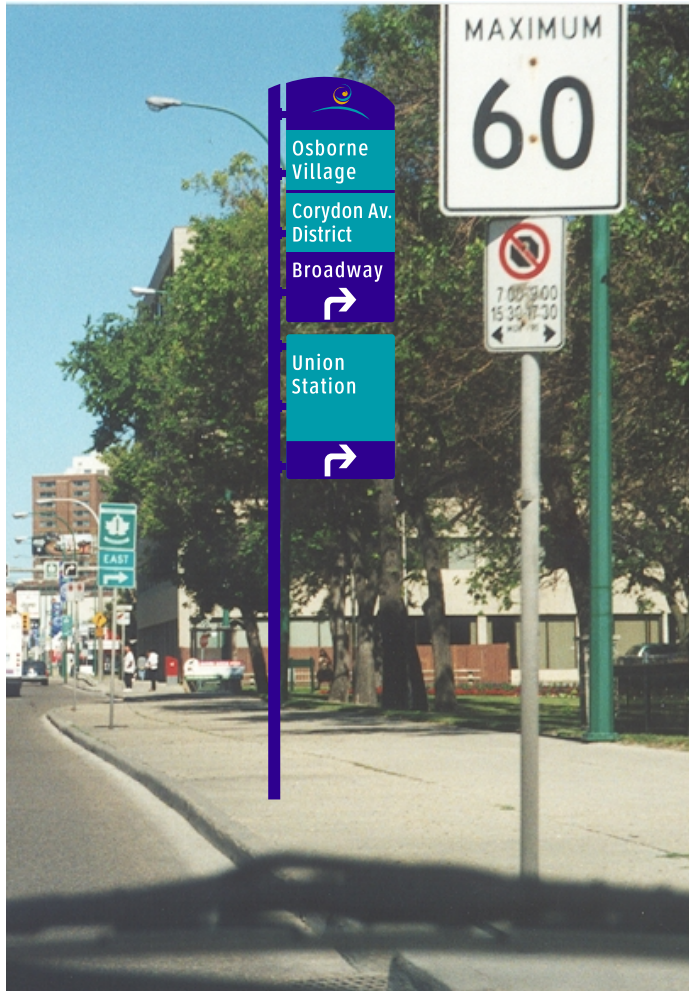
Pole Site Location W/S Main St north of Broadway

Sign Panel Panel Type

MS11 **B logo**

Pole Type **B**





Field Notes for Installation:

10' in front of 2nd green light post back from street,
 1/2 between speed limit and 1 East sign.

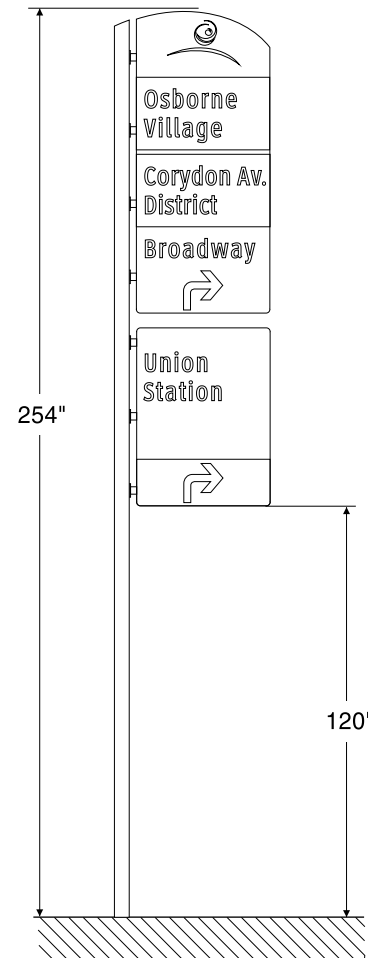
Pile Site Location S/S Portage Av west of Canora St

Sign Panel	Panel Type
------------	------------

PE2-U	B logo
--------------	---------------

PE2-L	D lower
--------------	----------------

Pole Type	B+D
-----------	------------



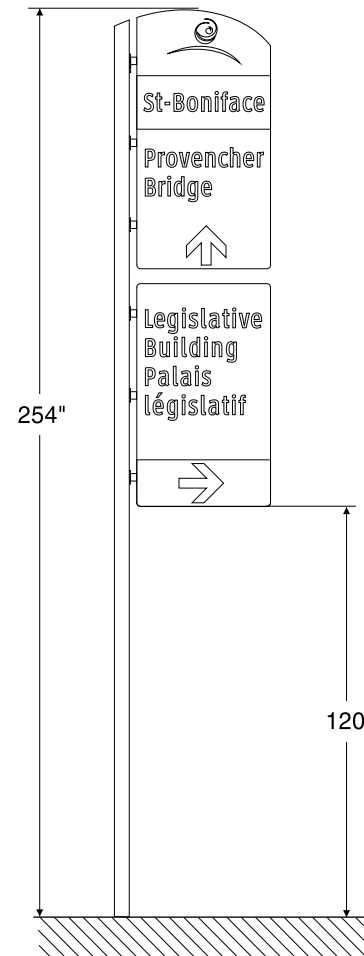


Field Notes for Installation:

At “No Parking” sign pole before 2nd light pole (has 62 South AR) before Memorial, move pole in 3' or more so “62 S” sign not blocked.

Pole Site Location S/S Portage Av east of Good St

Sign Panel	Panel Type
PE3-U	C logo
PE3-L	C lower
Pole Type	C+C





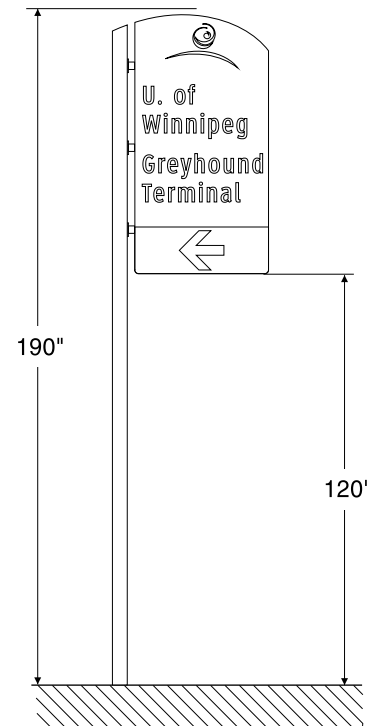
Field Notes for Installation:

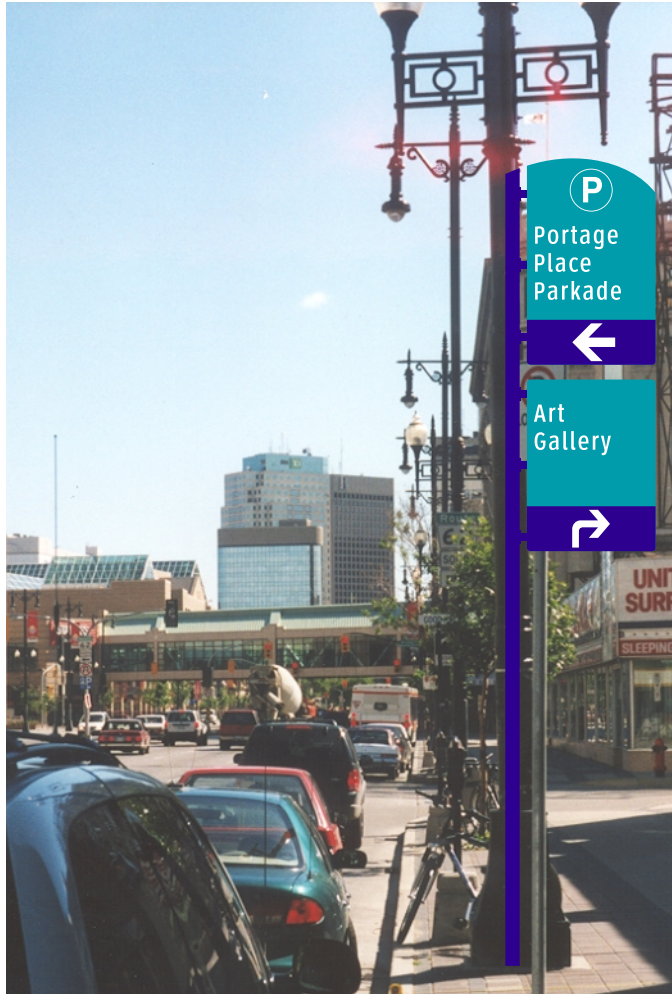
Place at pole with snowroute & two “No Parking” signs — put these on new pole.
 Place wayfinder sign at least 1' above those signs, after 2nd black pole after St. Mary Ave.

Pole Site Location S/S Portage Ave west of Balmoral St

Sign Panel	Panel Type
PE4	C logo

Pole Type **C**



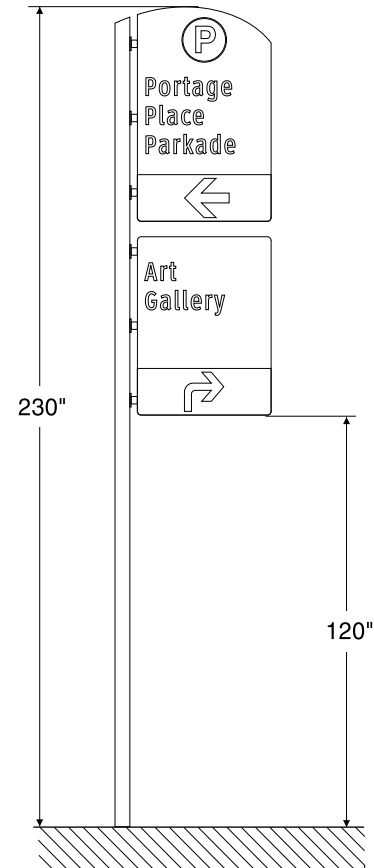


Field Notes for Installation:

3' in front of 2nd pole back from Good St.

Pole Site Location S/S Portage Av west of Good St

Sign Panel	Panel Type
PE5-U	D "P"
PE5-L	D lower
Pole Type	D+D





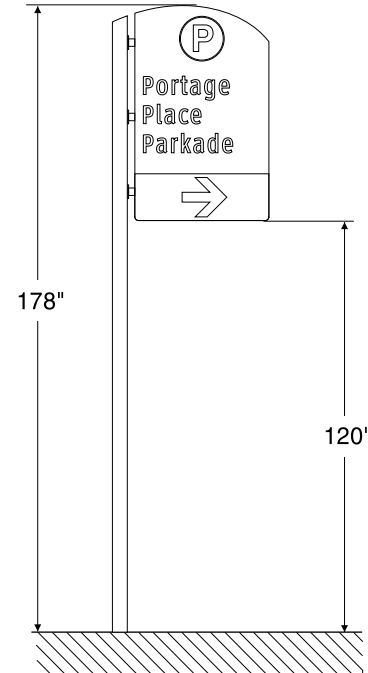
Field Notes for Installation:

Just before sewer grate 10' beyond alley.

Pole Site Location E/S Colony St south of Ellice Av

Sign Panel	Panel Type
PE5-F1	D "P"

Pole Type	D
-----------	----------



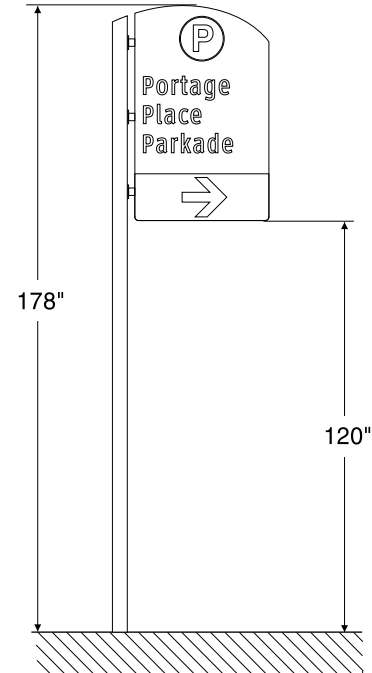


Field Notes for Installation:
12' beyond lot entrance.

Pole Site Location S/S Ellice Av east of Edmonton St

Sign Panel	Panel Type
PE5-F2	D "P"

Pole Type	D
-----------	----------





Field Notes for Installation:

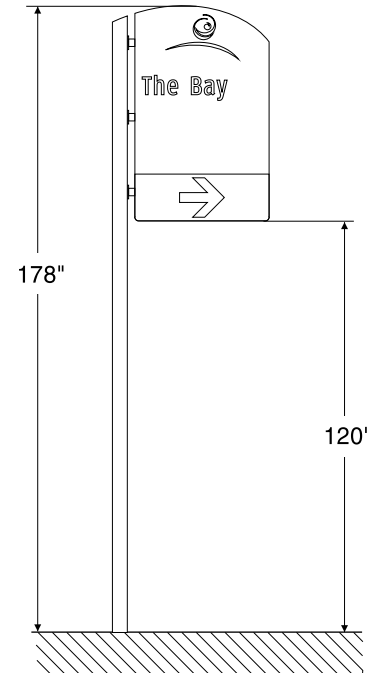
Right before 2nd tree before Kennedy.

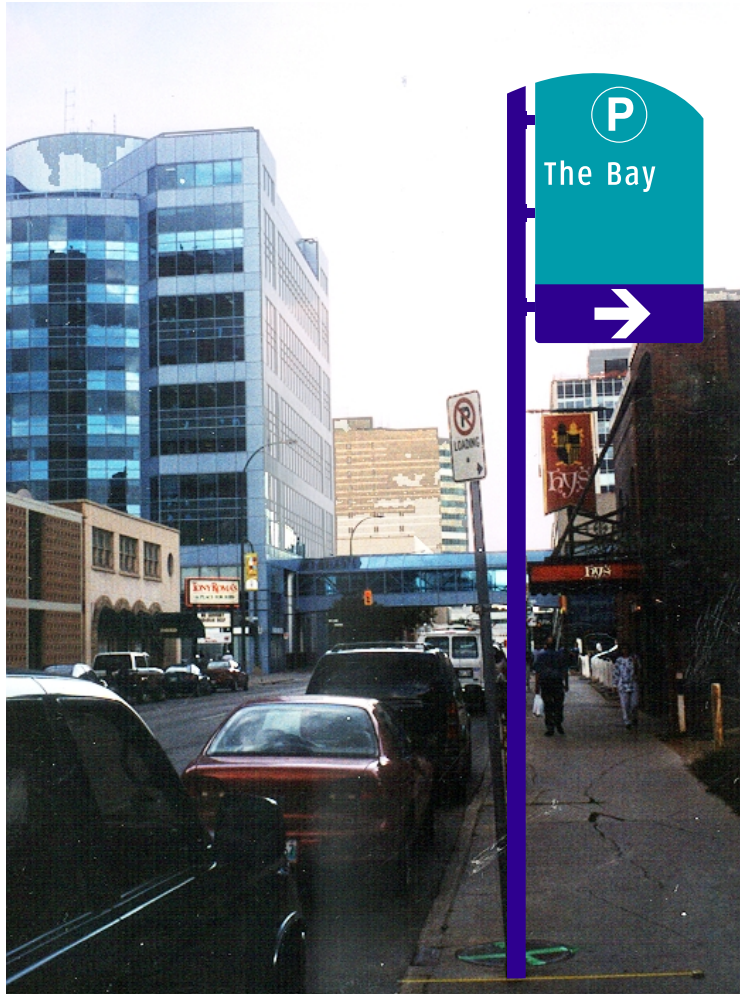
Pole Site Location S/S Portage Av west of Kennedy St

Sign Panel Panel Type

PE6 **D logo**

Pole Type **D**

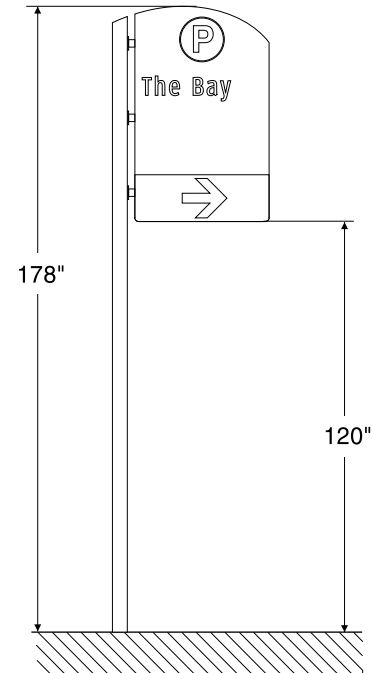




Pole Site Location W/S Kennedy St north of St Mary Av

Sign Panel	Panel Type
PE6-F	D "P"

Pole Type	D
-----------	----------



Field Notes for Installation:

At second "No Parking" sign before overhang.

Pole Site Location S/S Portage Av west of Carlton St

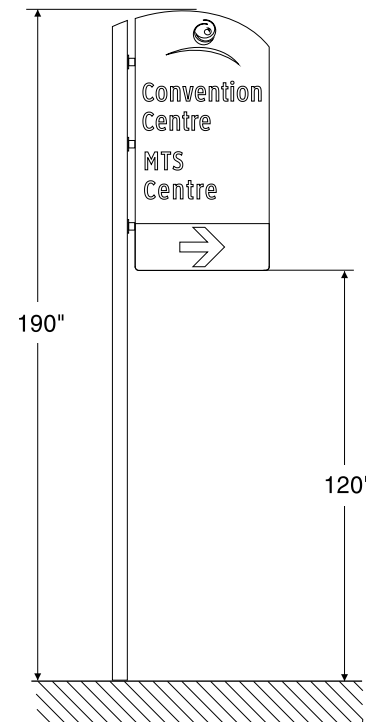
Sign Panel	Panel Type
PE7	C logo

Pole Type	C
-----------	----------



Field Notes for Installation:

In Carlton-end of planter box that immediately follows Edmonton, pole edge 2' from curb.





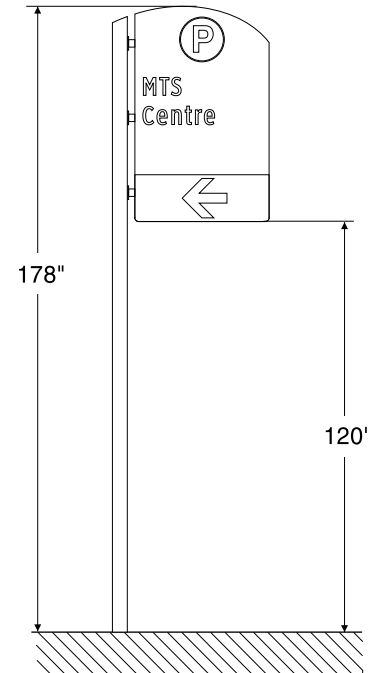
Field Notes for Installation:

Place at "Left Turn" sign location, place "Left Turn" sign on this pole underneath.

Pole Site Location W/S Carlton St north of York Av

Sign Panel	Panel Type
PE7-F1	D "P"

Pole Type	D
-----------	----------





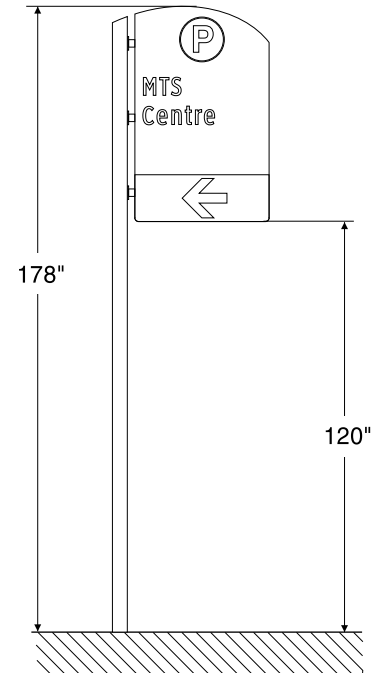
Field Notes for Installation:

Place at One-Way sign before lot entrance, put One-Way sign on this pole.

Pole Site Location N/S York Av west of Hargrave St

Sign Panel	Panel Type
PE7-F2	D "P"

Pole Type	D
-----------	----------





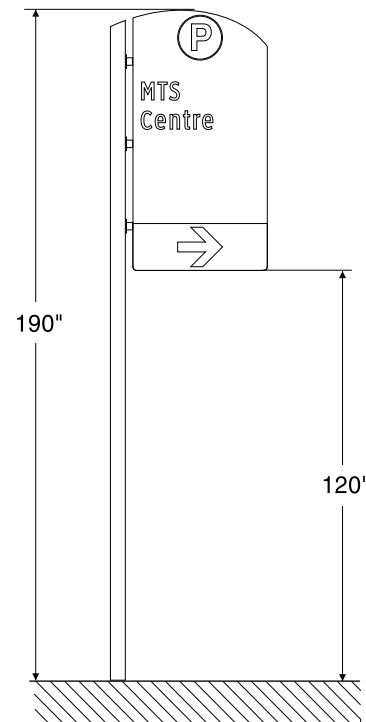
Field Notes for Installation:

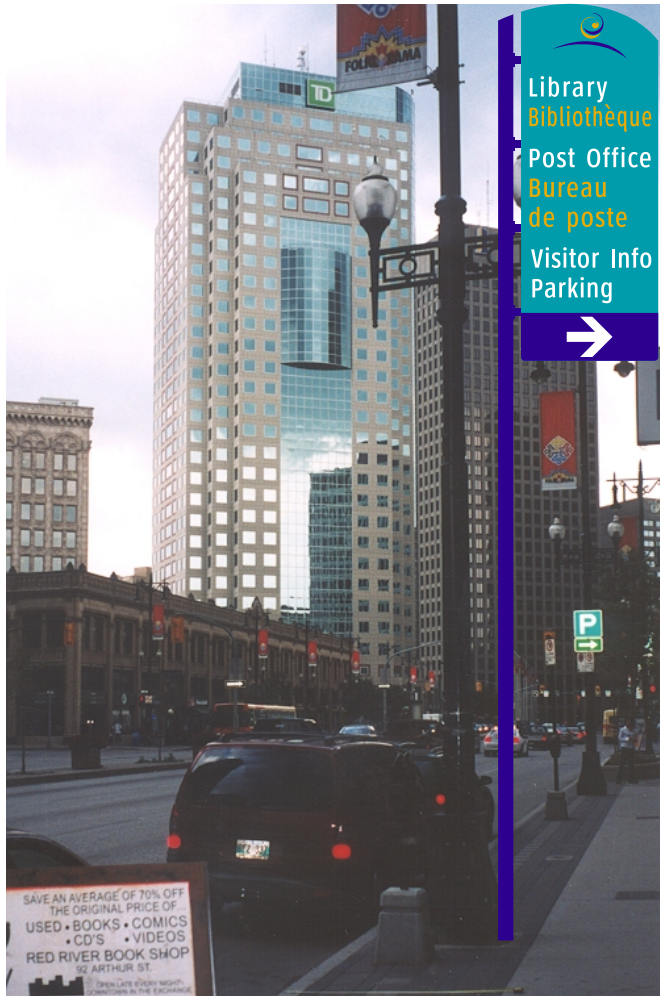
By parking meter back from no stopping sign pole.

Pole Site Location W/S Donald St north of St Mary Av

Sign Panel	Panel Type
PE8-F	C "P"

Pole Type	C
-----------	----------





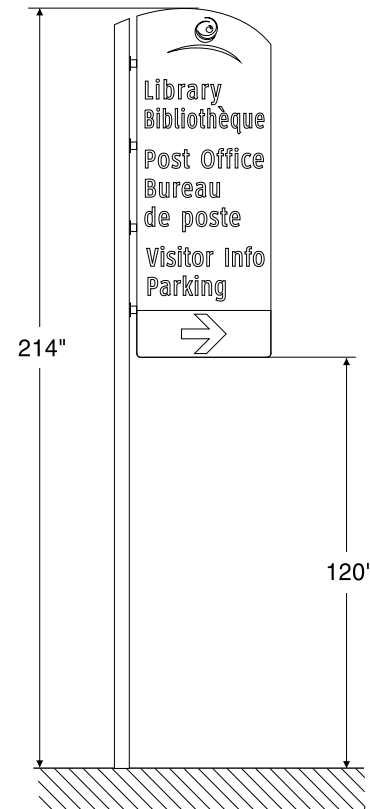
Field Notes for Installation:

In front of 2nd pole back from Garry, remove “P” sign on next pole.

Pole Site Location S/S Portage Av west of Garry St

Sign Panel	Panel Type
PE9	A logo

Pole Type **A**





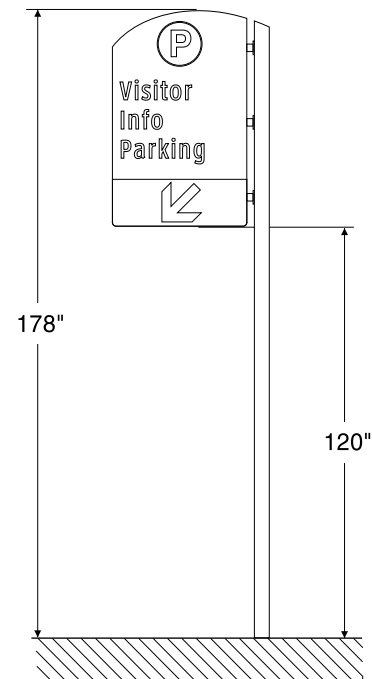
Field Notes for Installation:

At No Parking / One Way sign post. New pole — put existing signs on this pole.

Pole Site Location E/S Garry St south of Portage Av

Sign Panel	Panel Type
PE9-F1	D "P" R

Pole Type	D
-----------	----------





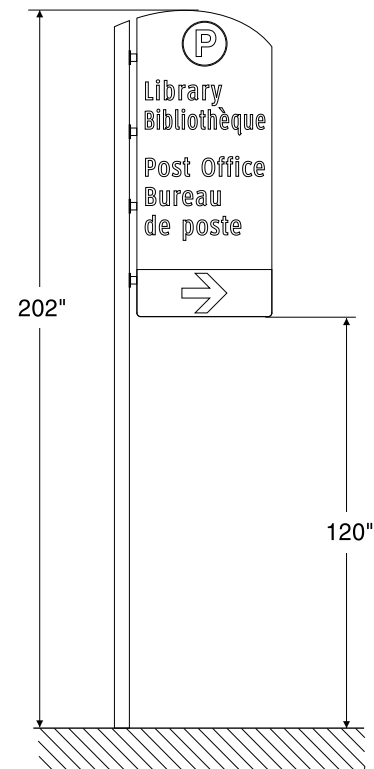
Field Notes for Installation:

6' in front of fire hydrant sign pole, after loading dock for Post Office.

Pole Site Location W/S Garry north of St Mary Av

Sign Panel	Panel Type
PE9-F2	B "P"

Pole Type	B
-----------	----------





Field Notes for Installation:

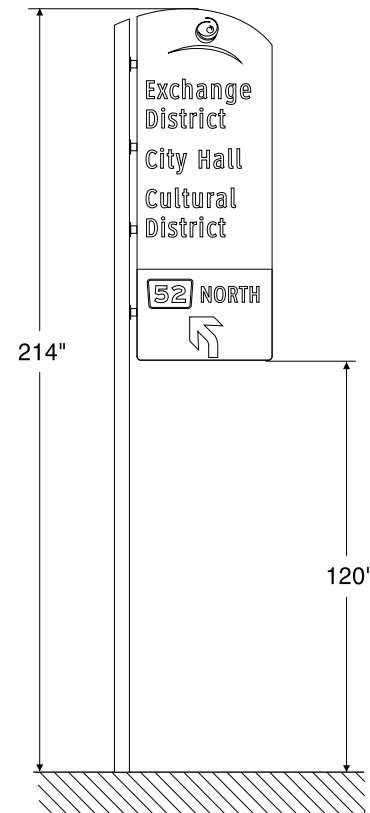
8' in front of black pole (2nd back from Notre Dame).

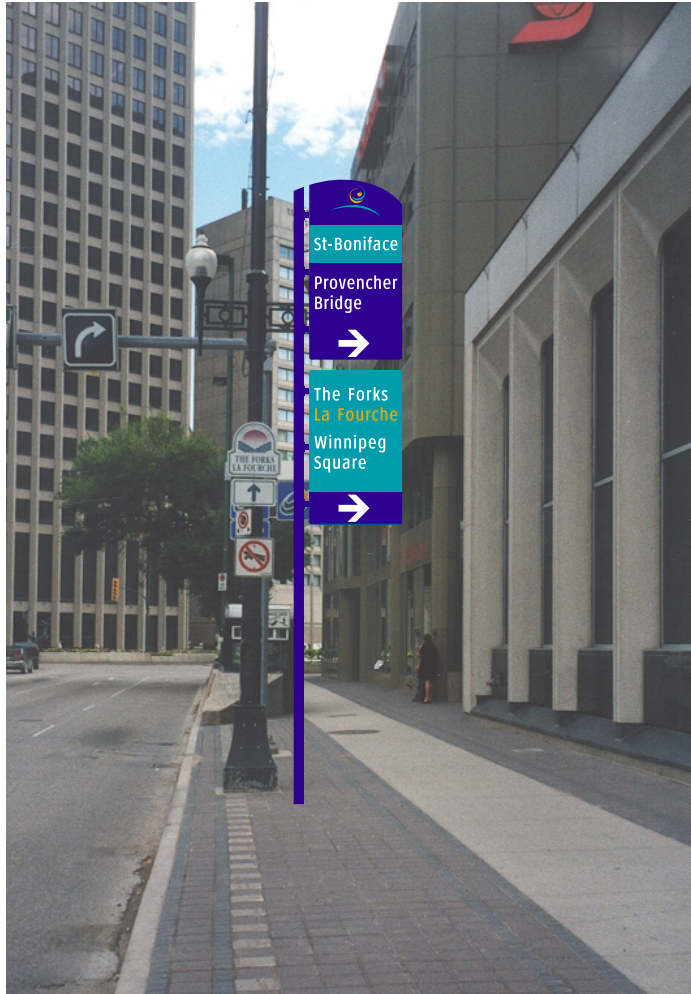
Pole Site Location S/S Portage Av east of Fort St

Sign Panel Panel Type

PE10 **A logo**

Pole Type **A**





Field Notes for Installation:

½ between 1st & 2nd black light poles back from Main
(before pole with Forks sign, to be removed.)

Pile Site Location S/S Portage Av west of Main St

Sign Panel	Panel Type
PE11-U	C logo
PE11-L	C lower
Pole Type	C+C

