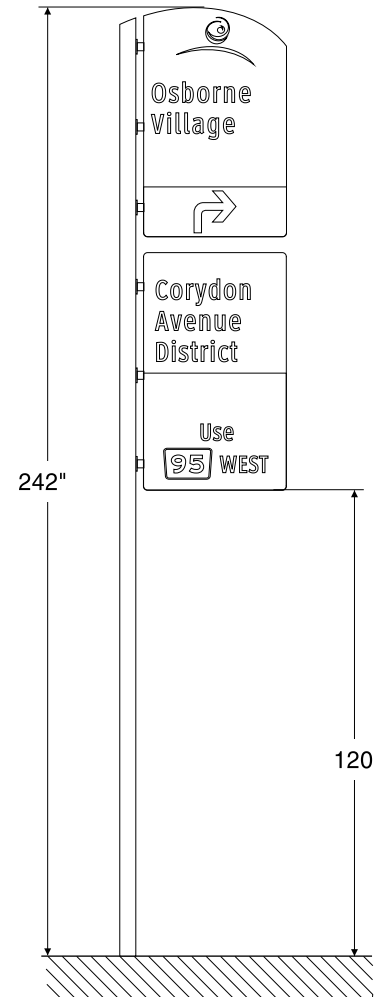


**Field Notes for Installation:**  
 Right side just past lot.

Pole Site Location N/S McMillan Av west of Scott St

Sign Panel	Panel Type
<b>CC1-U</b>	<b>D logo</b>
<b>CC1-L</b>	<b>C lower</b>
Pole Type	<b>D+C</b>





**Field Notes for Installation:**

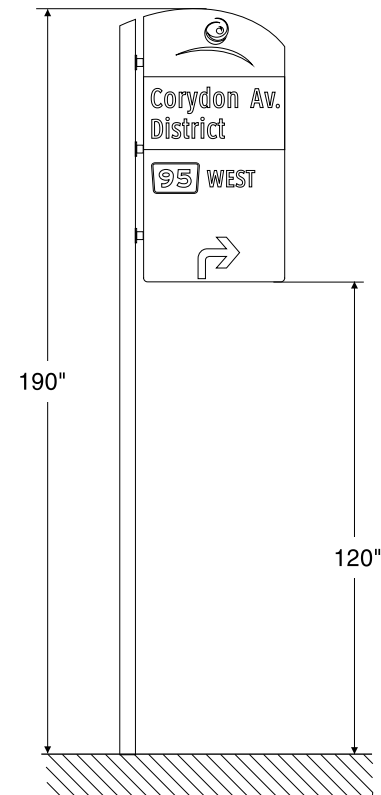
In front of 3rd light pole back from corner.

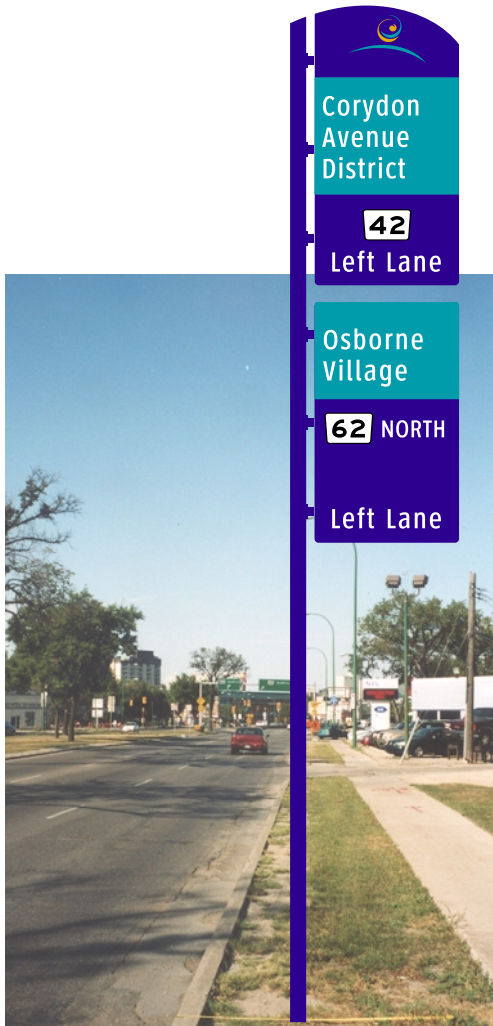
Pole Site Location E/S Osborne St south of Gertrude Av

Sign Panel Panel Type

**CC5** **C logo**

Pole Type **C**



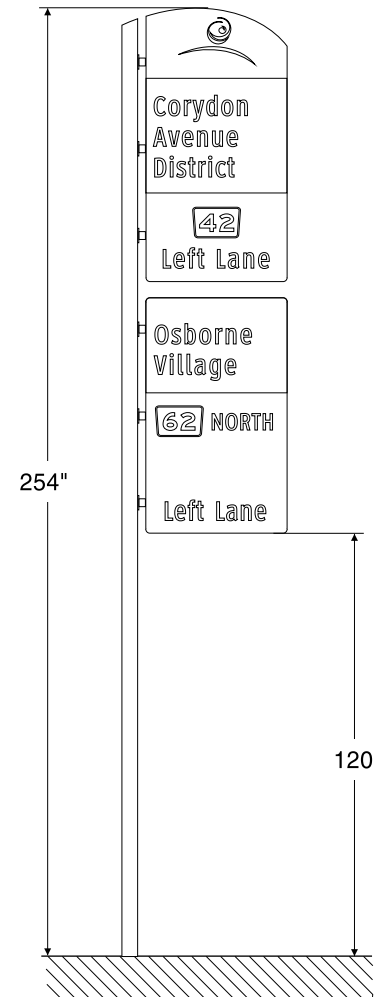


**Field Notes for Installation:**

At light pole just beyond Warsaw.

Pile Site Location E/S Pembina Hwy north of Warsaw Av

Sign Panel	Panel Type
<b>CC8-U</b>	<b>C logo</b>
<b>CC8-L</b>	<b>C lower</b>
Pole Type	<b>C+C</b>





**Field Notes for Installation:**

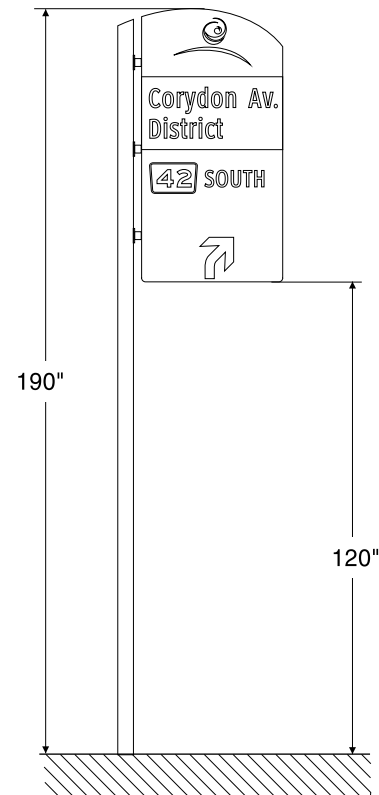
Place before green light pole with 2 “No-Stop” & 1 “Parking” sign just before drive to 360 S. Osborne Place apartments.

Pole Site Location E/S Osborne south of Mulvey Av (just south of 360 Osborne St)

Sign Panel Panel Type

**CC9** **C logo**

Pole Type **C**



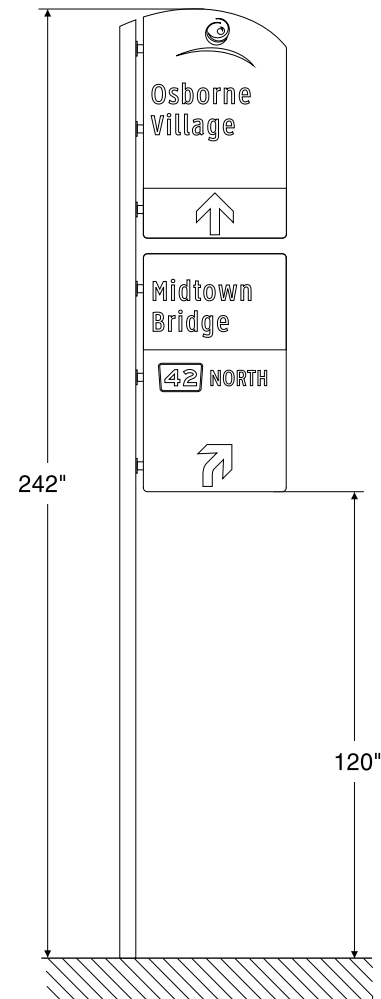


**Field Notes for Installation:**

Place before light pole after last driveway before big green map-sign.

Pole Site Location E/S Osborne St south of Mulvey Av  
(near large green directional sign)

Sign Panel	Panel Type
<b>CC10-U</b>	<b>D logo</b>
<b>CC10-L</b>	<b>C lower</b>
Pole Type	<b>D+C</b>





**Field Notes for Installation:**

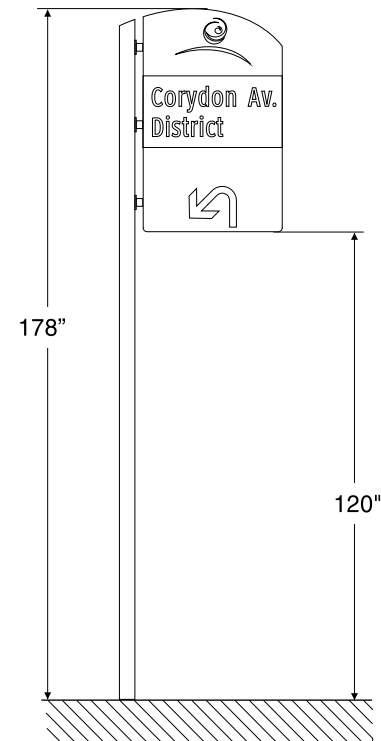
Place between trees, but in line with light pole that is 2nd back before ramp. Confirm use of arrow.

Pole Site Location N/S Corydon Av east of Osborne St

Sign Panel Panel Type

**CC11** **D logo**

Pole Type **D**





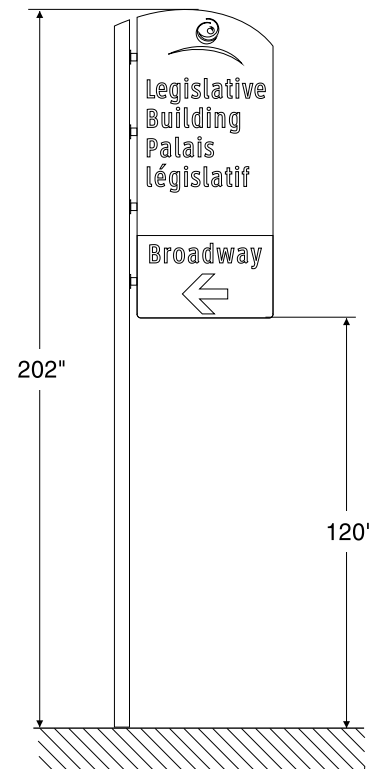
**Field Notes for Installation:**

12' back from tree that's just after driveway to private lot.

Pole Site Location E/S Main St opposite Assiniboine Av

Sign Panel	Panel Type
<b>MN1</b>	<b>B logo</b>

Pole Type **B**

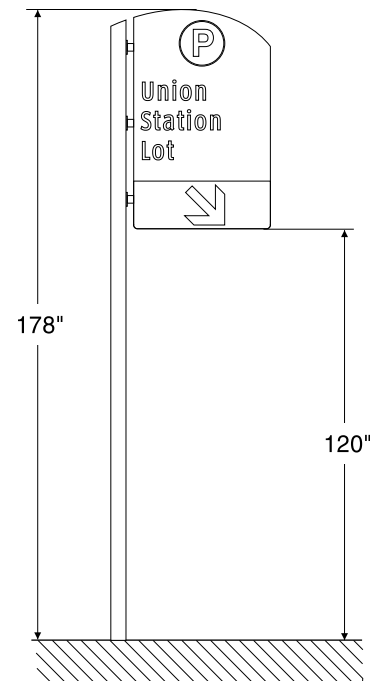




Pole Site Location E/S Main St north of Broadway

Sign Panel	Panel Type
<b>MN2</b>	<b>D "P"</b>

Pole Type **D**



**Field Notes for Installation:**

In dirt to right of sidewalk, just beyond lot entrance, \$2/hr.





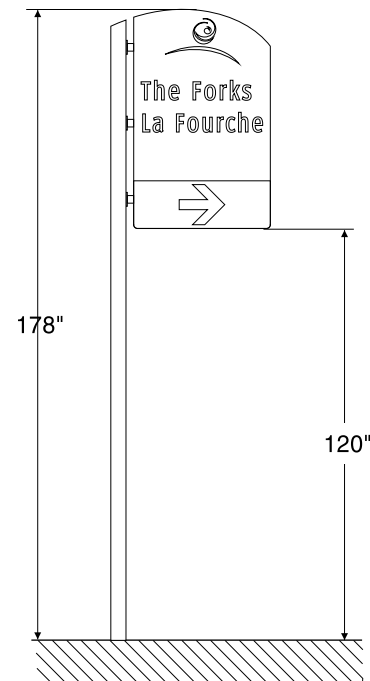
**Field Notes for Installation:**

150' back from black light pole, at turn-in before 3rd "No Parking" sign back between trees.

Pole Site Location E/S Main St south of York Av

Sign Panel	Panel Type
<b>MN3</b>	<b>D logo</b>

Pole Type **D**





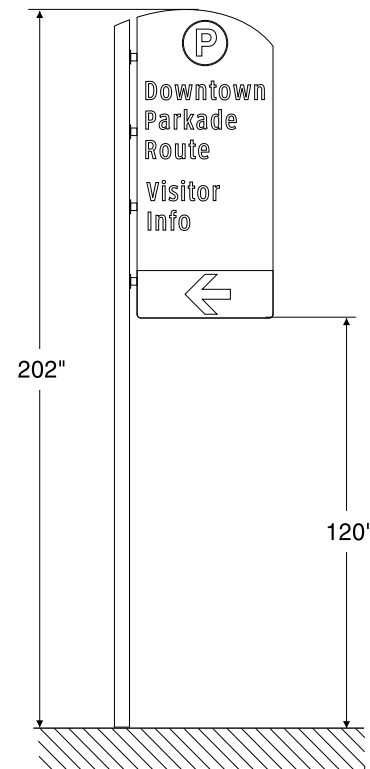
**Field Notes for Installation:**

At 1st parking meter beyond 1st drive to Earls.

Pole Site Location E/S Main St north of York Av

Sign Panel	Panel Type
<b>MN4</b>	<b>B "P"</b>

Pole Type **B**





**Field Notes for Installation:**

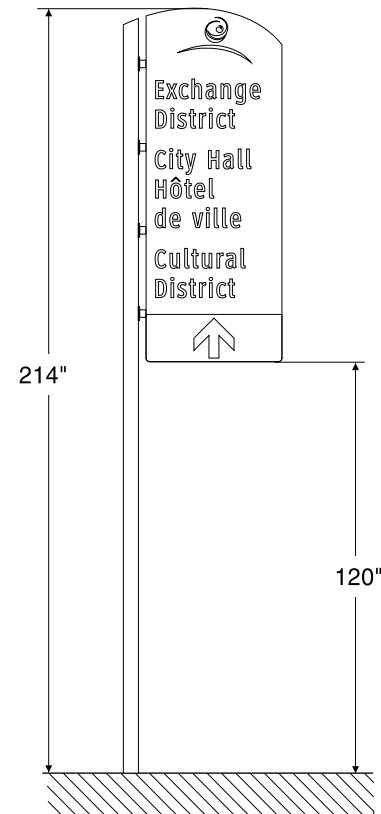
94' past sign below, at last sign before 2nd drive-in to Earls.

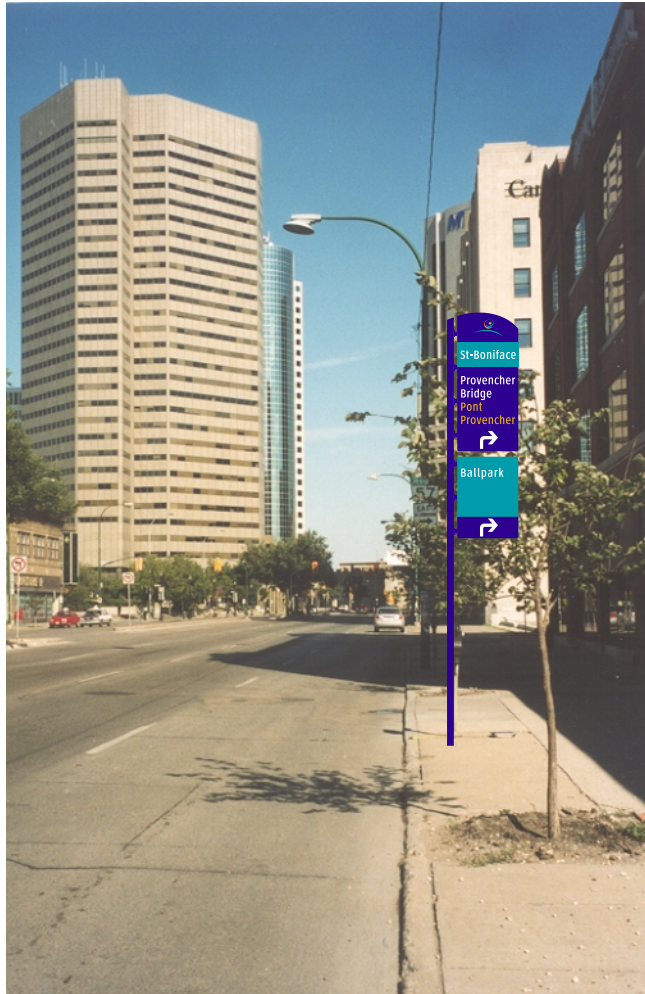
Pole Site Location E/S Main St south of St Mary Av

Sign Panel Panel Type

**MN5** **A logo**

Pole Type **A**





**Field Notes for Installation:**

At parking meter near door to 245 Main, 44' back from 57 West sign pole — watch wires above, may require bigger set-back.

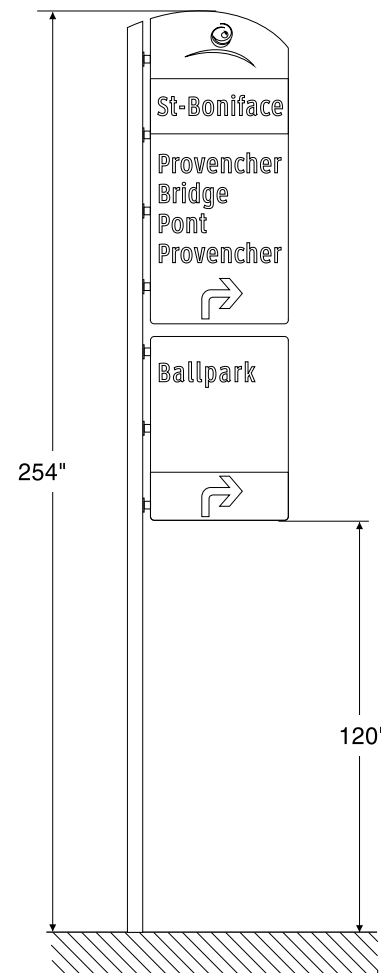
Pole Site Location E/S Main St opposite Graham Av

Sign Panel Panel Type

**MN6-U B logo**

**MN6-L D lower**

Pole Type **B+D**





**Field Notes for Installation:**

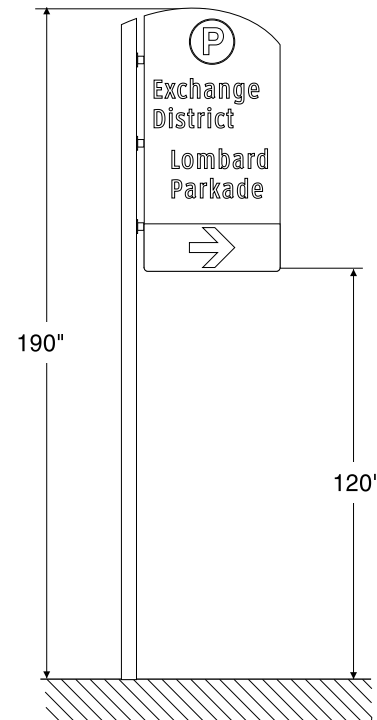
25' back from black lamp post closest to Lombard.

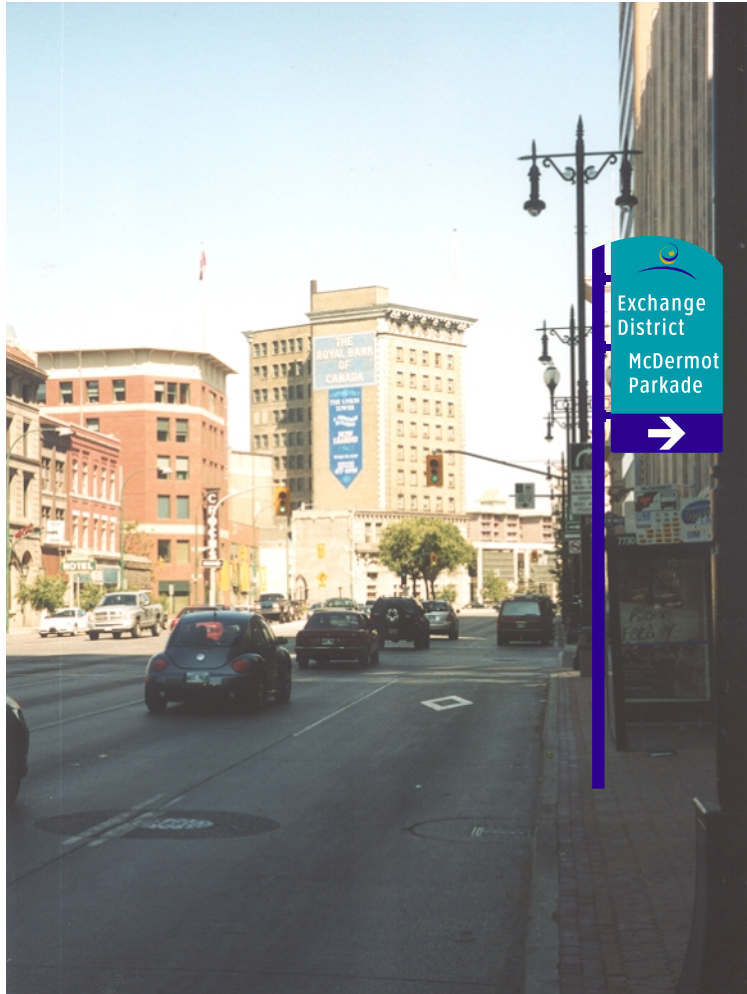
Pole Site Location E/S Main St S/S of Lombard

Sign Panel Panel Type

**MN7** **C "P"**

Pole Type **C**





**Field Notes for Installation:**

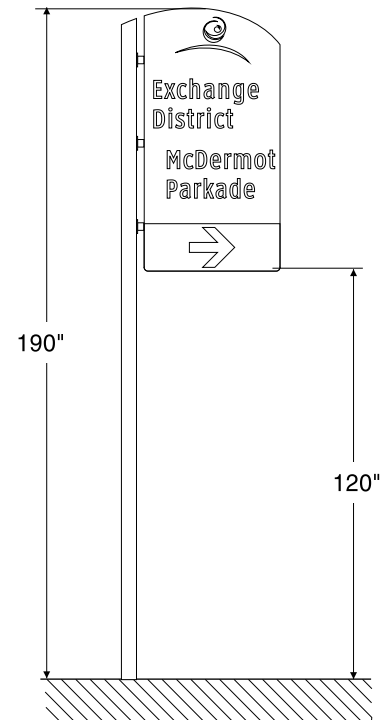
Just before bus shelter before McDermot.

Pole Site Location E/S Main St north of Lombard Av

Sign Panel Panel Type

**MN8** **C logo**

Pole Type **C**





**Field Notes for Installation:**

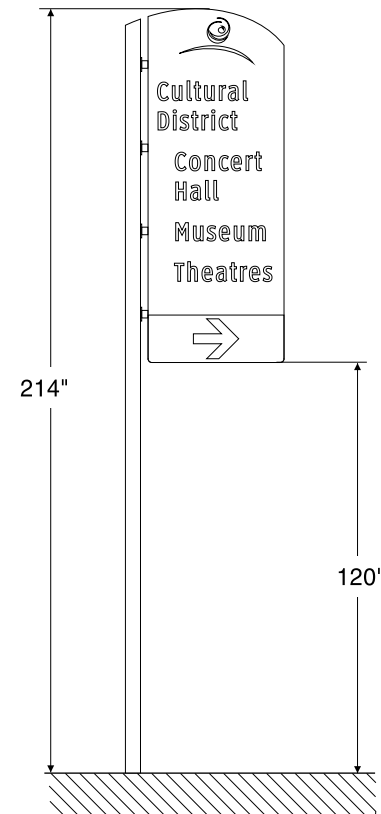
Before overhead sign pole, just around bend.

Pole Site Location E/S Main St north of William Av

Sign Panel Panel Type

**MN9** **A logo**

Pole Type **A**





**Field Notes for Installation:**

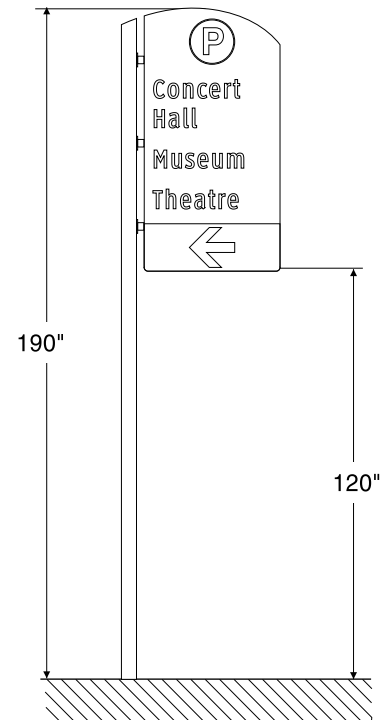
2nd parking meter back from MB Theatre Ctr.

Pole Site Location S/S Market Av east of Main St

Sign Panel Panel Type

**MN9-F1** **C "P"**

Pole Type **C**







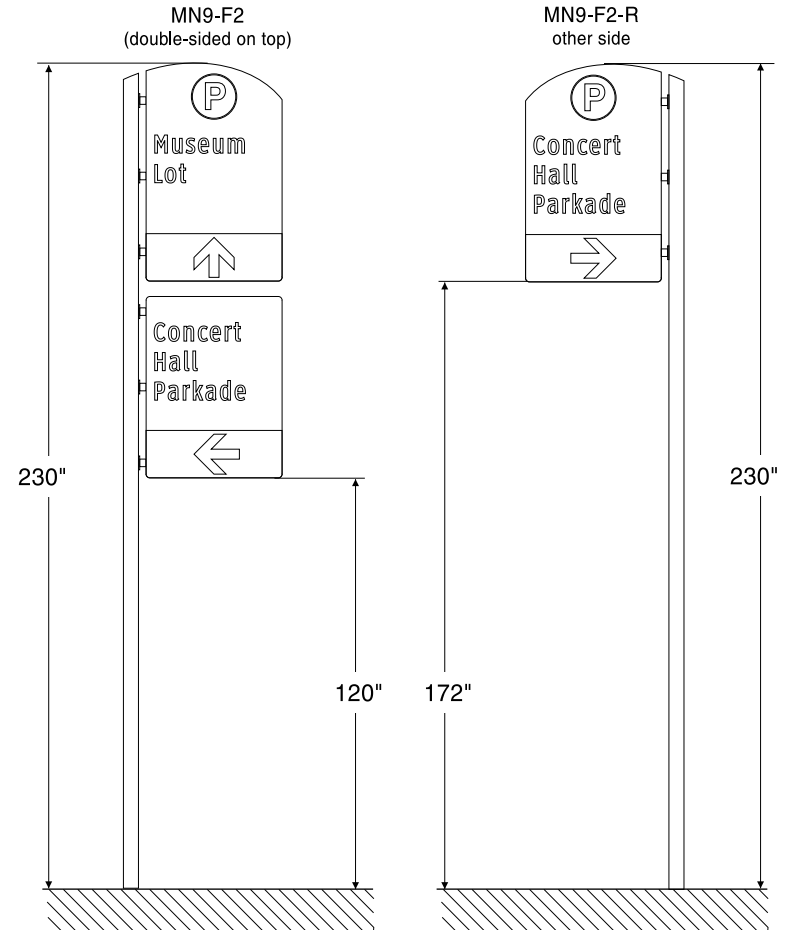
**Field Notes for Installation:**

In front of first tree beyond James. Double-sided on top.

Pole Site Location

E/S Lily St north of James Av (double sided sign)

Sign Panel	Panel Type
<b>MN9-F2-U</b>	<b>D "P"</b>
<b>MN9-F2-L</b>	<b>D lower</b>
<b>MN9-F2-R</b>	<b>D "P" Rs</b>
<b>Pole Type</b>	<b>D+D</b>



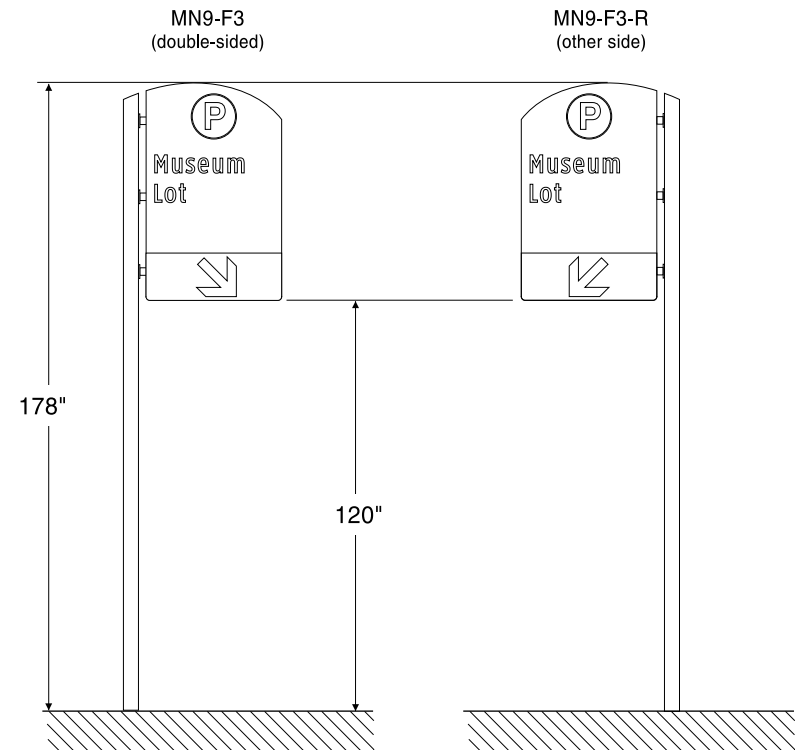


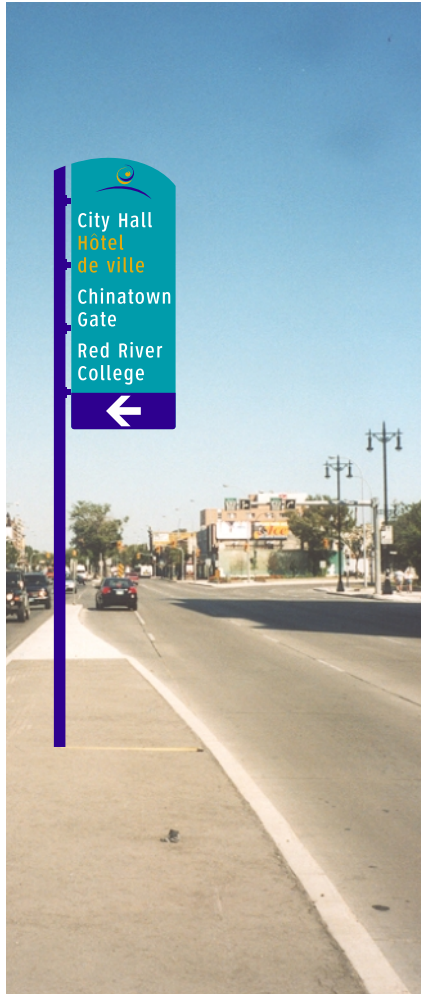
**Field Notes for Installation:**

Just beyond drive-in entrance, check with impark concerning “front section reserved” signs.

Pile Site Location N/S Rupert Av east of Main St (double sided sign)

Sign Panel	Panel Type
<b>MN9-F3</b>	<b>D “P”</b>
<b>MN9-F3-R</b>	<b>D “P” Rs</b>
Pole Type	<b>D</b>





**Field Notes for Installation:**

In median, 50' beyond signal post @ James.

Pile Site Location Median on Main St south of James Av

Sign Panel	Panel Type
<b>MN10</b>	<b>A logo</b>

Pole Type **A**

