

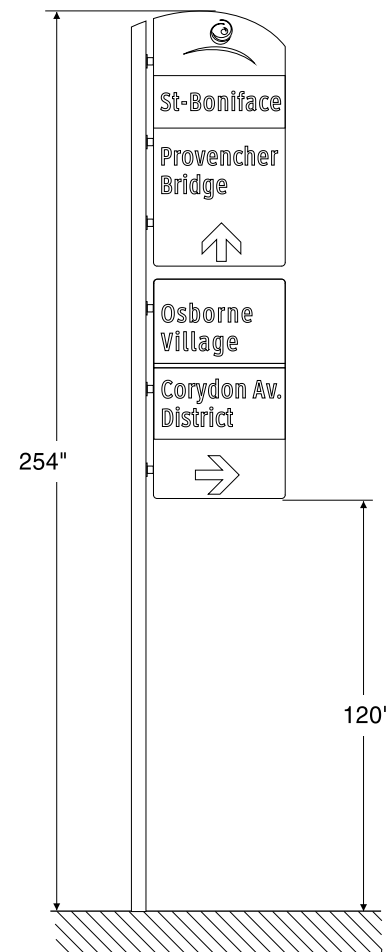


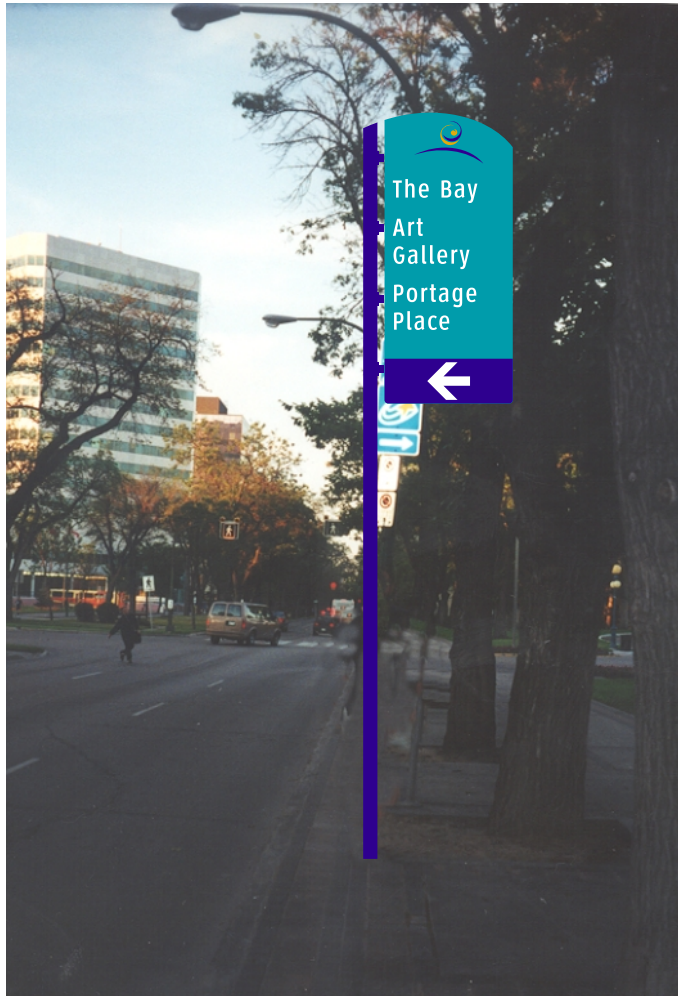
Field Notes for Installation:

6' in front of 2nd black decorated lamp post back from Osborne.

Pole Site Location S/S Broadway west of Osborne St.

Sign Panel	Panel Type
BE1-U	C logo
BE1-L	C lower
Pole Type	C+C





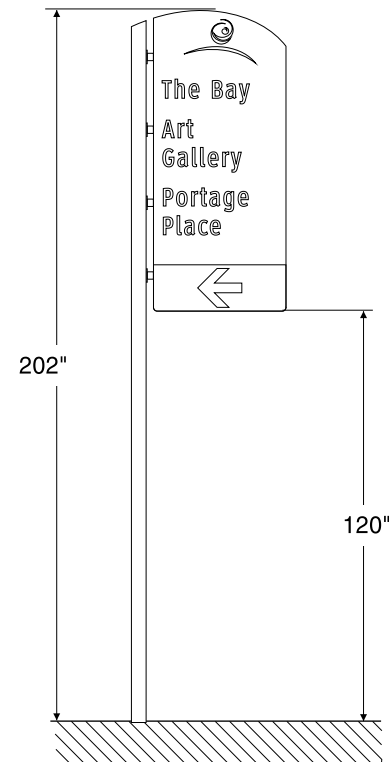
Field Notes for Installation:

50' in front of existing star sign pole.

Pole Site Location S/S Broadway east of Osborne St.
(before Star sign pole)

Sign Panel	Panel Type
BE2	B logo

Pole Type **B**





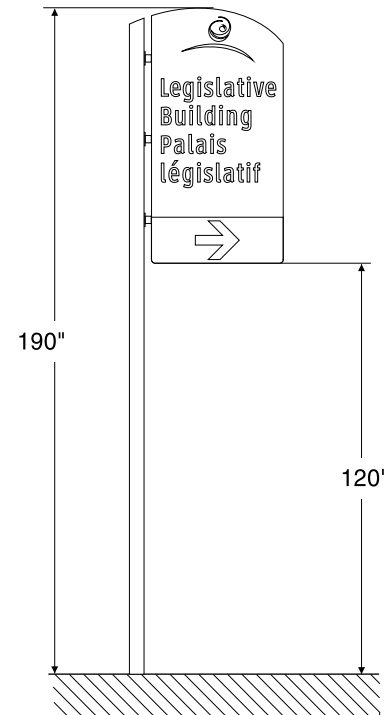
Field Notes for Installation:

25' west of pole holding last star sign (remove). Before Legislative Bldg driveway.

Pole Site Location S/S Broadway east of Osborne St.
 (before Leg. Bldg. Driveway)

Sign Panel	Panel Type
BE3	C logo

Pole Type **C**





Field Notes for Installation:

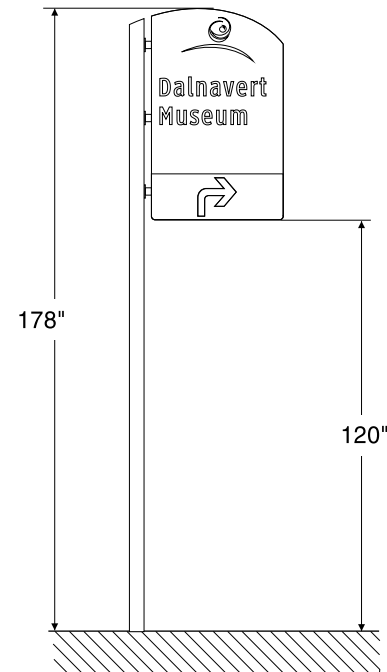
Just beyond driveway next to subway, @ 360 Broadway.

Pole Site Location S/S Broadway east of Edmonton St.

Sign Panel Panel Type

BE4 **D logo**

Pole Type **D**





Field Notes for Installation:

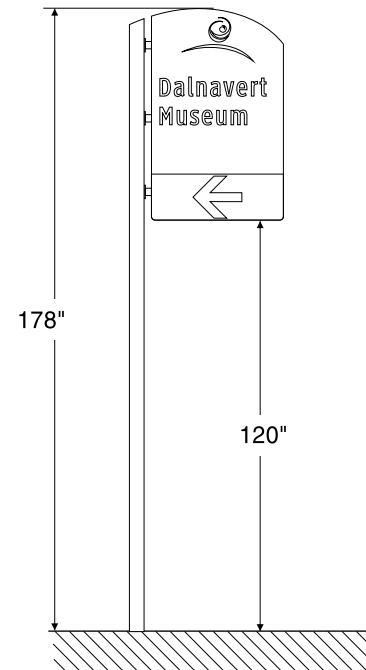
Before entrance to alley, on left side of street.

Pole Site Location E/S Carlton south of Broadway

Sign Panel Panel Type

BE4-F **D logo**

Pole Type **D**





Field Notes for Installation:

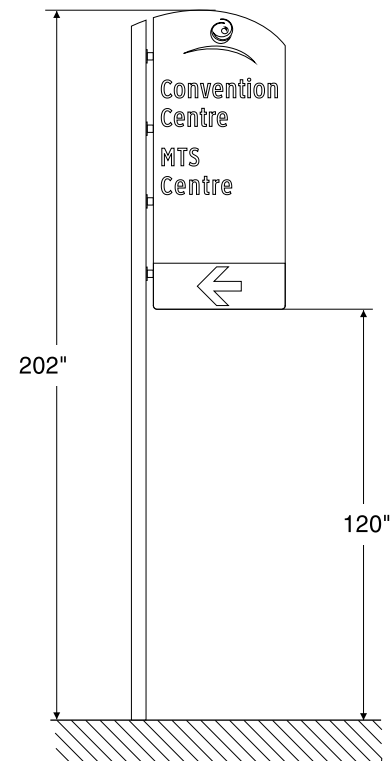
Just after Carlton at “No Parking/Stopping” sign pole at 354 Broadway.

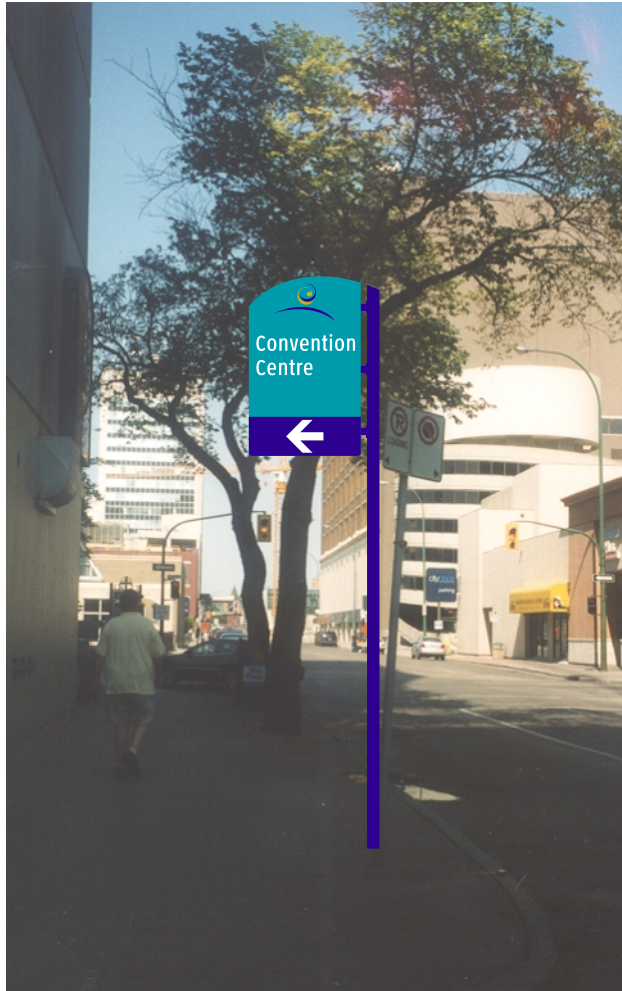
Pole Site Location S/S Broadway west of Hargrave St

Sign Panel Panel Type

BE5 **B logo**

Pole Type **B**





Field Notes for Installation:

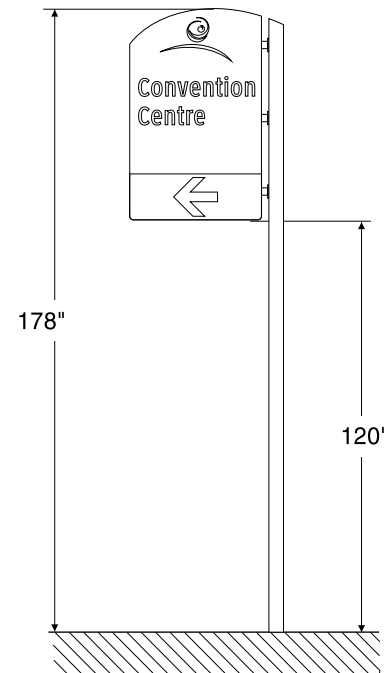
At "No Parking" sign pole before St. Mary, left side of street.

Pole Site Location W/S Hargrave St north of York Av

Sign Panel Panel Type

BE5-F **D logo R**

Pole Type **D**





Field Notes for Installation:

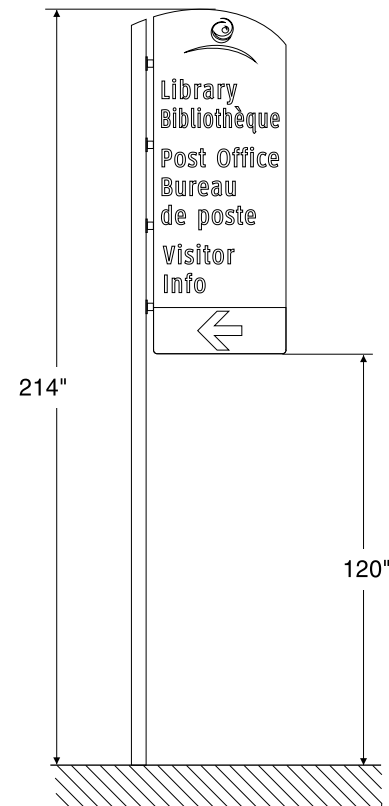
Just in front of 5th tree beyond Donald (at 280 Broadway).

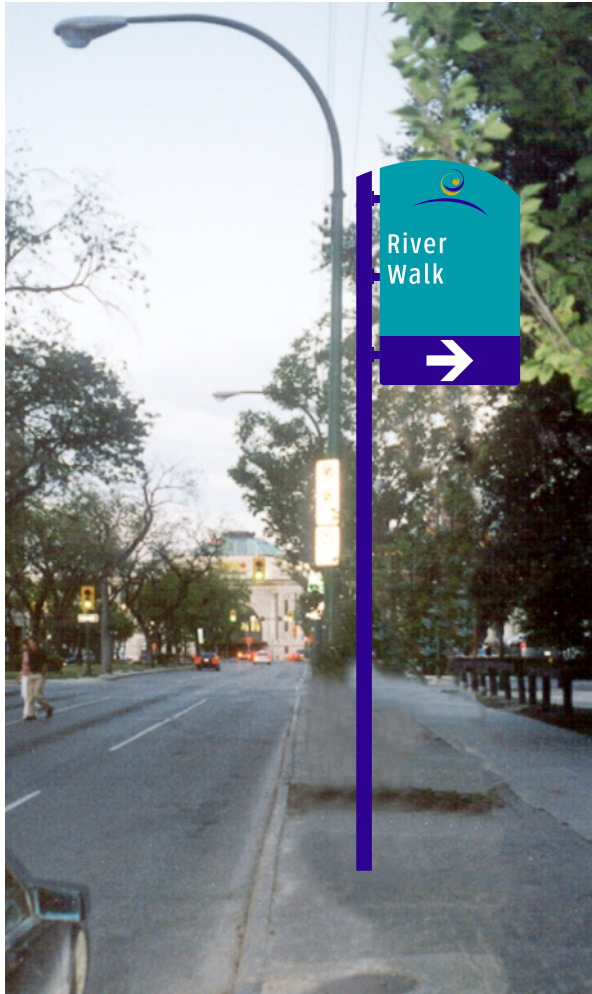
Pole Site Location S/S Boardway west of Smith St

Sign Panel Panel Type

BE7 **A logo**

Pole Type **A**





Field Notes for Installation:

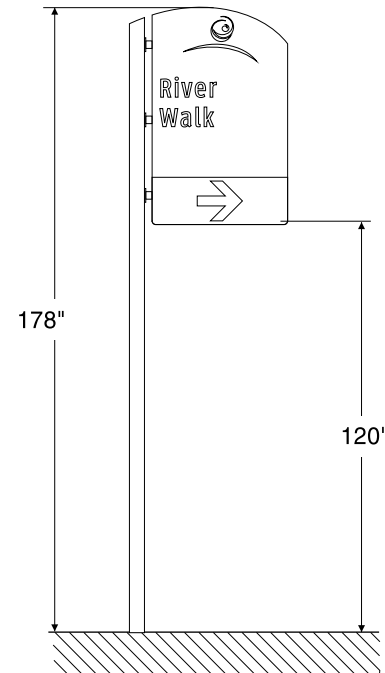
22' west of 2nd pole from Garry (at 250 Broadway).

Pole Site Location S/S Broadway west of Garry St

Sign Panel Panel Type

BE8 **D logo**

Pole Type **D**

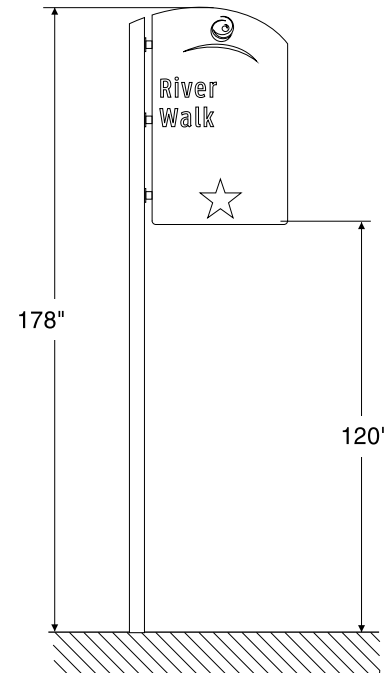


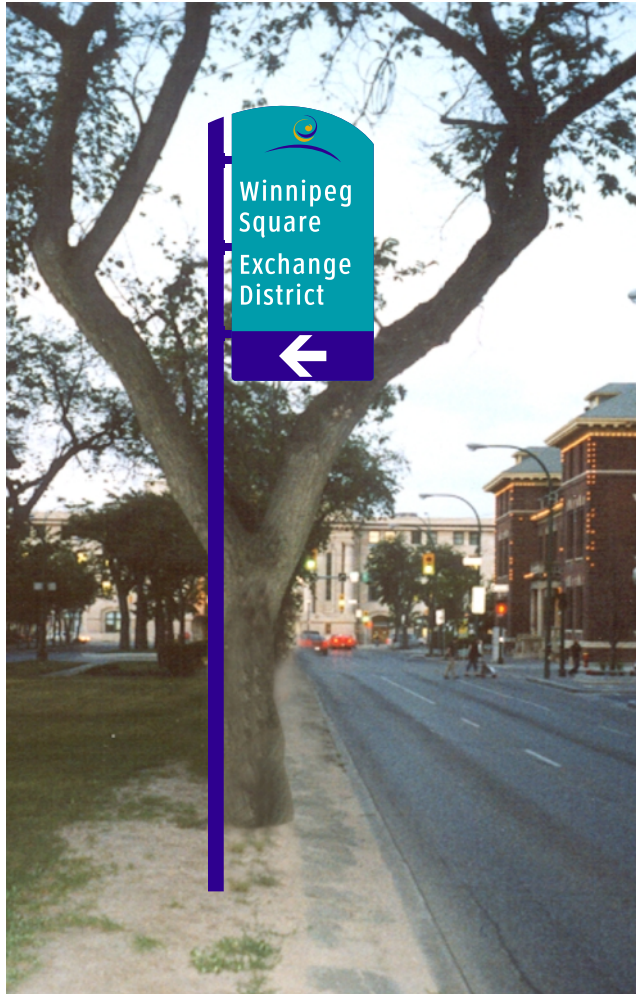


Pole Site Location	S/S Assiniboine facing traffic on	
	Garry St	
	Sign Panel	Panel Type
	BE8-F	D logo
	Pole Type	D

Field Notes for Installation:

New pole as indicated, sign facing oncoming traffic from Garry St.





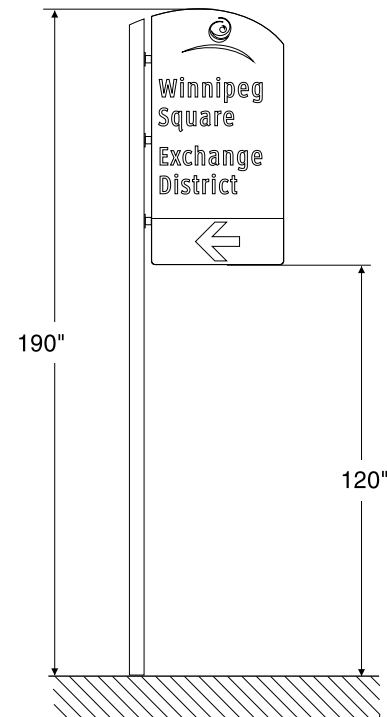
Field Notes for Installation:

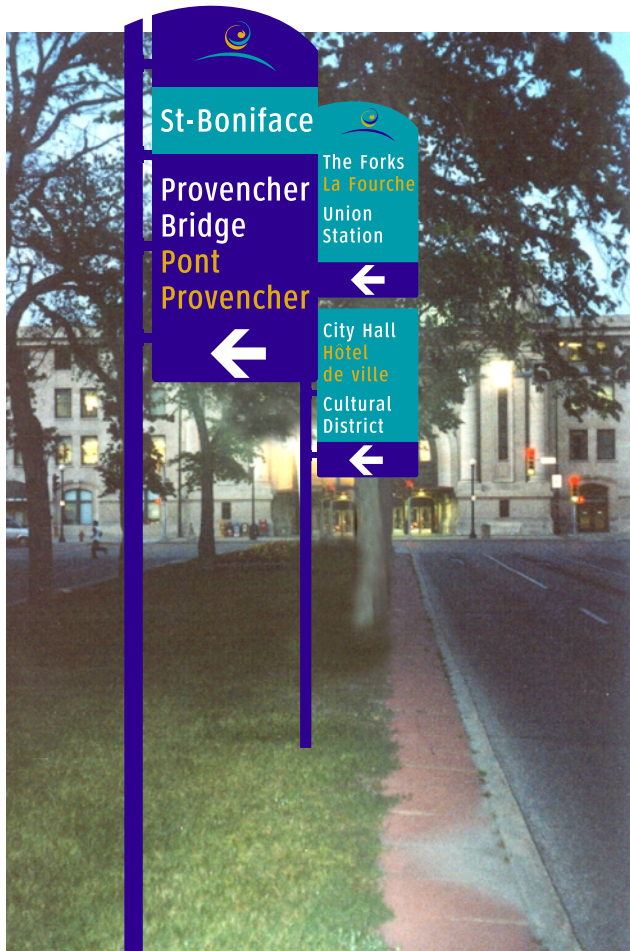
4' east of 2nd tree from Garry in median.

Pole Site Location Median on Broadway west of Fort St

Sign Panel	Panel Type
BE9	C logo

Pole Type **C**





Field Notes for Installation:

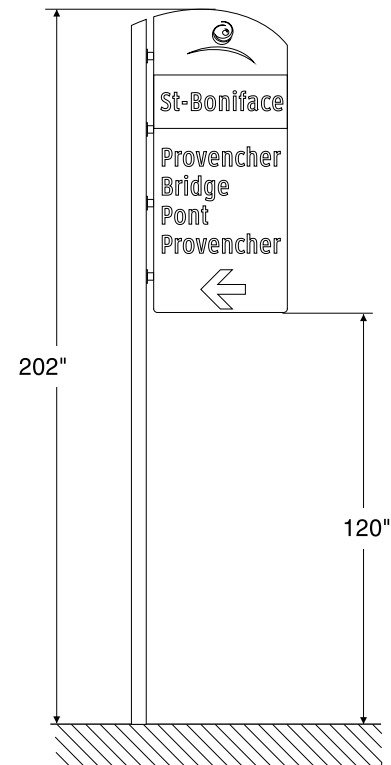
14' in front of 2nd tree from Fort in median.

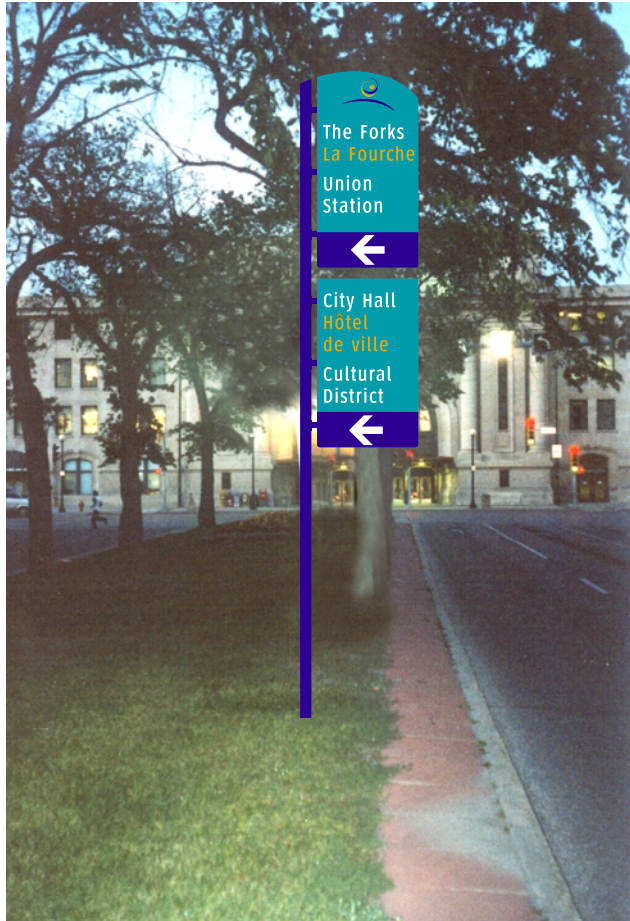
Pile Site Location Median on Broadway east of Fort St.

Sign Panel	Panel Type
------------	------------

BE10	B logo
-------------	---------------

Pole Type	B
-----------	----------

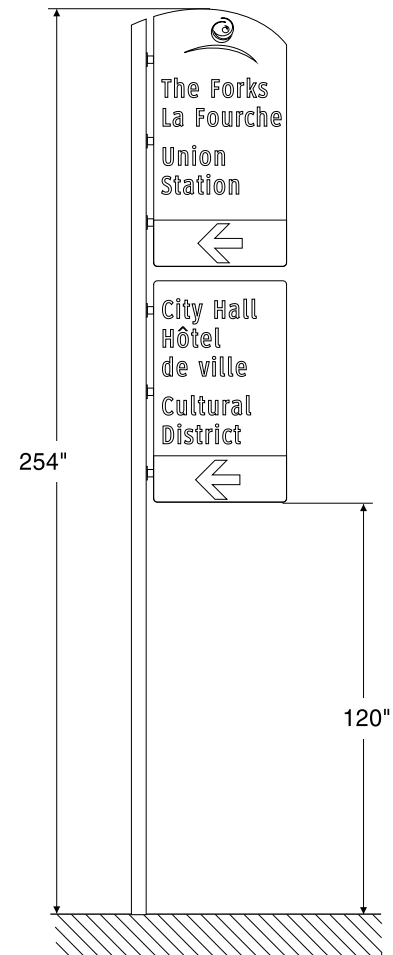




Field Notes for Installation:
At Forks sign pole in median.

Pole Site Location Median on Broadway west of Main St

Sign Panel	Panel Type
BE11-U	C logo
BE11-L	C lower
Pole Type	C+C



Pole Site Location N/S Broadway west of Fort St

Sign Panel Panel Type

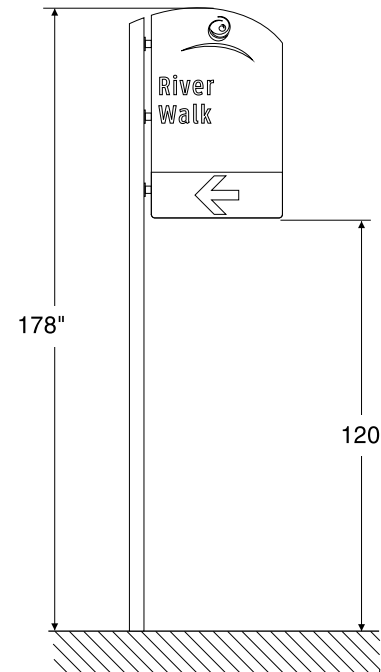
BW1 **D logo**

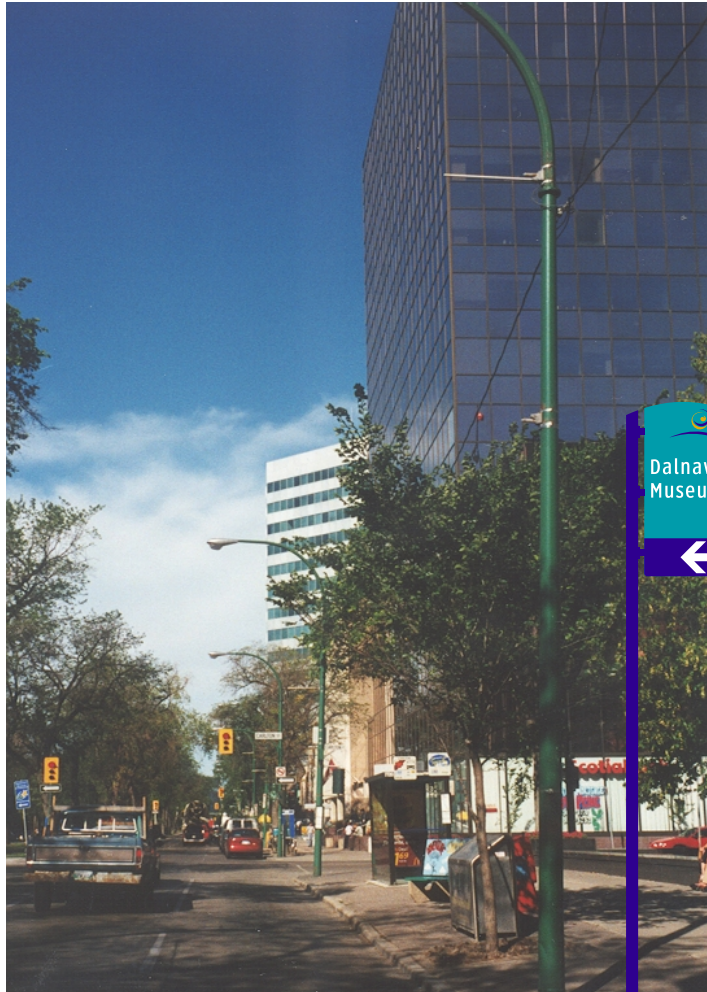
Pole Type **D**



Field Notes for Installation:

120' back from Garry, in front of 4th tree back.





Field Notes for Installation:

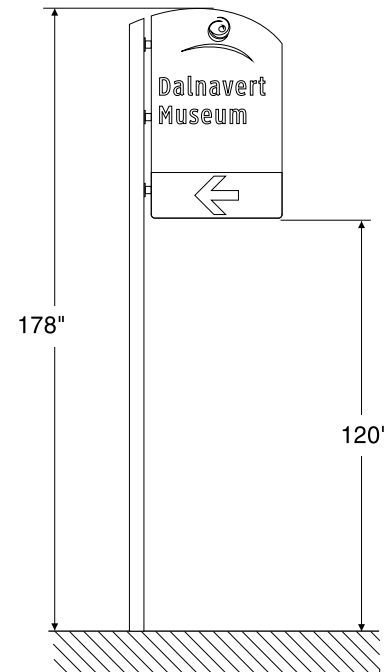
In front of 2nd light pole back from Carlton.

Pole Site Location N/S Broadway west of Hargrave St

Sign Panel Panel Type

BW3 **D logo**

Pole Type **D**





Field Notes for Installation:

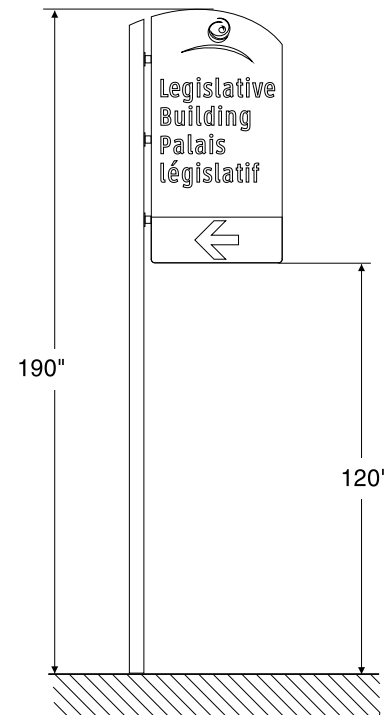
In front of 2nd tree west of Kennedy.

Pole Site Location N/S Broadway west of Kennedy St

Sign Panel Panel Type

BW4 **C logo**

Pole Type **C**





Field Notes for Installation:

Just in front of 4th green light pole back from Osborne (not counting overhead pole).

Pole Site Location N/S Broadway west of Memorial Blv

Sign Panel Panel Type

BW5 **B logo**

Pole Type **B**

