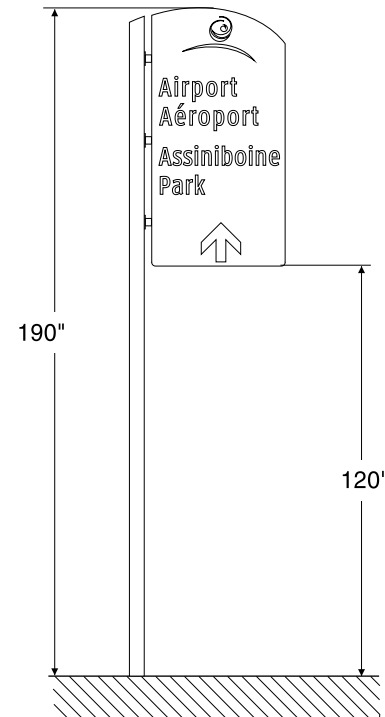


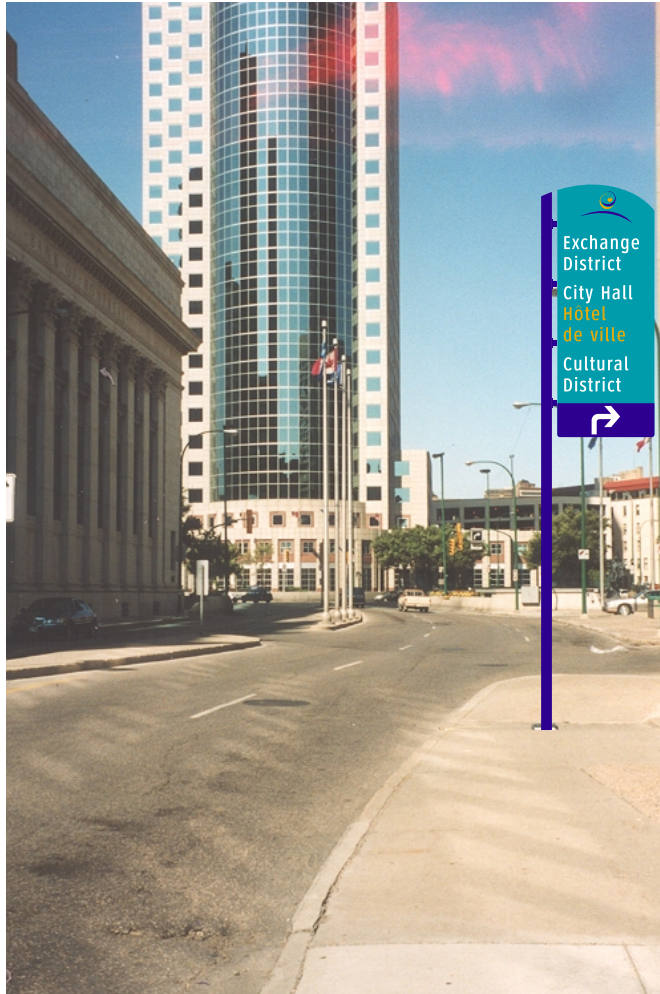


**Field Notes for Installation:**

At “No Parking” sign before parking lot driveway.

Pole Site Location	N/S Portage Av E. west of Westbrook St	
Sign Panel	Panel Type	
<b>PW1</b>	<b>C logo</b>	
Pole Type	<b>C</b>	





**Field Notes for Installation:**

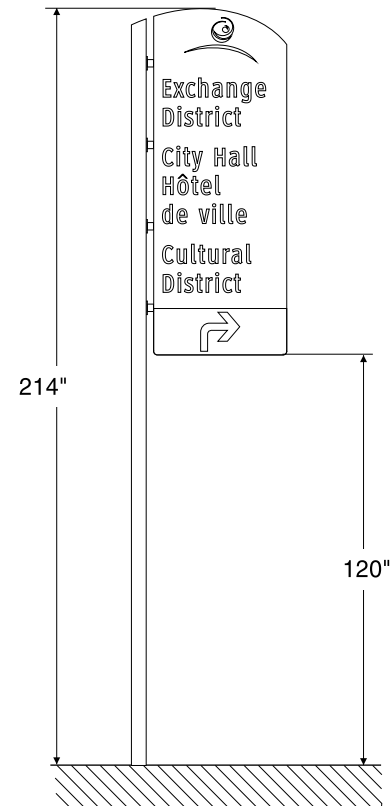
After PW1 at corner of former Bank of Canada.

Pole Site Location N/S Portage Av E. east of Main St

Sign Panel Panel Type

**PW2** **A logo**

Pole Type **A**





**Field Notes for Installation:**

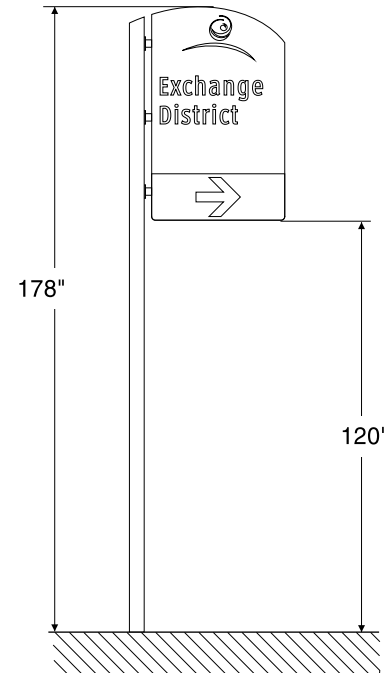
44' back from Notre Dame corner.

Pole Site Location N/S Portage Av west of Main St

Sign Panel Panel Type

**PW3** **D logo**

Pole Type **D**





**Field Notes for Installation:**

35' back from corner, just after entrance, remove existing "P" sign.

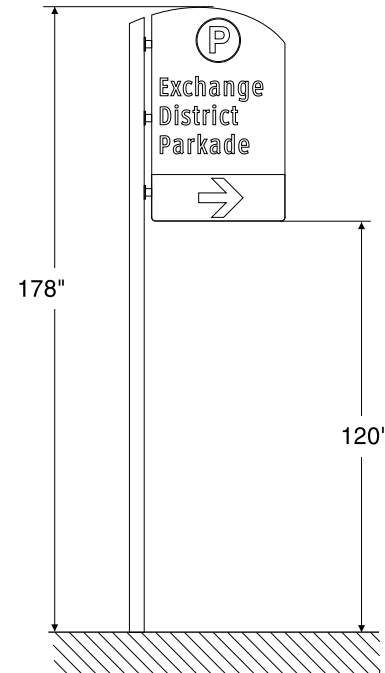
Pole Site Location N/S Notre Dame Av west of

Portage Av

Sign Panel	Panel Type
------------	------------

<b>PW3-F1</b>	<b>D "P"</b>
---------------	--------------

Pole Type	<b>D</b>
-----------	----------





Pole Site Location E/S Albert St north of Notre Dame Av

Sign Panel	Panel Type
------------	------------

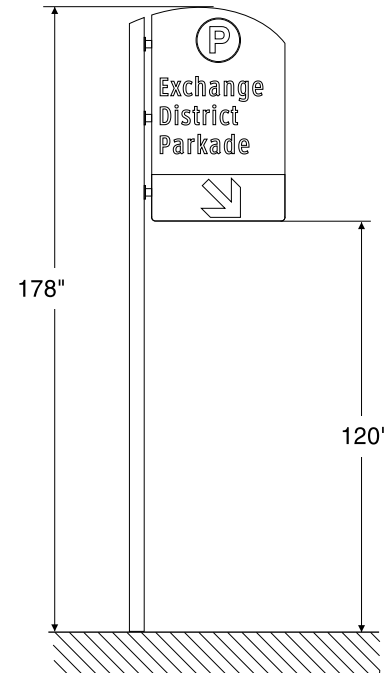
<b>PW3-F2</b>	<b>D "P"</b>
---------------	--------------

Pole Type	<b>D</b>
-----------	----------



**Field Notes for Installation:**

6' beyond driveway entrance.





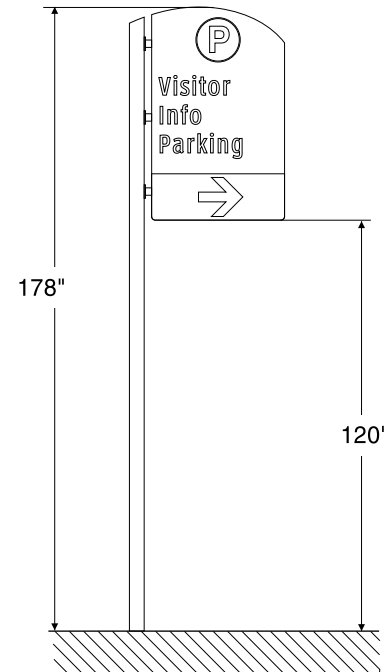
Pole Site Location N/S Portage Av west of Garry St

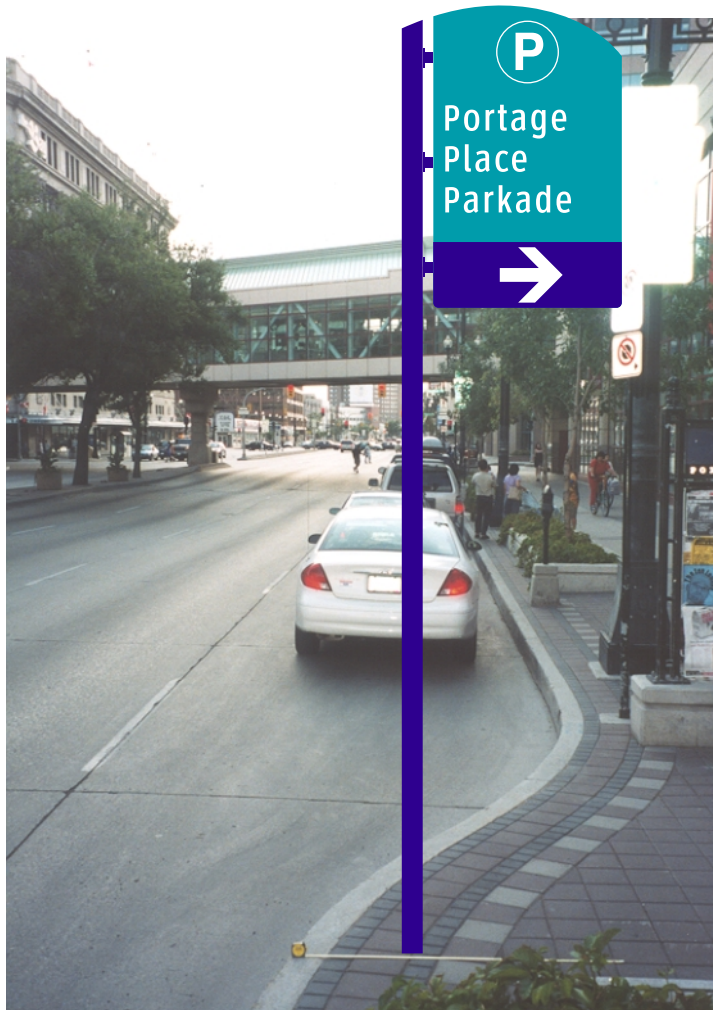
Sign Panel	Panel Type
<b>PW4</b>	<b>D "P"</b>

Pole Type **D**

**Field Notes for Installation:**

In line with 3rd light pole back (the one with "Rt. 42" sign on it), 2' from curb.





**Field Notes for Installation:**

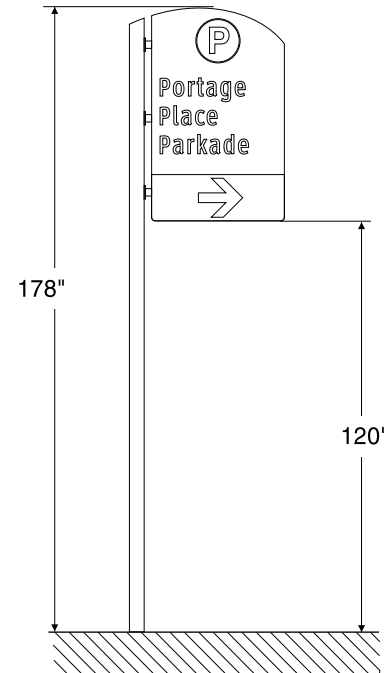
Just beyond planter, after light on outcropping.

Pole Site Location N/S Portage Av east of Vaughan St

Sign Panel Panel Type

**PW5** **D "P"**

Pole Type **D**





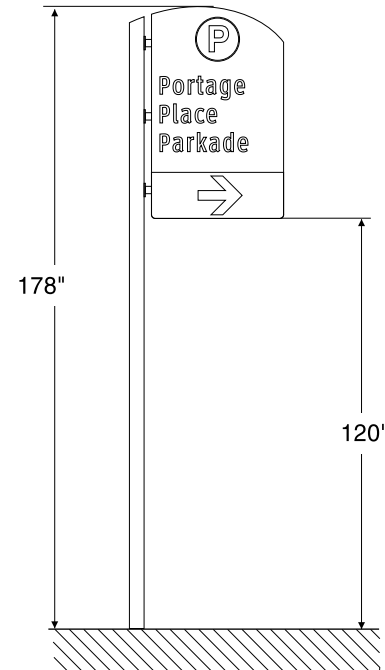
**Field Notes for Installation:**

In island, 2' in from curb — remove existing illuminated “P” sign.

Pole Site Location E/S Vaughan St north of  
The Promenade

Sign Panel	Panel Type
<b>PW5-F1</b>	<b>D “P”</b>

Pole Type **D**







**Field Notes for Installation:**

To left of garage entrance in line with light pole immediately to right of bollard.

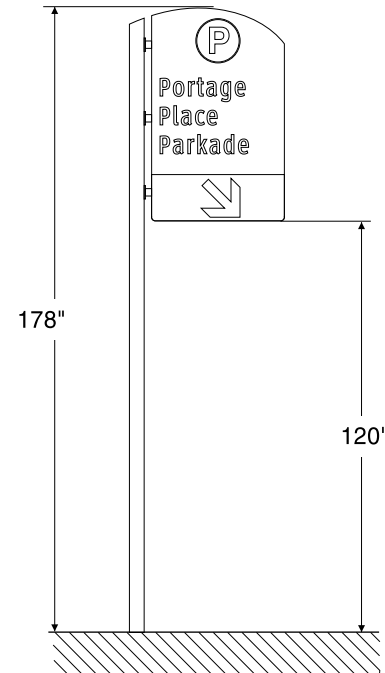
Note to Portage Place: add "No pedestrians" sign?

Pole Site Location S/S The Promenade east of Vaughan St

Sign Panel	Panel Type
------------	------------

<b>PW5-F2</b>	<b>D "P"</b>
---------------	--------------

Pole Type	<b>D</b>
-----------	----------





**Field Notes for Installation:**

In front of parking meter, in front of light at Rice Fin. Ctr. sign.

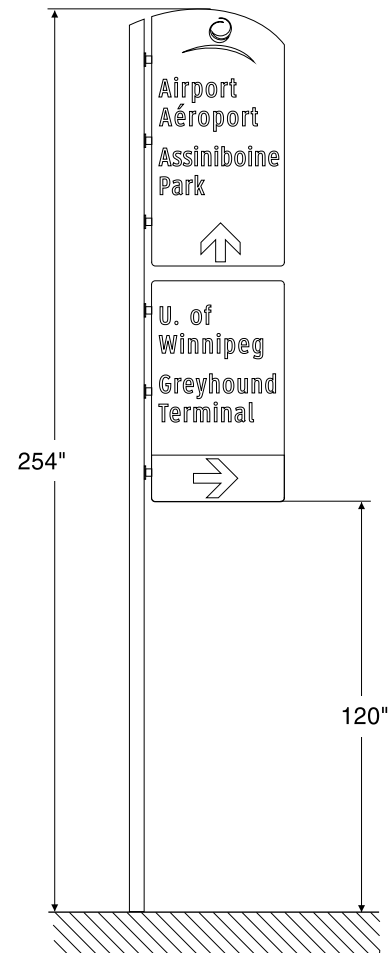
Pile Site Location N/S Portage Av west of Colony St

Sign Panel	Panel Type
------------	------------

<b>PW6-U</b>	<b>C logo</b>
--------------	---------------

<b>PW6-L</b>	<b>C lower</b>
--------------	----------------

Pole Type	<b>C+C</b>
-----------	------------





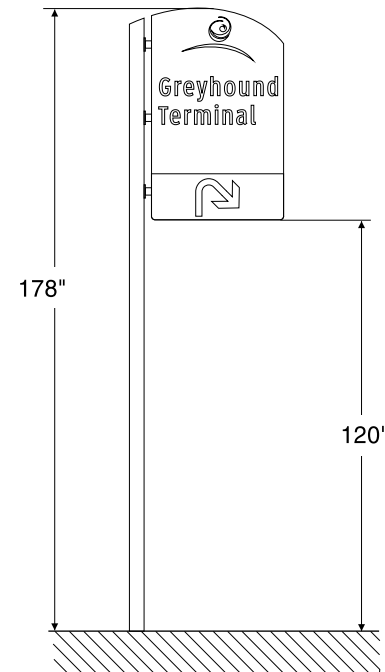
**Field Notes for Installation:**

Place just behind transit signs pole, this sign at least 1' above top transit sign.  
 No follow-up needed on Colony at terminal — big neon sign already there.

Pole Site Location E/S Balmoral St south of Ellice Av

Sign Panel	Panel Type
<b>PW6-F</b>	<b>D logo</b>

Pole Type	<b>D</b>
-----------	----------



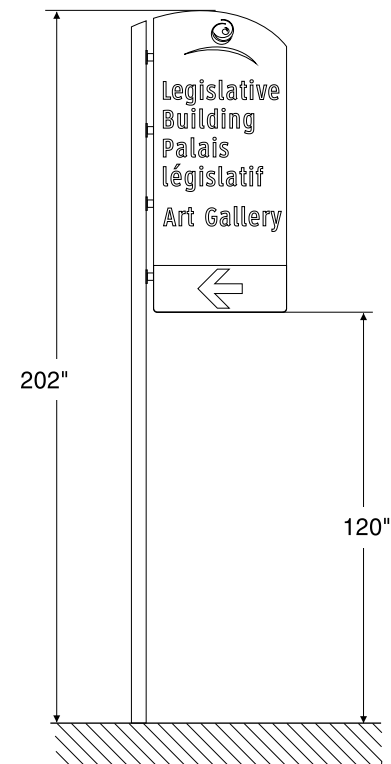


Pole Site Location N/S Portage Av east of Colony St

Sign Panel Panel Type

**PW7** **B logo**

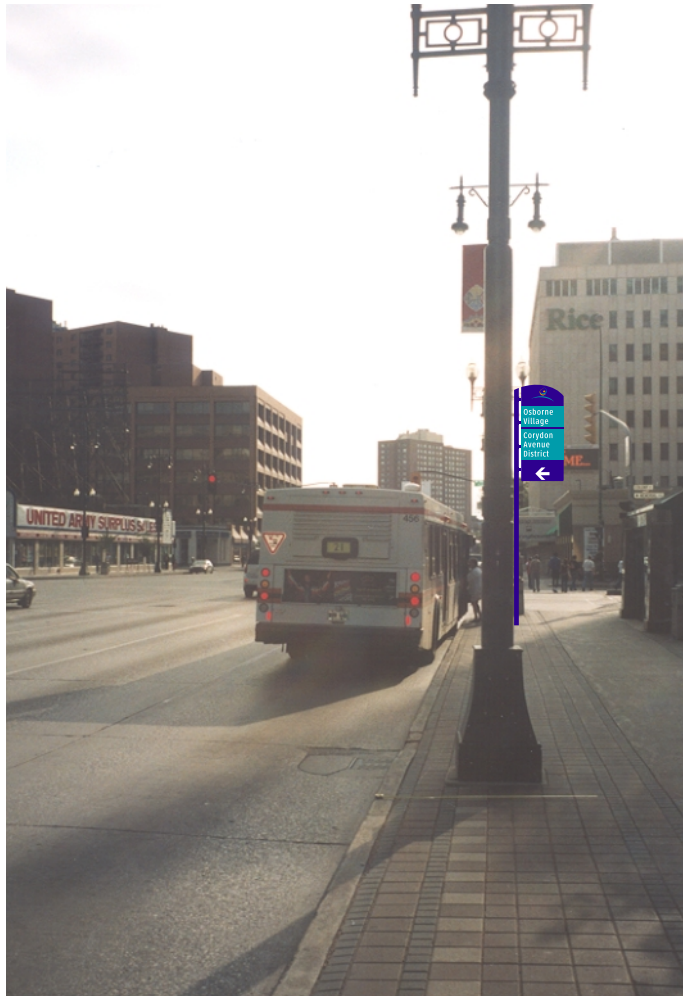
Pole Type **B**



**Field Notes for Installation:**

In front of pole with star attraction signs (remove) — 2nd light pole after Vaughan.





**Field Notes for Installation:**

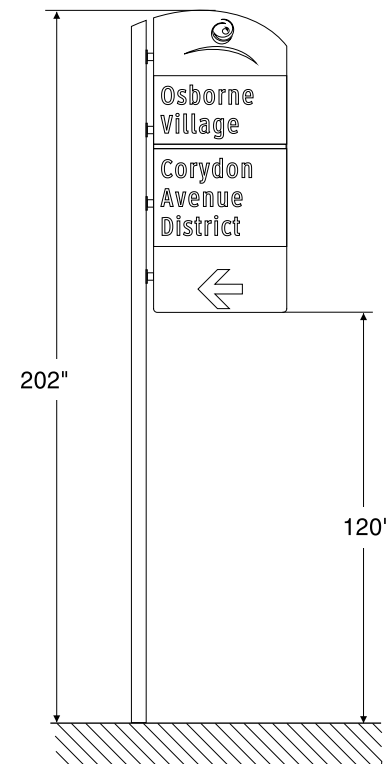
In front of 3rd light pole after Vaughan.

Pole Site Location N/S Portage Av west of Vaughan St

Sign Panel Panel Type

**PW8** **B logo**

Pole Type **B**



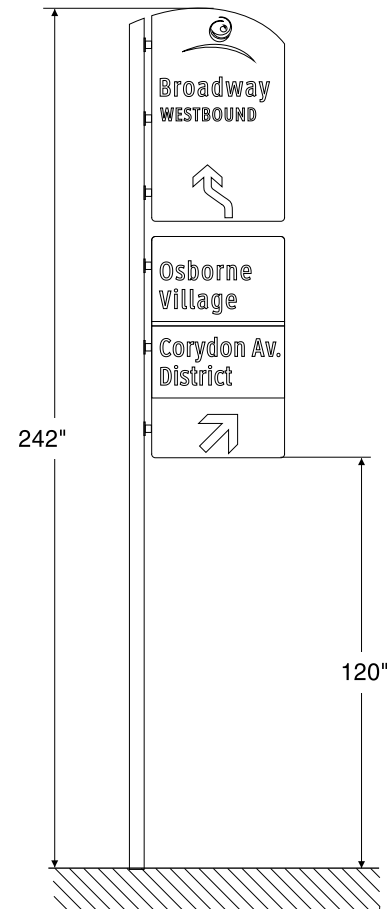


**Field Notes for Installation:**

At light pole just beyond pedestrian crossing to Bay.

Pile Site Location W/S Memorial Blv south of Portage Av

Sign Panel	Panel Type
<b>PW8-F-U</b>	<b>D logo</b>
<b>PW8-F-L</b>	<b>C lower</b>
Pole Type	<b>D+C</b>





**Field Notes for Installation:**

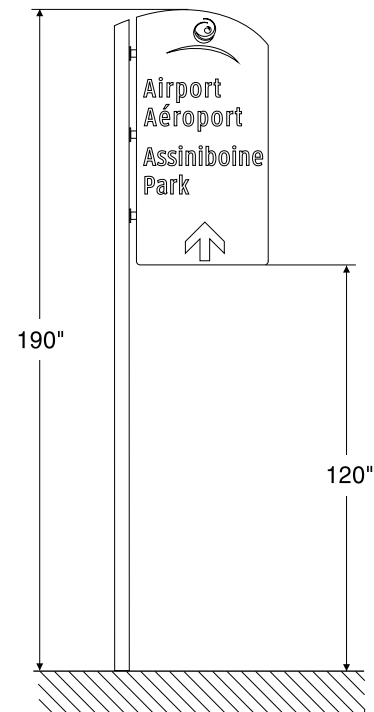
150' back from corner, before big tree.

Pole Site Location N/S Portage Av east of Maryland St

Sign Panel Panel Type

**PW9** **C logo**

Pole Type **C**



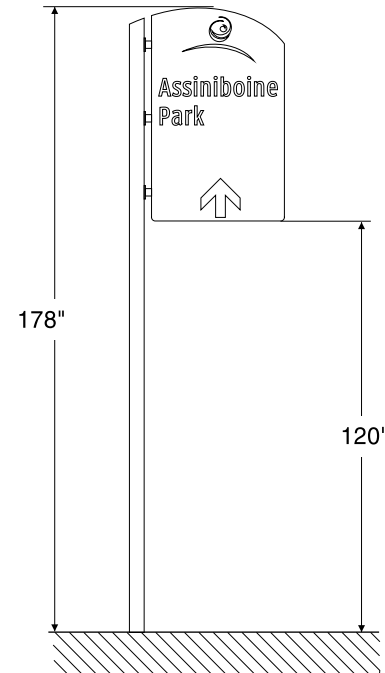
Pile Site Location N/S Portage Av east of St. James



Sign Panel	Panel Type
------------	------------

<b>PW10</b>	<b>D logo</b>
-------------	---------------

Pole Type	<b>D</b>
-----------	----------



**Field Notes for Installation:**

Place in grass before entrance to Polo Park.





**Field Notes for Installation:**

Place new "Parking" sign assembly.

Pole Site Location N/S Portage Av west of Erin St

Sign Panel Panel Type

**PW11** **D logo**

Pole Type **D**

