

Pole Site Location N/S Broadway west of Fort St

Sign Panel Panel Type

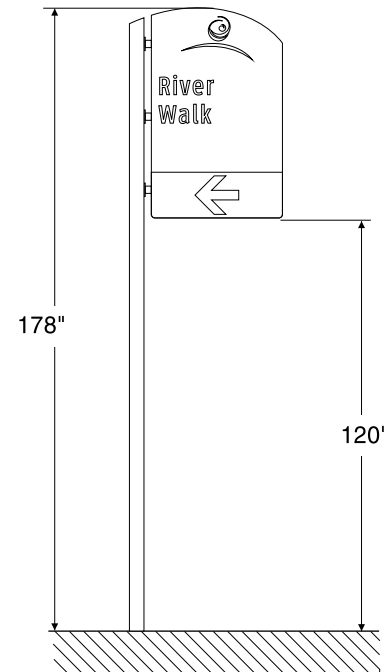
BW1 **D logo**

Pole Type **D**



Field Notes for Installation:

120' back from Garry, in front of 4th tree back.





Field Notes for Installation:

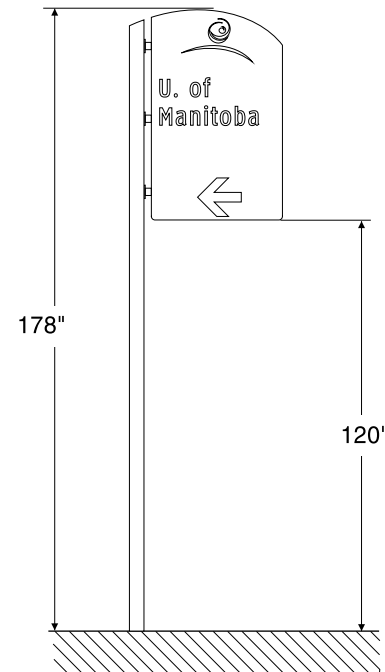
8' in front of 3rd tree back from Donald.

Pole Site Location N/S Broadway west of Smith St

Sign Panel Panel Type

BW2 **D logo**

Pole Type **D**





Field Notes for Installation:

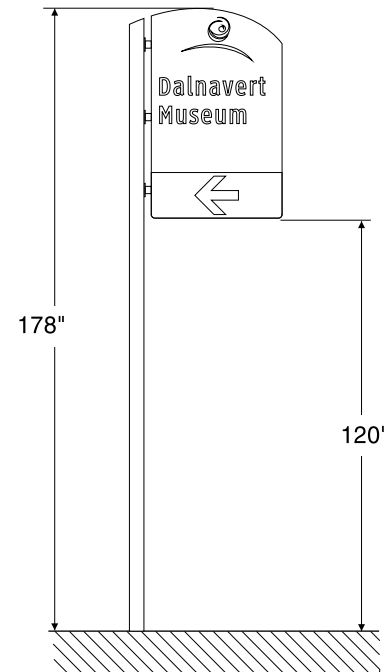
In front of 2nd light pole back from Carlton.

Pole Site Location N/S Broadway west of Hargrave St

Sign Panel Panel Type

BW3 **D logo**

Pole Type **D**





Field Notes for Installation:

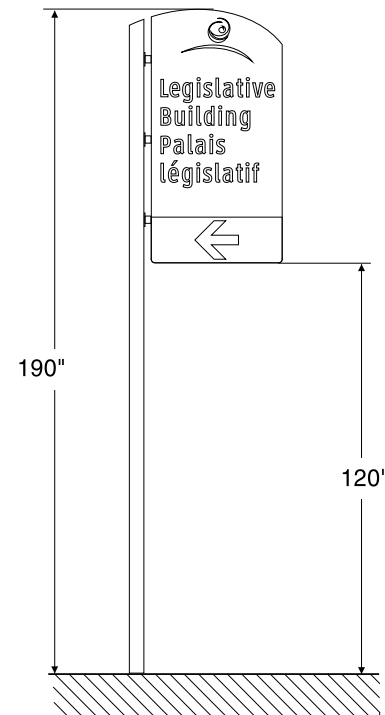
In front of 2nd tree west of Kennedy.

Pole Site Location N/S Broadway west of Kennedy St

Sign Panel Panel Type

BW4 **C logo**

Pole Type **C**



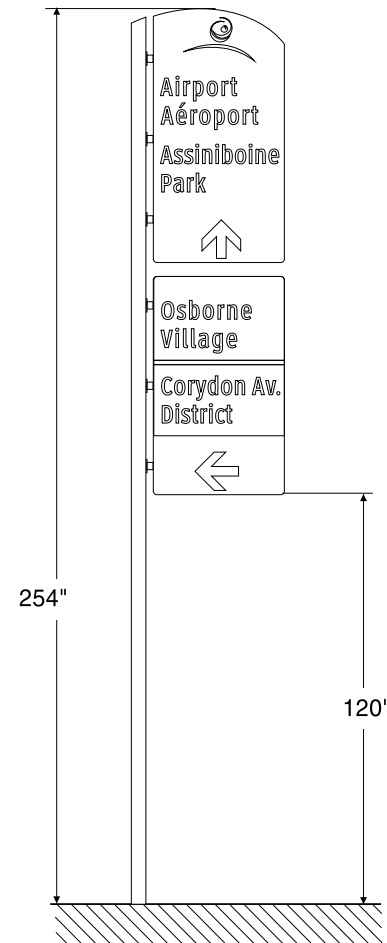


Field Notes for Installation:

Just in front of 4th green light pole back from Osborne (not counting overhead pole).

Pole Site Location N/S Broadway west of Memorial Blv

Sign Panel	Panel Type
BW5-U	C logo
BW5-L	C lower
Pole Type	C+C





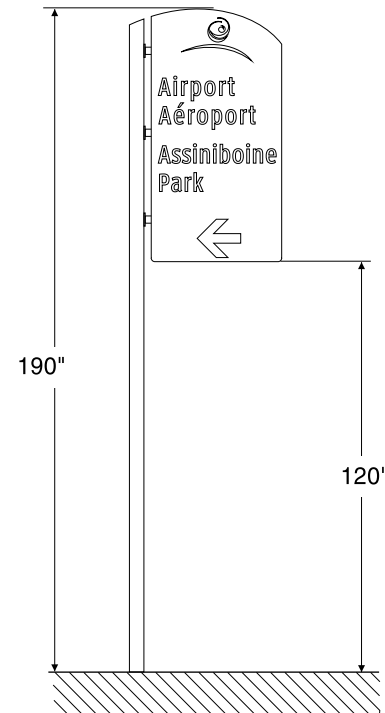
Field Notes for Installation:

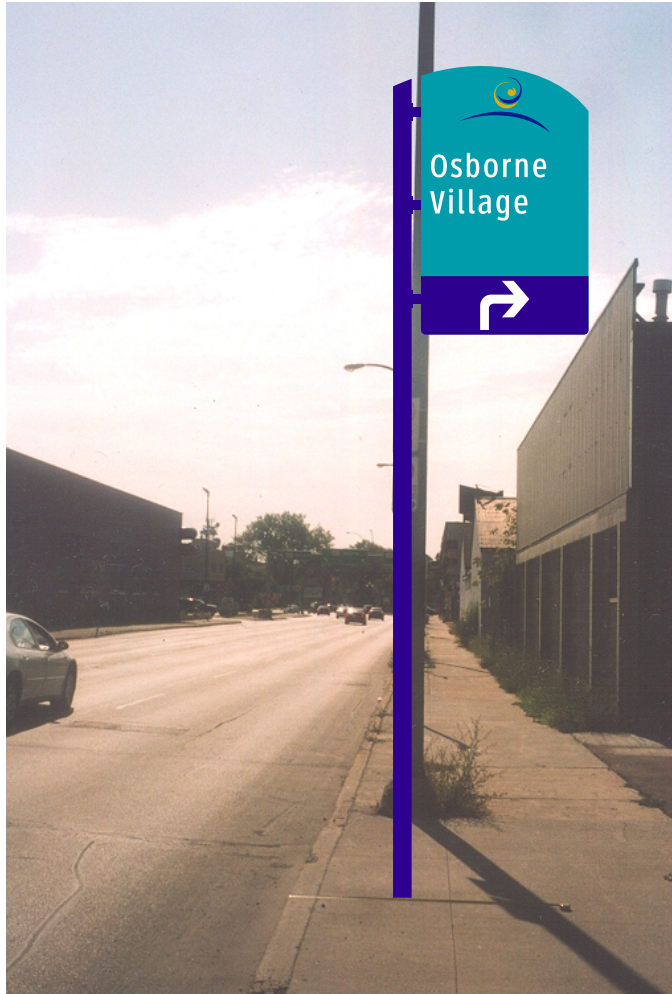
15' back from green pole as in picture.

Pole Site Location N/S Broadway south of Portage Av

Sign Panel	Panel Type
BW6	C logo

Pole Type **C**





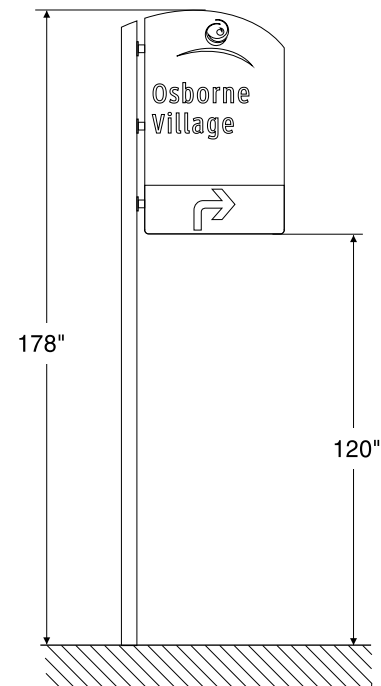
Field Notes for Installation:
Right side just past lot.

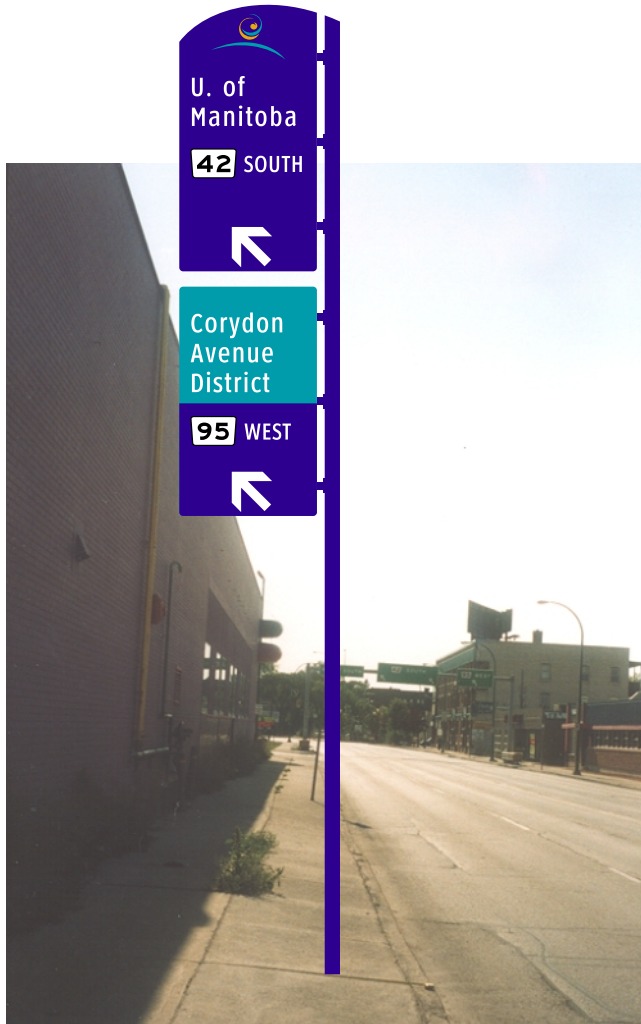
Pole Site Location N/S McMillan Av west of Scott St

Sign Panel	Panel Type
------------	------------

CC1	D logo
------------	---------------

Pole Type	D
-----------	----------





Field Notes for Installation:

Left side just before purple building.

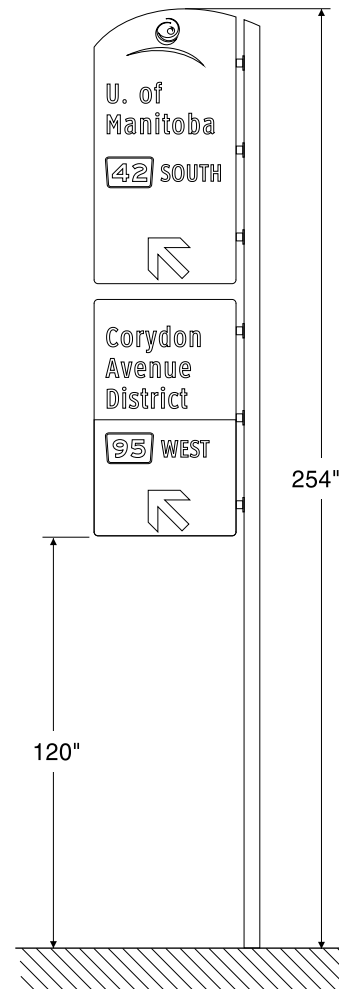
Pole Site Location S/S McMillan Av west of Scott St

Sign Panel	Panel Type
------------	------------

CC2-U	C logo R
--------------	-----------------

CC2-L	C lower R
--------------	------------------

Pole Type	C+C
-----------	------------





Field Notes for Installation:

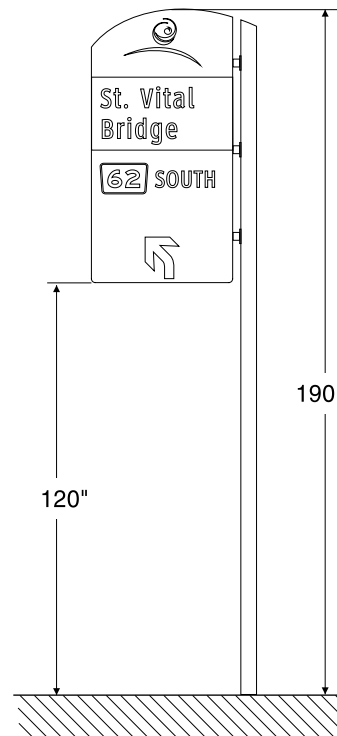
Left side midway along purple building.

Pole Site Location S/S McMillan Av east of Osborne St

Sign Panel Panel Type

CC3 **C logo R**

Pole Type **C**



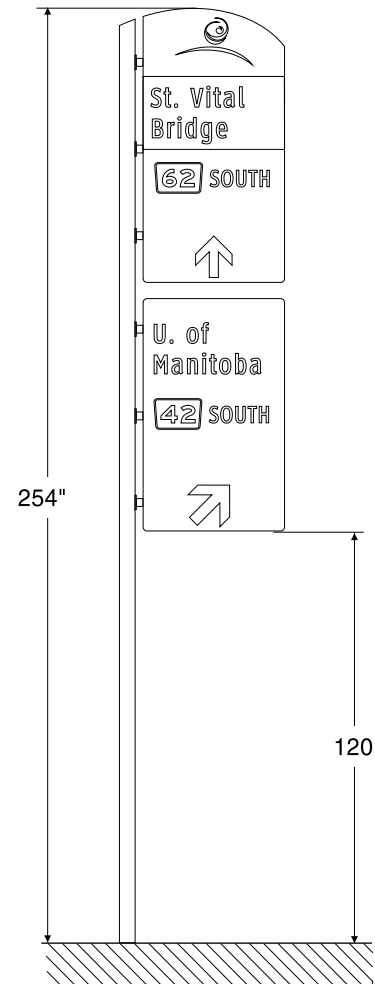


Field Notes for Installation:

Brick alley between Thai & Urban.

Pile Site Location E/S Osborne St south of Stradbrook Av

Sign Panel	Panel Type
CC4-U	C logo
CC4-L	C lower
Pole Type	C+C





Field Notes for Installation:

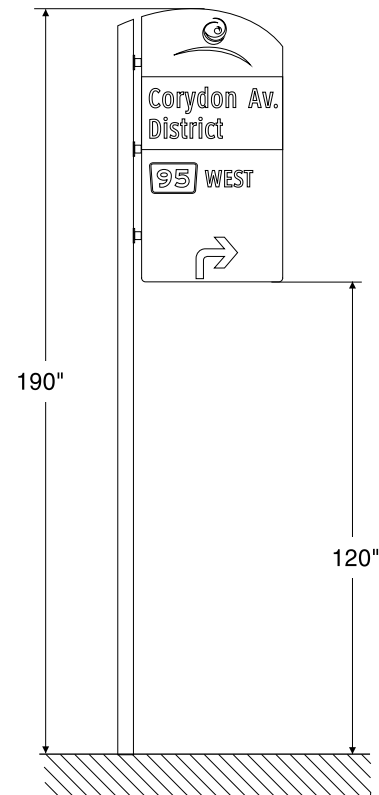
In front of 3rd light pole back from corner.

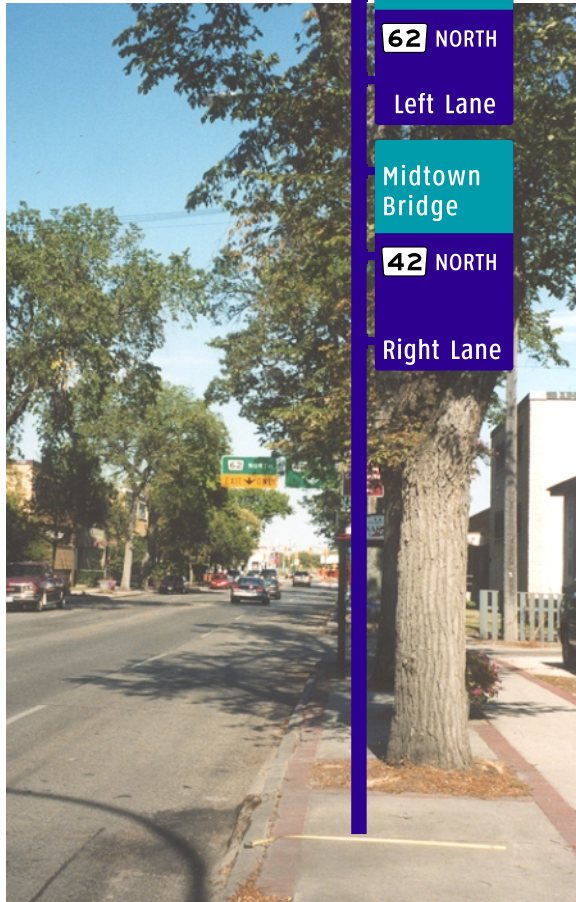
Pole Site Location E/S Osborne St south of Gertrude Av

Sign Panel Panel Type

CC5 **C logo**

Pole Type **C**

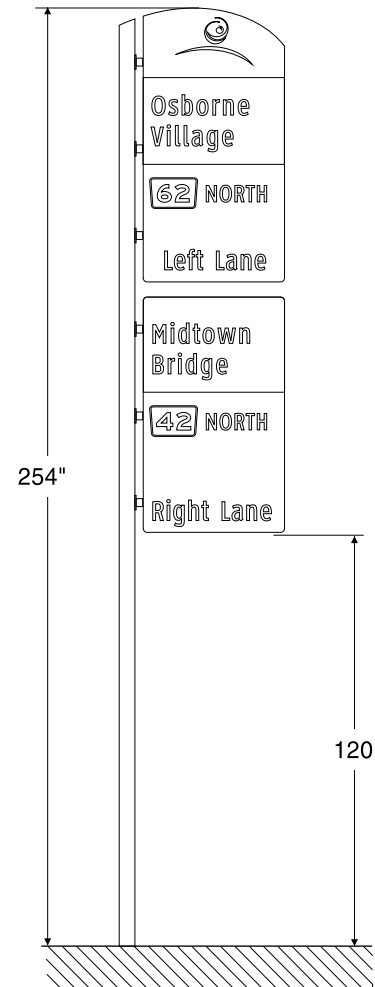


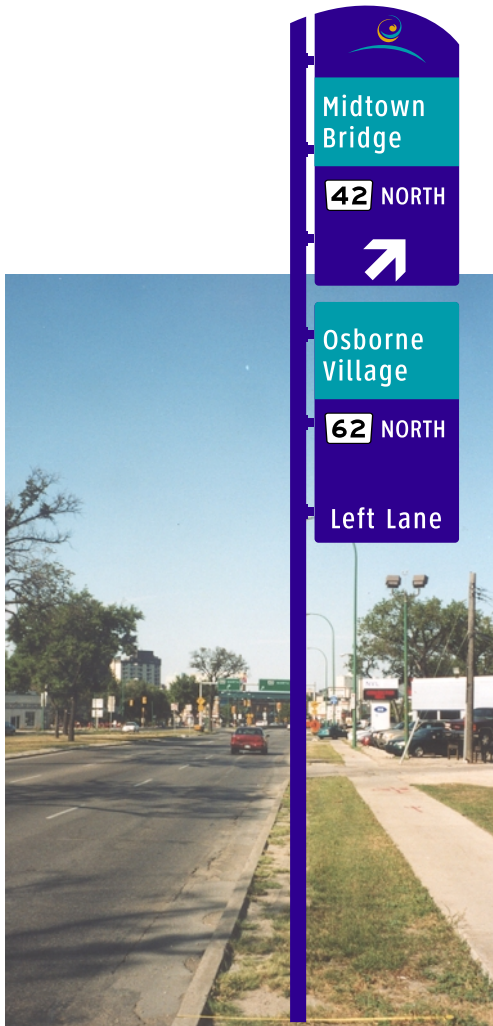


Field Notes for Installation:
540 Corydon by Walter apts.

Pole Site Location S/S Corydon Av west of Nassau St

Sign Panel	Panel Type
CC6-U	C logo
CC6-L	C lower
Pole Type	C+C



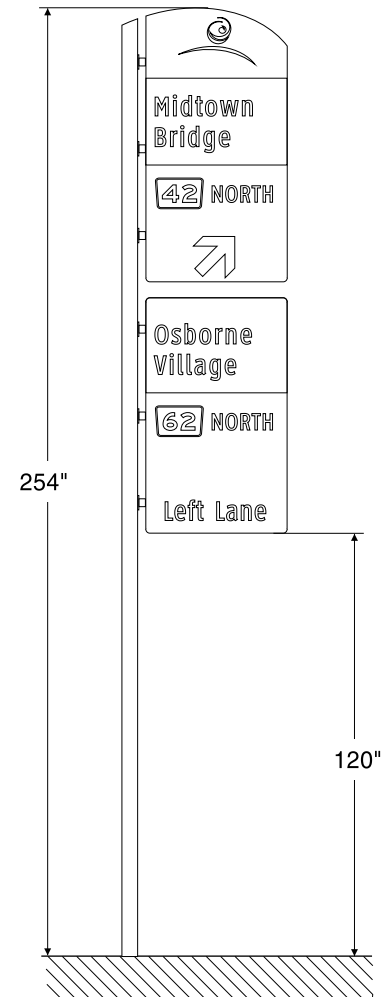


Field Notes for Installation:

At light pole just beyond Warsaw.

Pile Site Location E/S Pembina Hwy north of Warsaw Av

Sign Panel	Panel Type
CC8-U	C logo
CC8-L	C lower
Pole Type	C+C





Field Notes for Installation:

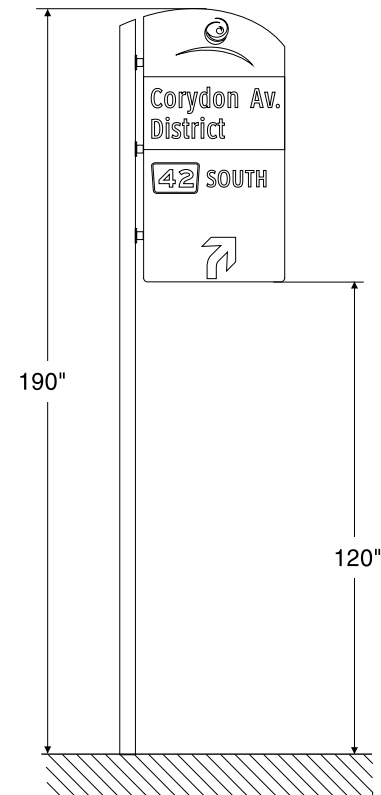
Place before green light pole with 2 “No Stop” & 1 “Parking” sign just before drive to 360 S. Osborne Place apartments.

Pole Site Location E/S Osborne south of Mulvey Av (just south of 360 Osborne St)

Sign Panel Panel Type

CC9 **C logo**

Pole Type **C**



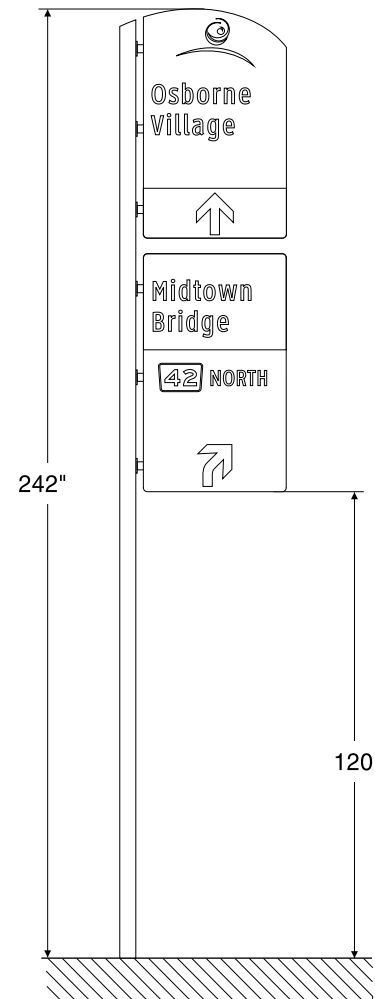


Field Notes for Installation:

Place before light pole after last driveway before big green map-sign.

Pole Site Location E/S Osborne St south of Mulvey Av
(near large green directional sign)

Sign Panel	Panel Type
CC10-U	D logo
CC10-L	C lower
Pole Type	D+C





Field Notes for Installation:

Place between trees, but in line with light pole that is 2nd back before ramp. Confirm use of arrow.

Pole Site Location N/S Corydon Av east of Osborne St

Sign Panel Panel Type

CC11 **D logo**

Pole Type **D**

