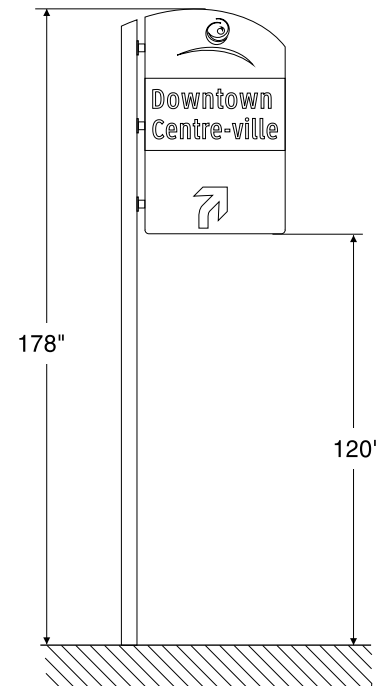




Pole Site Location S/S Wellington Av west of Flight Rd

Sign Panel	Panel Type
<b>A0</b>	<b>D logo</b>

Pole Type **D**



**Field Notes for Installation:**

On Airport Exit Road, 50' beyond light pole before "Y" of Terminal return.

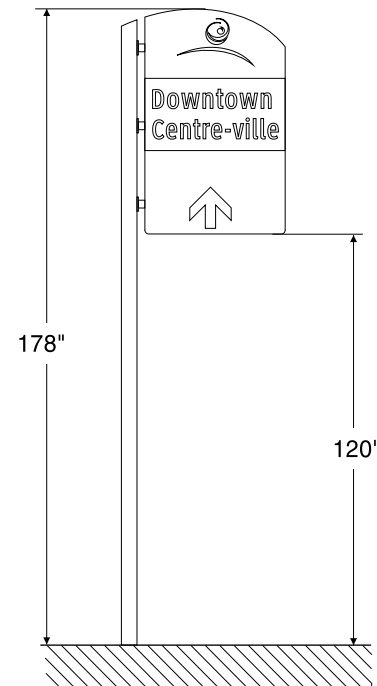


**Field Notes for Installation:**  
In front of Best Western.

Pole Site Location S/S Wellington Av west of King Edward St, (near Best Western Hotel)

Sign Panel	Panel Type
<b>A1</b>	<b>D logo</b>

Pole Type **D**



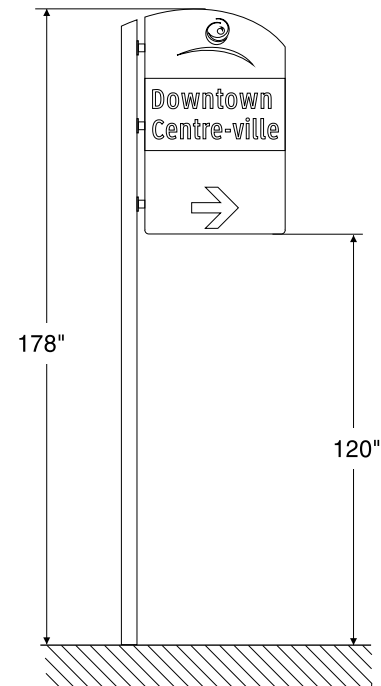


**Field Notes for Installation:**  
Past Radisson before King Edward.

Pole Site Location S/S Wellington Av west of King Edward St (just east of Radisson Hotel)

Sign Panel	Panel Type
<b>A2</b>	<b>D logo</b>

Pole Type	<b>D</b>
-----------	----------



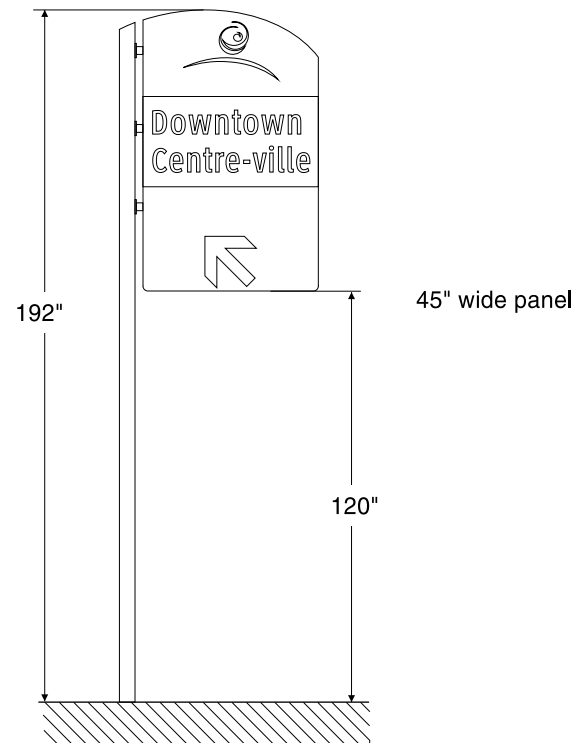


**Field Notes for Installation:**  
Just past Ellice.

Pole Site Location W/S King Edward St south of Ellice Av

Sign Panel	Panel Type
<b>A3</b>	<b>D logo 45"</b>

Pole Type **D 45"**

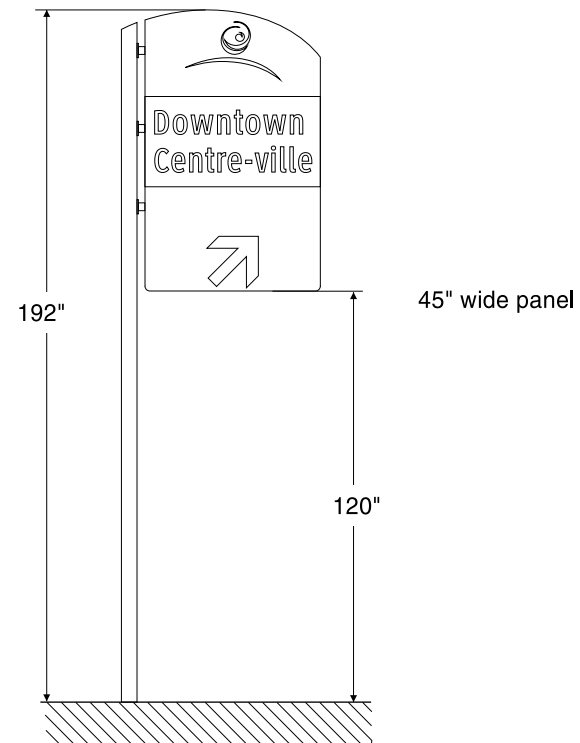




Pole Site Location W/S Century St south of Ness Av

Sign Panel	Panel Type
<b>A4</b>	<b>D logo 45"</b>

Pole Type	<b>D 45"</b>
-----------	--------------



**Field Notes for Installation:**  
 Before turn on Portage exit.

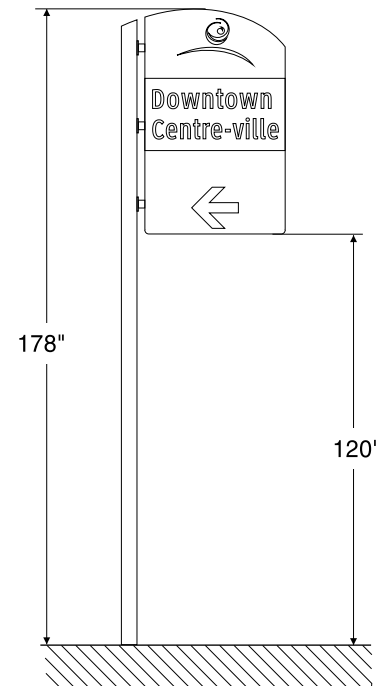


**Field Notes for Installation:**  
7' up from Esso Driveway.

Pole Site Location W/S Queen St north of Portage Av

Sign Panel	Panel Type
<b>A5</b>	<b>D logo</b>

Pole Type	<b>D</b>
-----------	----------





**Field Notes for Installation:**

At 1st “No Stop/No Parking” sign back from Newman, 90’ from Newman corner.

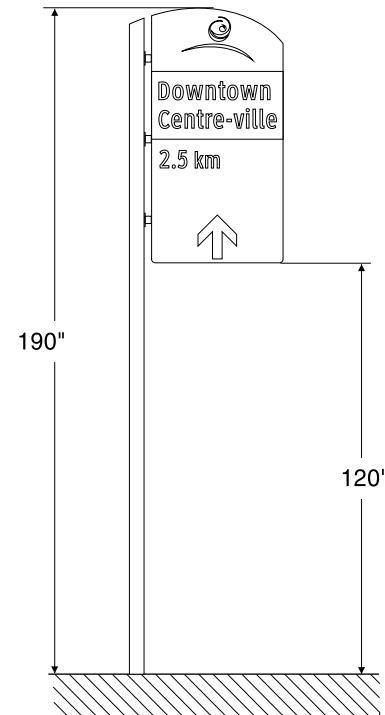
Note: Remove Centre City sign just beyond Basswood.

Pole Site Location S/S Portage Av west of Newman St

Sign Panel Panel Type

**A6** **C logo**

Pole Type **C**



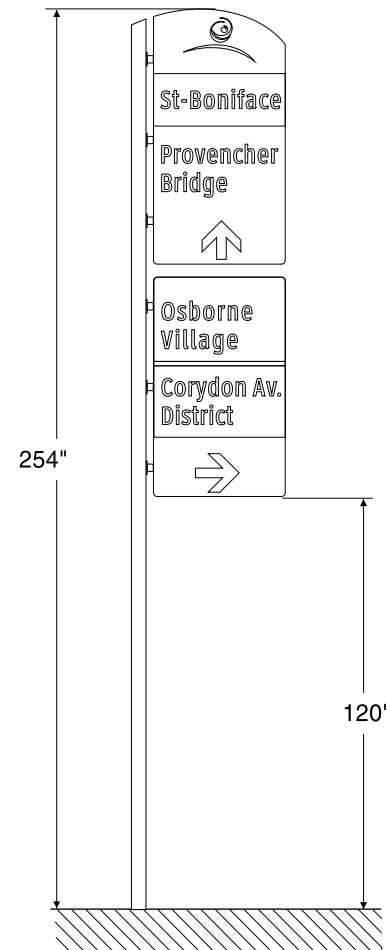


**Field Notes for Installation:**

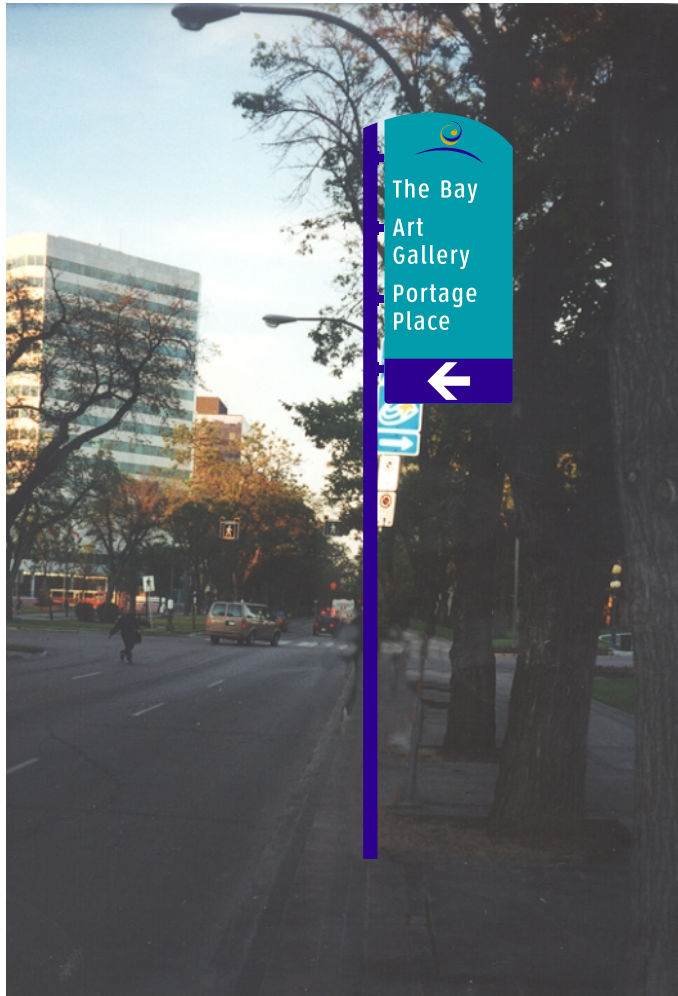
6' in front of 2nd black decorated lamp post back from Osborne.

Pole Site Location S/S Broadway west of Osborne St.

Sign Panel	Panel Type
<b>BE1-U</b>	<b>C logo</b>
<b>BE1-L</b>	<b>C lower</b>
Pole Type	<b>C+C</b>







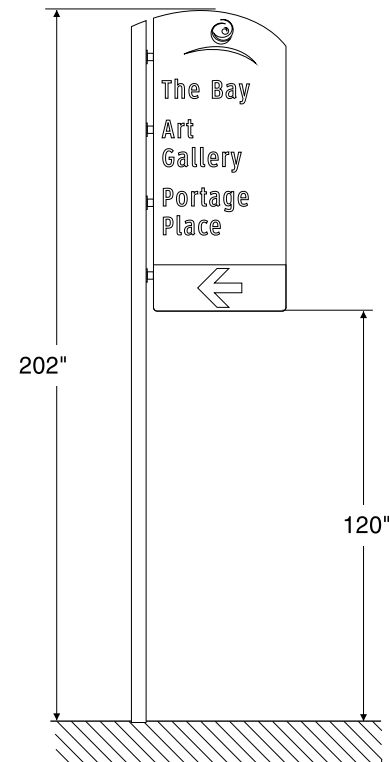
**Field Notes for Installation:**

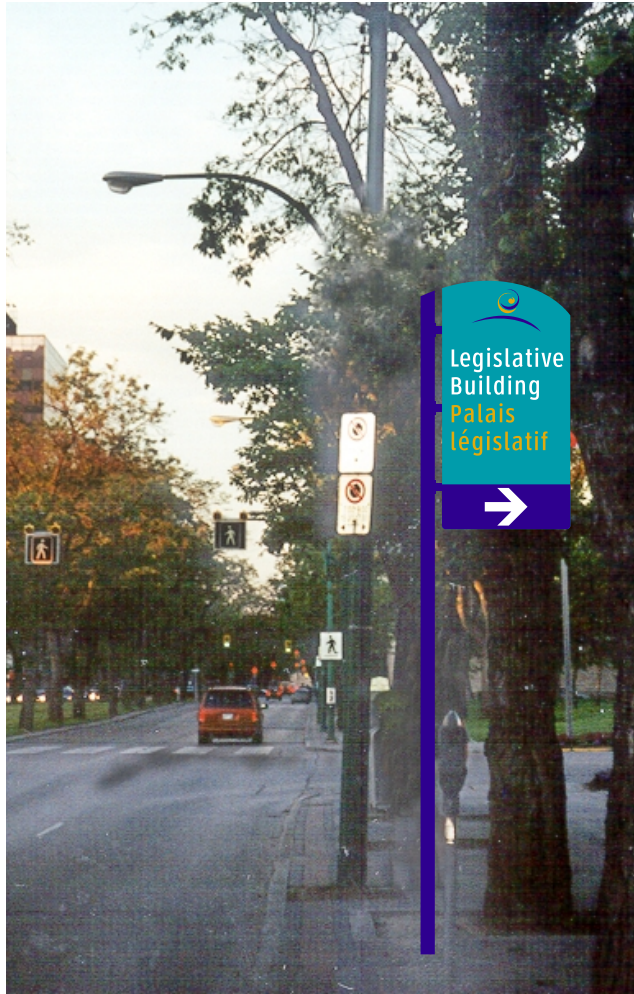
50' in front of existing star sign pole.

Pole Site Location S/S Broadway east of Osborne St.  
(before Star sign pole)

Sign Panel	Panel Type
<b>BE2</b>	<b>B logo</b>

Pole Type **B**





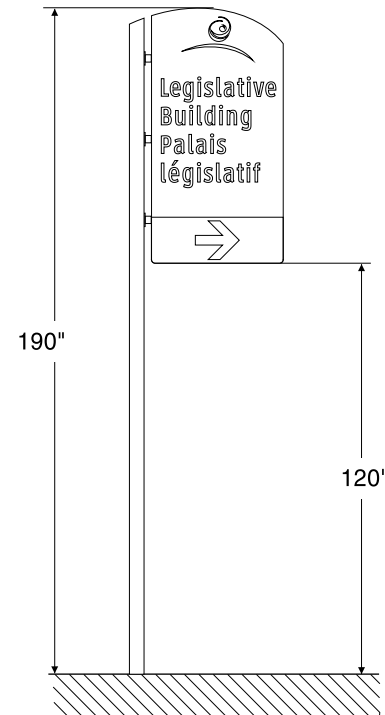
**Field Notes for Installation:**

25' west of pole holding last star sign (remove). Before Legislative Bldg. driveway.

Pole Site Location S/S Broadway east of Osborne St.  
 (before Leg. Bldg. Driveway)

Sign Panel	Panel Type
<b>BE3</b>	<b>C logo</b>

Pole Type	<b>C</b>
-----------	----------





**Field Notes for Installation:**

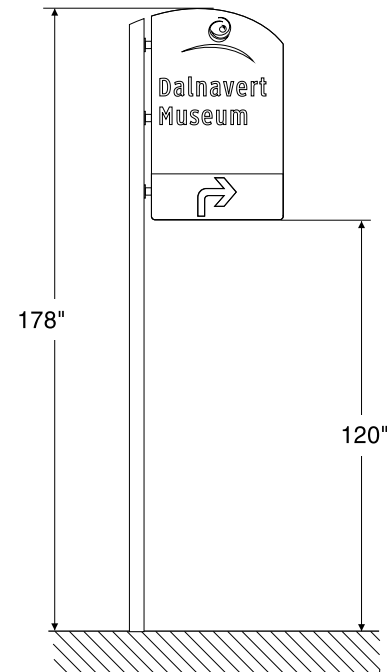
Just beyond driveway next to subway, @ 360 Broadway.

Pole Site Location S/S Broadway east of Edmonton St.

Sign Panel Panel Type

**BE4** **D logo**

Pole Type **D**



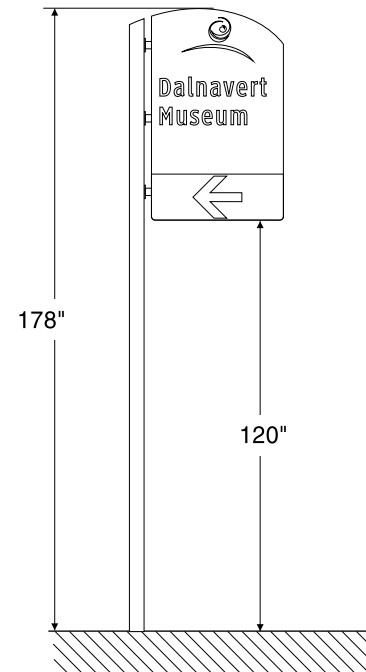


**Field Notes for Installation:**  
 Before entrance to alley, on left side of street.

Pole Site Location E/S Carlton south of Broadway

Sign Panel	Panel Type
<b>BE4-F</b>	<b>D logo</b>

Pole Type **D**





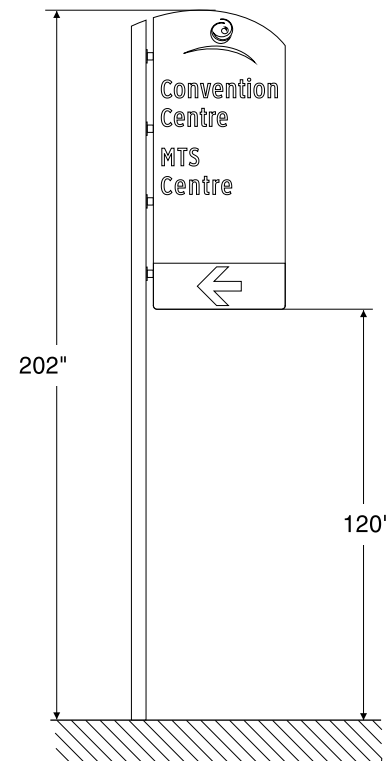
**Field Notes for Installation:**

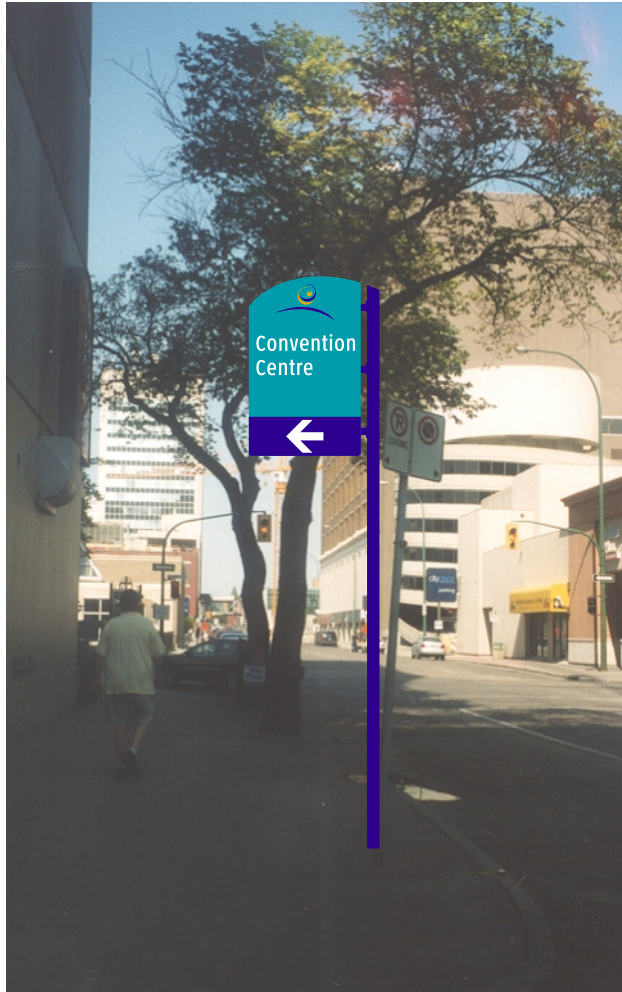
Just after Carlton at “No Parking/Stopping” sign pole at 354 Broadway.

Pole Site Location S/S Broadway west of Hargrave St

Sign Panel	Panel Type
<b>BE5</b>	<b>B logo</b>

Pole Type **B**





**Field Notes for Installation:**

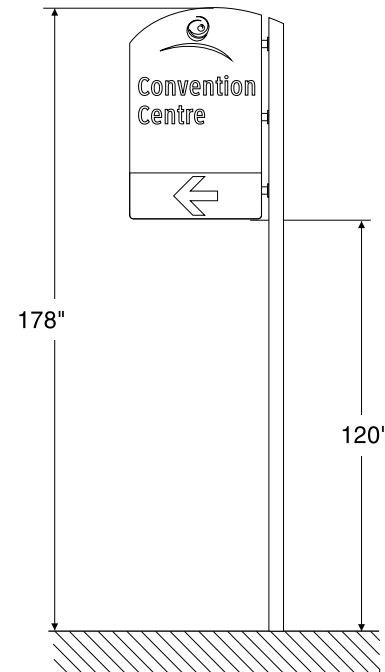
At "No Parking" sign pole before St. Mary, left side of street.

Pole Site Location W/S Hargrave St north of York Av

Sign Panel Panel Type

**BE5-F** **D logo R**

Pole Type **D**



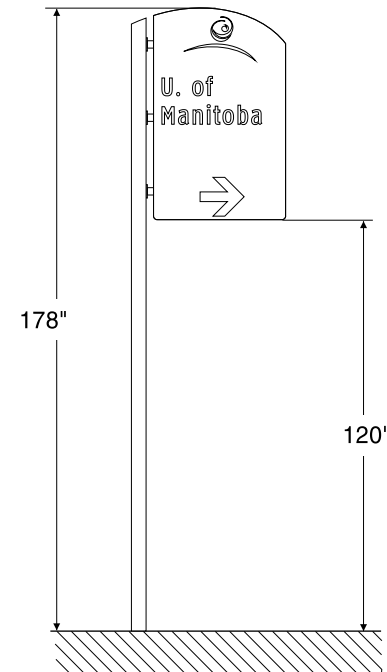


Pole Site Location S/S Broadway west of Donald St

Sign Panel Panel Type

**BE6** **D logo**

Pole Type **D**



**Field Notes for Installation:**

25' west of 2nd pole back from Donald, in front of 314 Broadway.



**Field Notes for Installation:**

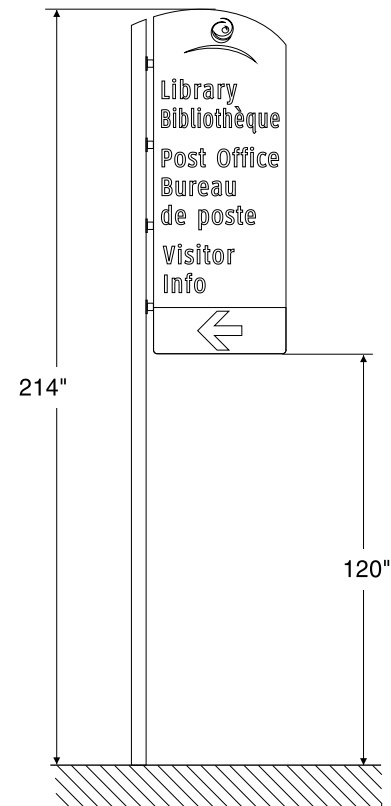
Just in front of 5th tree beyond Donald (at 280 Broadway).

Pole Site Location S/S Boardway west of Smith St

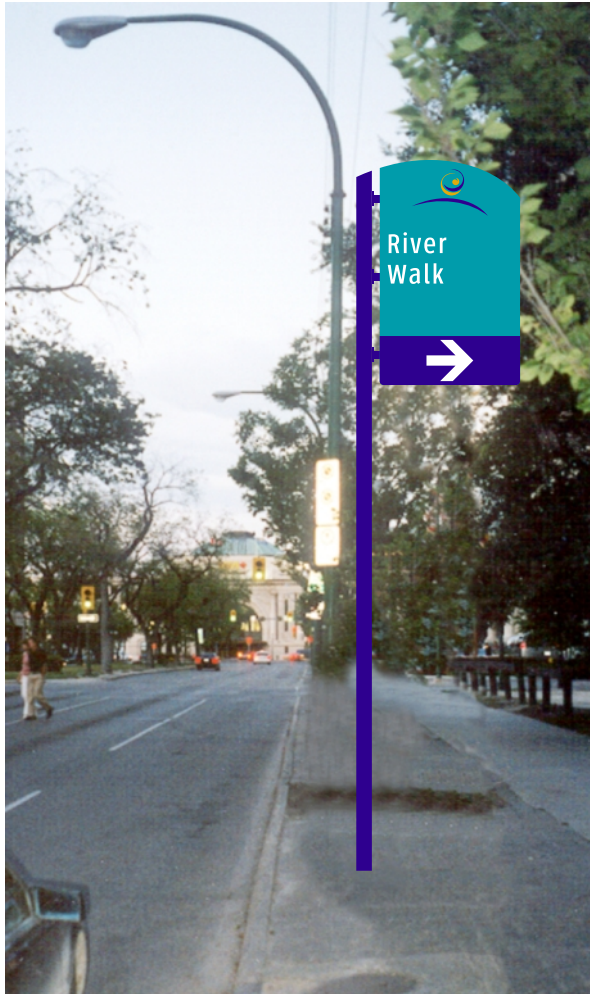
Sign Panel Panel Type

**BE7** **A logo**

Pole Type **A**







**Field Notes for Installation:**

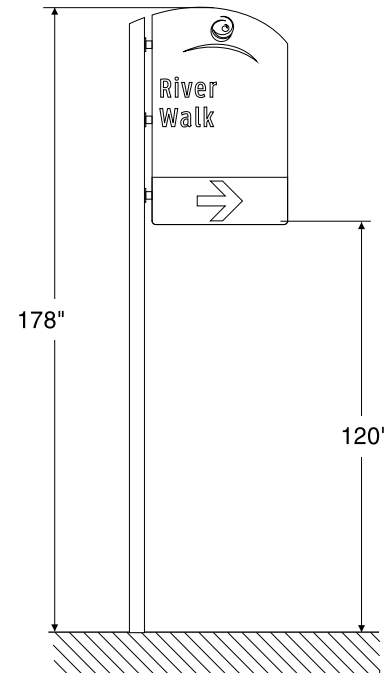
22' west of 2nd pole from Garry (at 250 Broadway).

Pole Site Location S/S Broadway west of Garry St

Sign Panel Panel Type

**BE8** **D logo**

Pole Type **D**

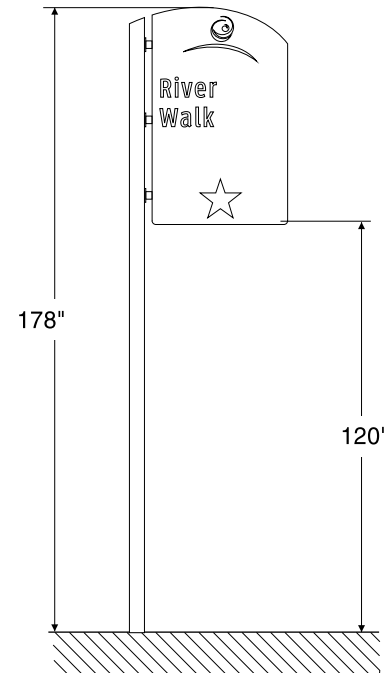


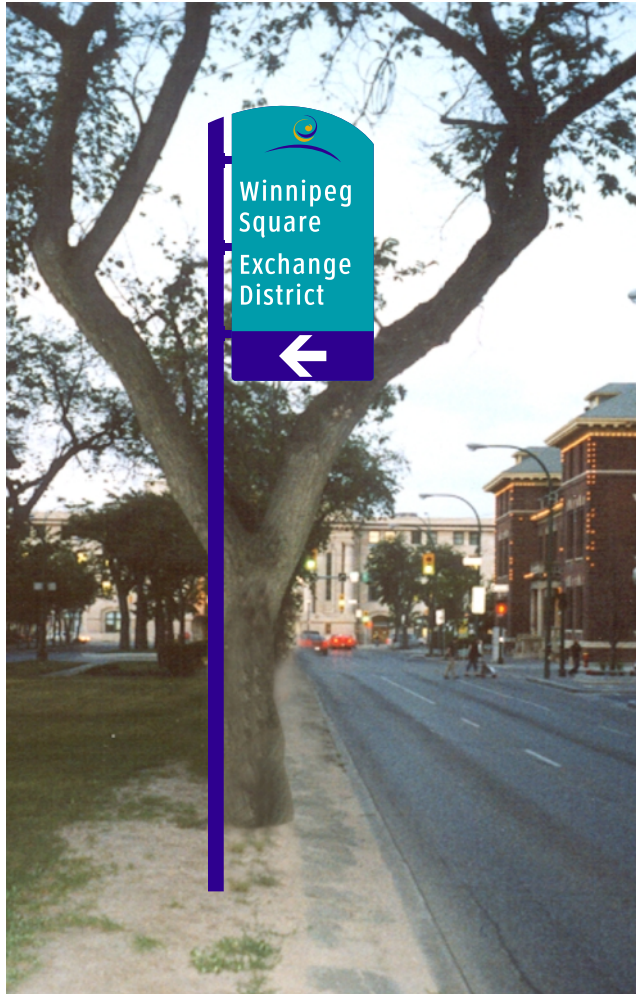


**Field Notes for Installation:**

New pole as indicated, sign facing oncoming traffic from Garry St.

Pole Site Location	S/S Assiniboine facing traffic on	
	Garry St	
	Sign Panel	Panel Type
	<b>BE8-F</b>	<b>D logo</b>
	Pole Type	<b>D</b>





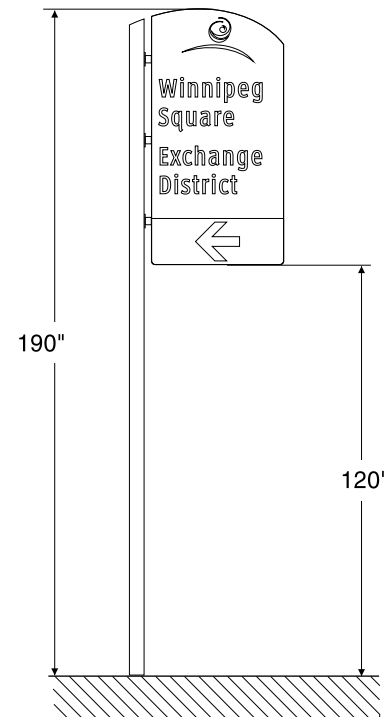
**Field Notes for Installation:**

4' east of 2nd tree from Garry in median.

Pile Site Location Median on Broadway west of Fort St

Sign Panel	Panel Type
<b>BE9</b>	<b>C logo</b>

Pole Type **C**





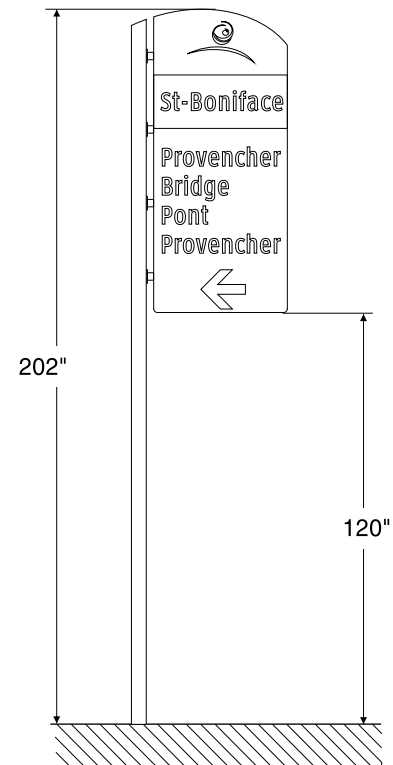
**Field Notes for Installation:**

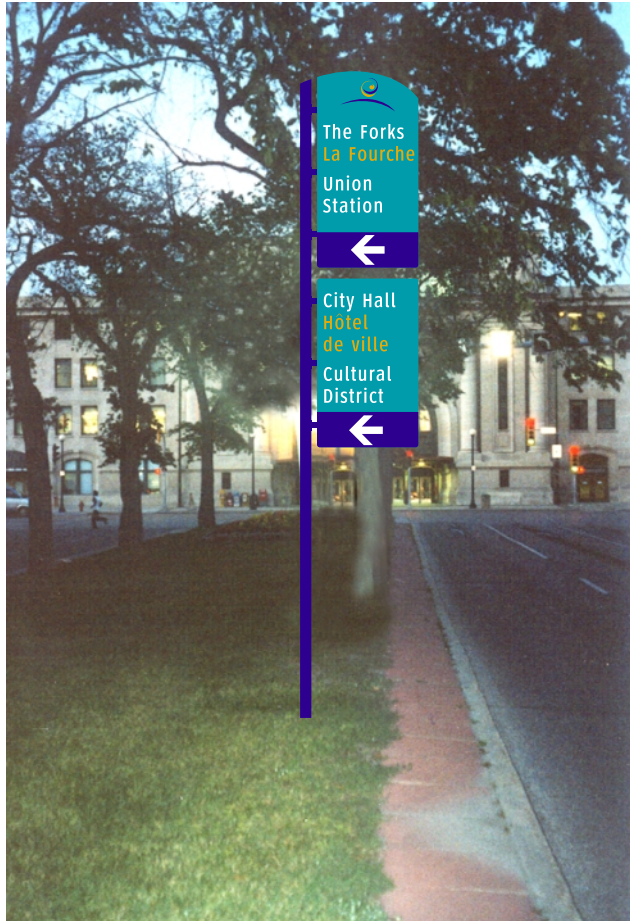
14' in front of 2nd tree from Fort in median.

Pile Site Location Median on Broadway east of Fort St.

Sign Panel	Panel Type
<b>BE10</b>	<b>B logo</b>

Pole Type **B**





**Field Notes for Installation:**  
At Forks sign pole in median.

Pole Site Location Median on Broadway west of Main St

Sign Panel	Panel Type
<b>BE11-U</b>	<b>C logo</b>
<b>BE11-L</b>	<b>C lower</b>
Pole Type	<b>C+C</b>

