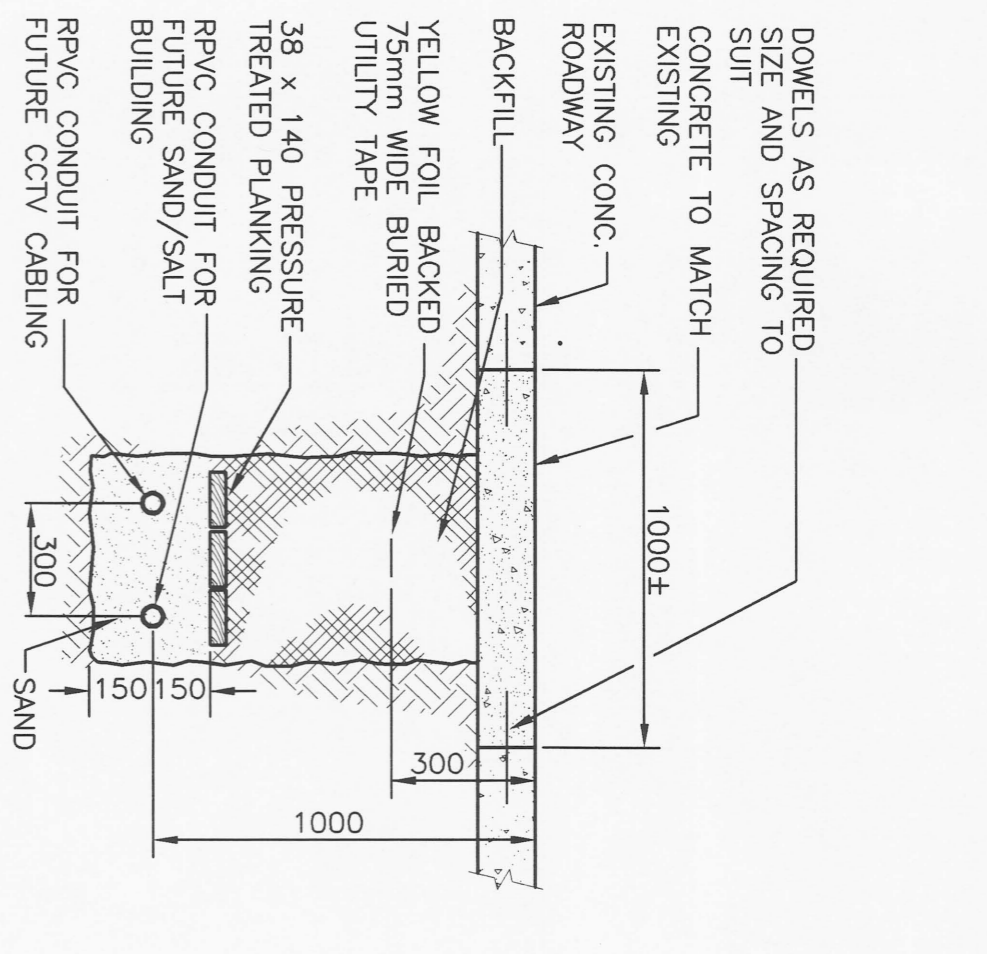
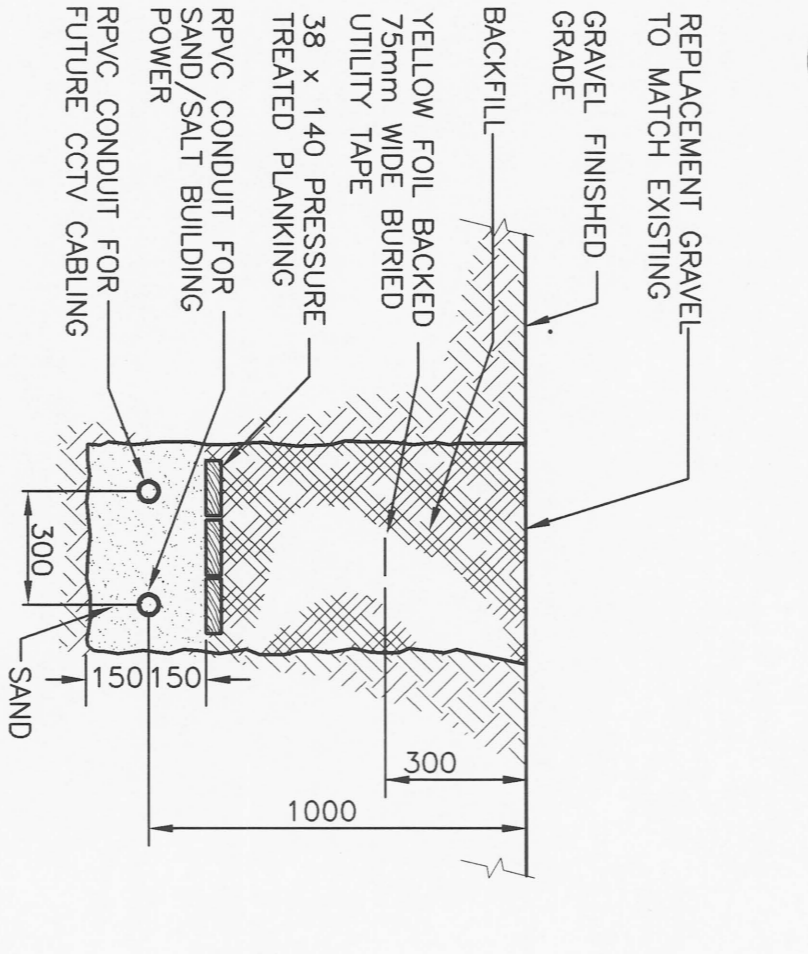


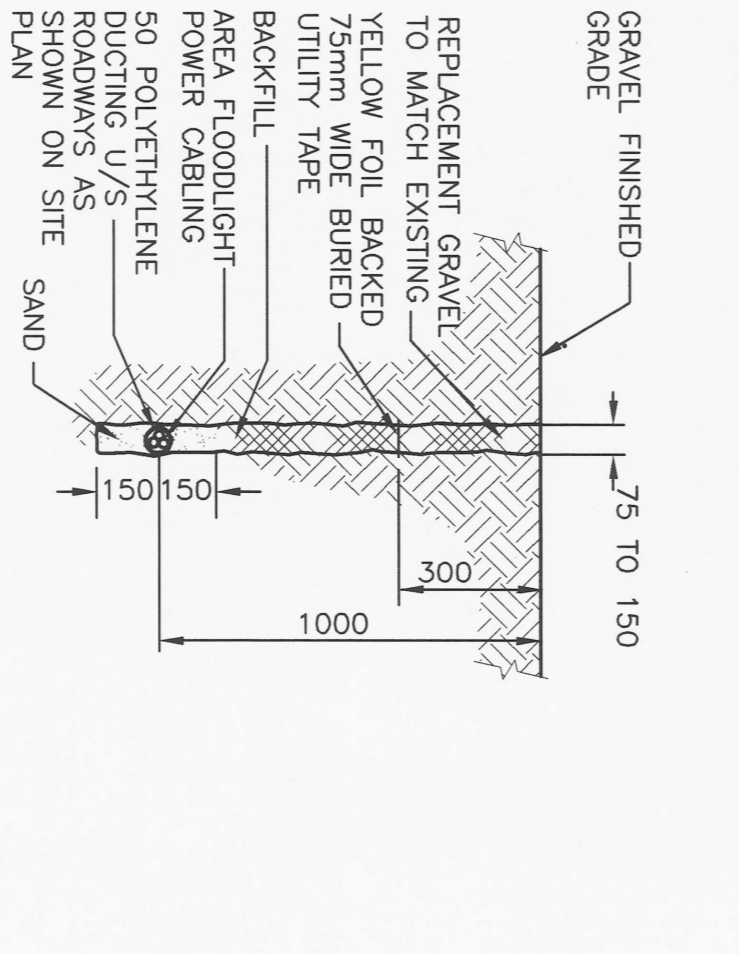
A DETAIL - FLOODLIGHT AND POLE
 04|05 N.T.S.



B TRENCH DETAIL UNDER CONCRETE ROADWAY
 04|05 N.T.S.



C TRENCH DETAIL UNDER GRAVEL AREA
 04|05 N.T.S.

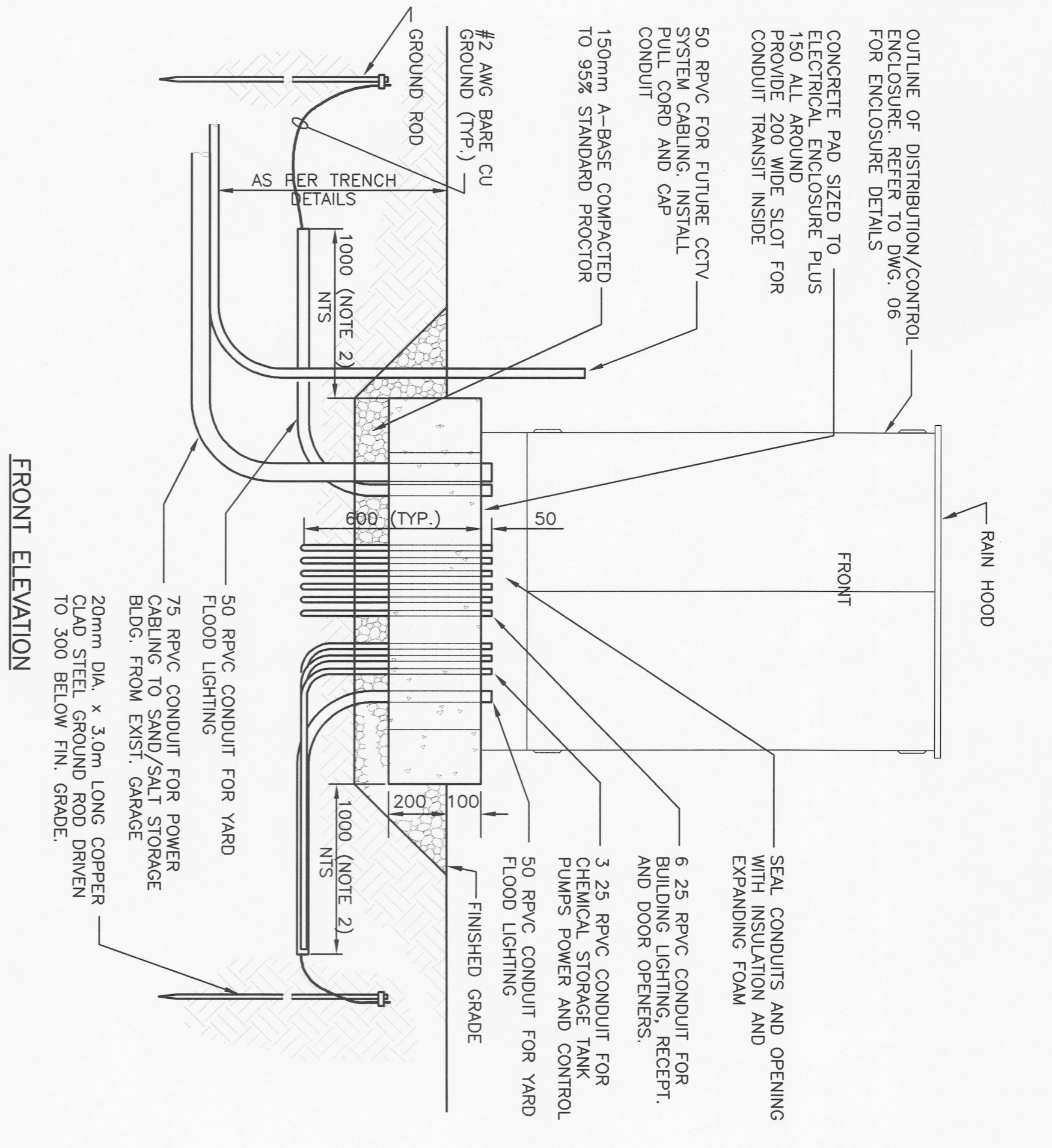


D TRENCH DETAIL FLOODLIGHT POWER
 04|05 N.T.S.

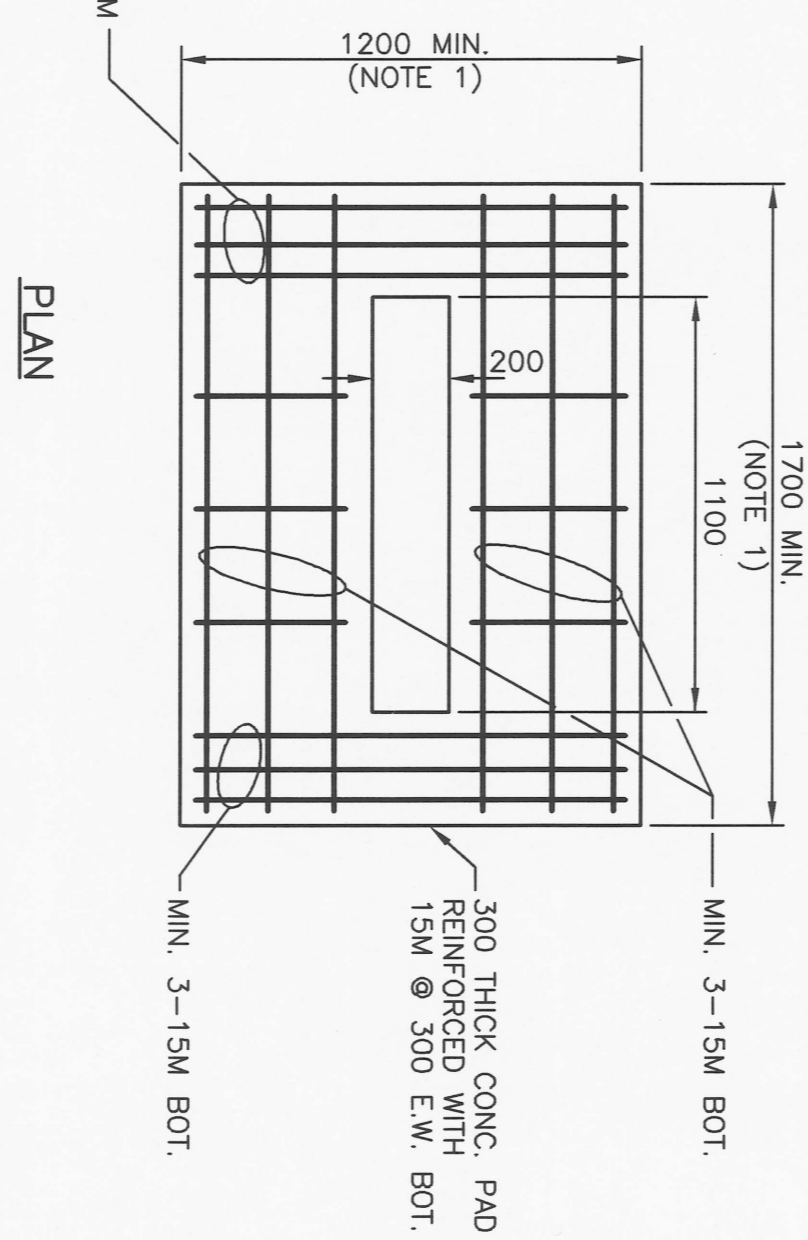
B01	40A	100A	B12
B02	100A	100A	B13
B03	100A	100A	B14
B04	100A	100A	B15
B05	200A	150A	B16
B06	150A	SPACE	B17
B07	200A	200A	B18
B08	SPACE	SPACE	B19
B09	SPACE	SPACE	B20
B10	SPACE	SPACE	B21

EXISTING 800A, 120/208V, 3PH, 4W CDP 'B' LOCATED ON MEZZANINE FLOOR
 USE EXISTING 100A, 3P CIRCUIT BREAKER FOR NEW SAND/SALT STORAGE BLDG. ELECTRICAL DISTRIBUTION

E EXISTING CDP 'B' ELEVATION
 04|05 N.T.S.

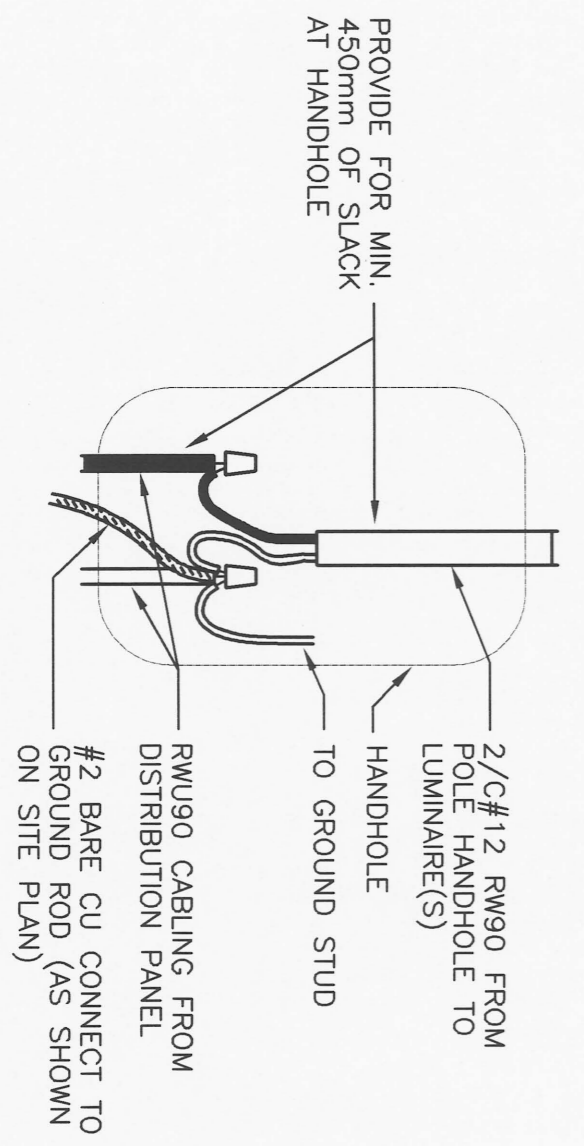


F DISTRIBUTION PAD AND CONDUIT ENCLOSURE PAD AND CONDUIT
 04|05 1:20



NOTES
 1. EXACT DIMENSIONS OF CONCRETE PAD TO BE DETERMINED AT FINAL SHOP DRAWING APPROVAL.
 2. CONDUITS TO EXTEND 1000 PAST THE EDGE OF THE CONCRETE FOUNDATION.

G FLOODLIGHT WIRING
 N.T.S.



H FLOODLIGHT WIRING
 N.T.S.

NO.	REVISIONS	DATE	BY
1	ISSUED FOR CONSTRUCTION	04/23/12	SK
0	ISSUED FOR REVIEW	04/20/12	SK

UMA Consulting Engineering Construction Management Services
 UMA Engineering Ltd.
 DESIGNED BY SK
 CHECKED BY K. Kishore
 APPROVED BY K. Kishore
 RELEASED FOR CONSTRUCTION BY K. Kishore
 DATE 04/23/12

REGISTERED PROFESSIONAL ENGINEER
 B.N. FEUER
 CONSULTANT DRAWING NO. 41-09-0265-366-00

THE CITY OF WINNIPEG
 PUBLIC WORKS DEPARTMENT
 ENGINEERING DIVISION
 SAND/SALT STORAGE FACILITY
 PUBLIC WORKS YARD
 1539 WAVERLEY STREET
 ELECTRICAL DETAILS

METRIC
 Certificate of Authorization
 UMA Engineering Ltd.
 No. 296 Expiry: April 30, 2004

BID OPPORTUNITY No. 187-2004
 CITY DRAWING NUMBER N/A
 SHEET 5 OF 6
 REV 05 1