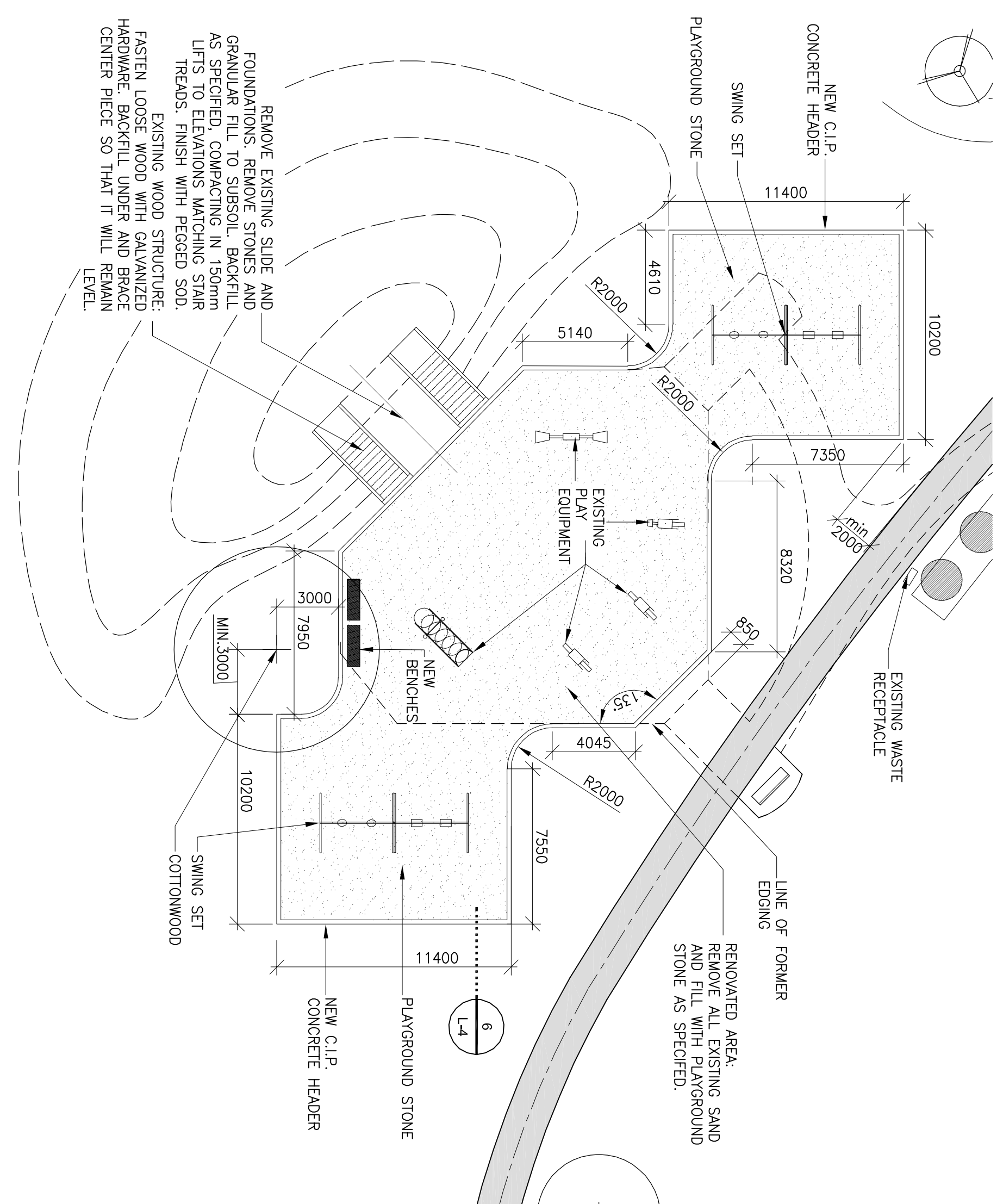
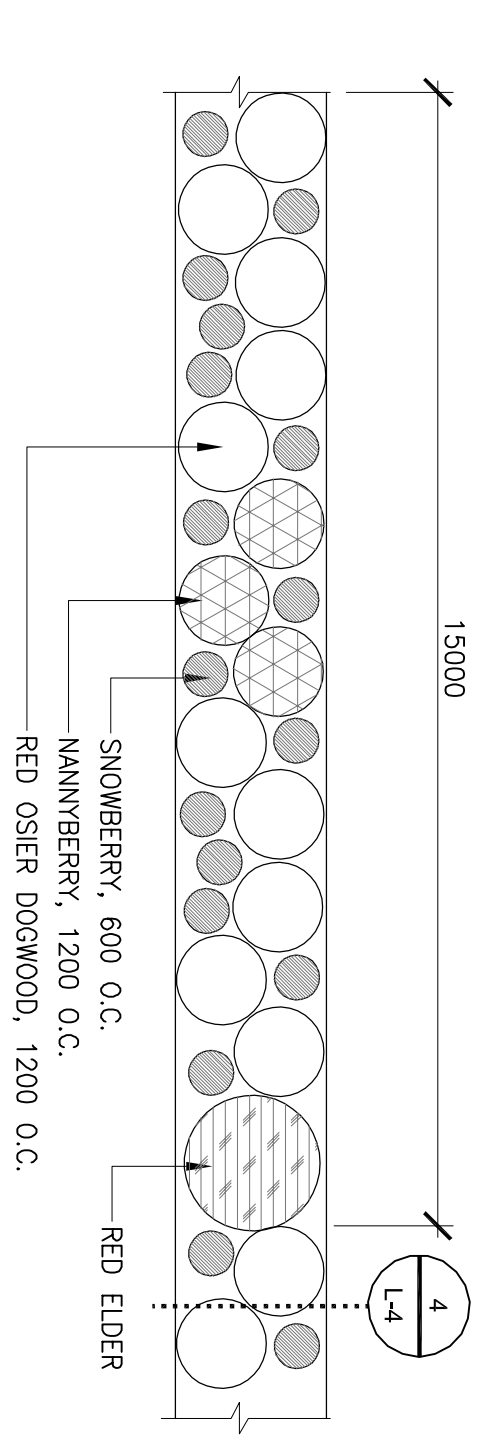


1 WEST ENTRY AREA  
SCALE: 1:200

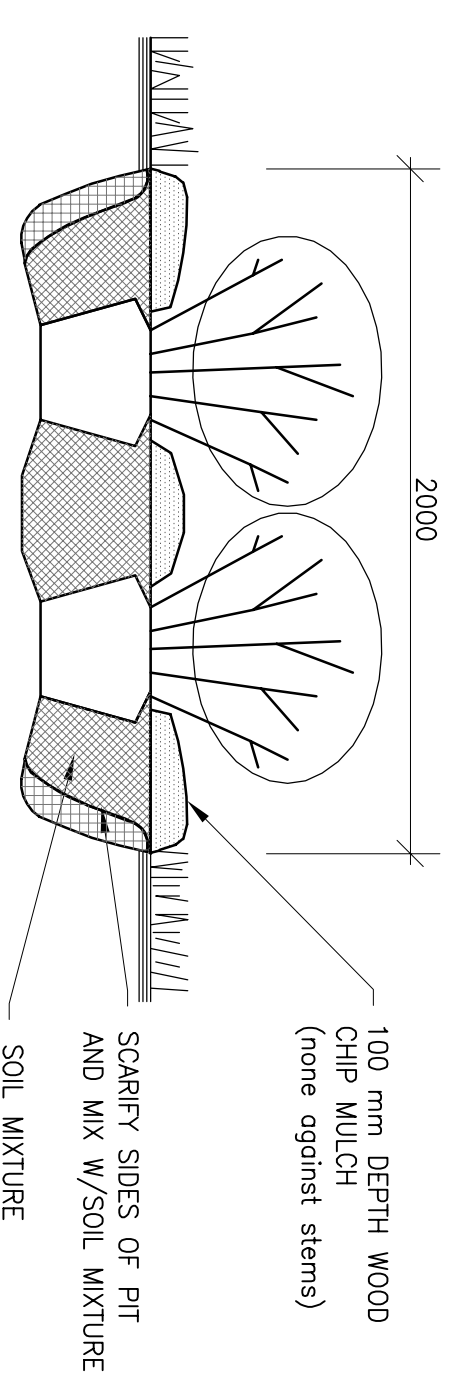


2 PLAYGROUND  
SCALE: 1:200

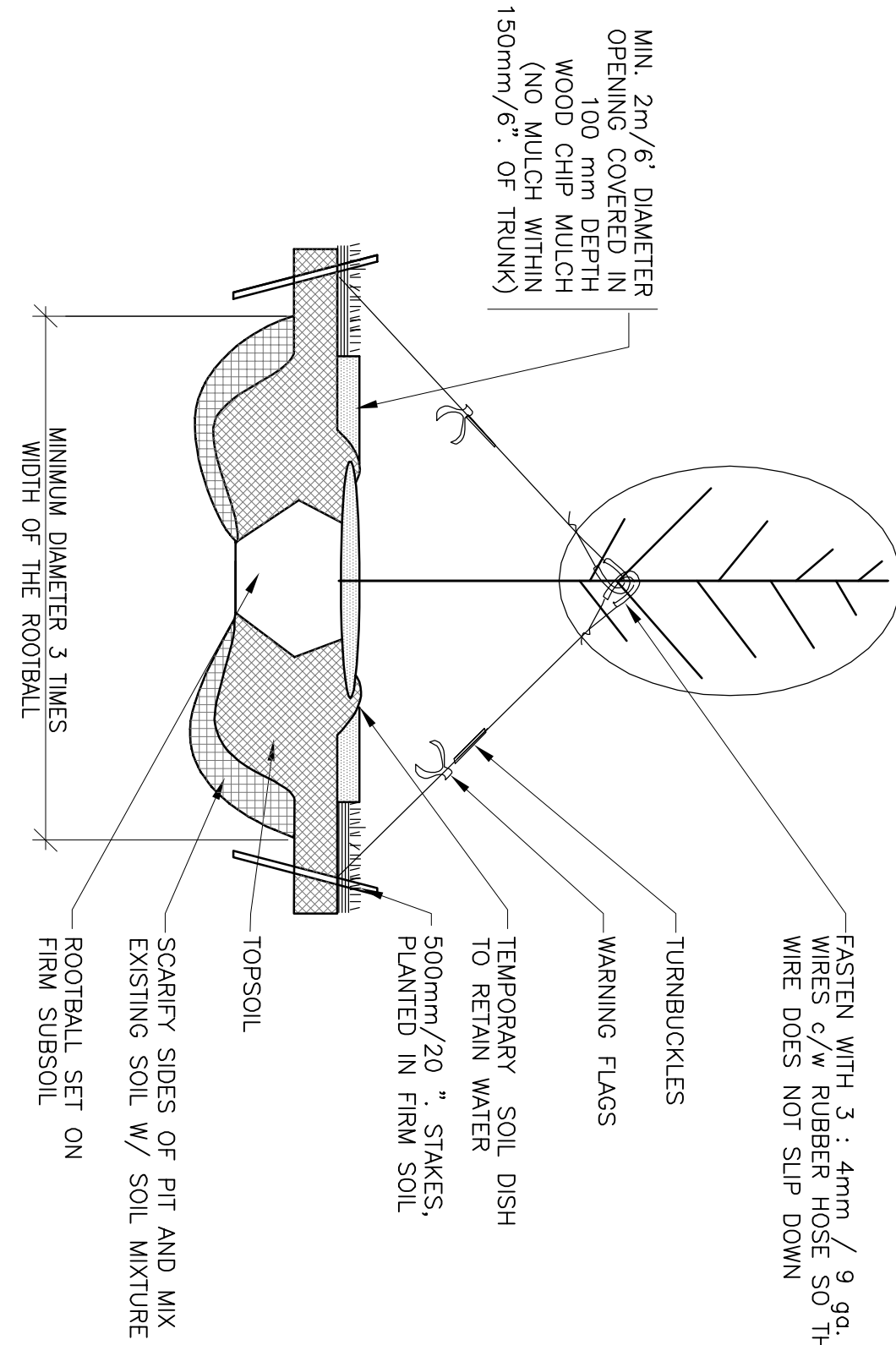


3 PLANTING BED - TYPICAL DETAIL  
SCALE: 1:100

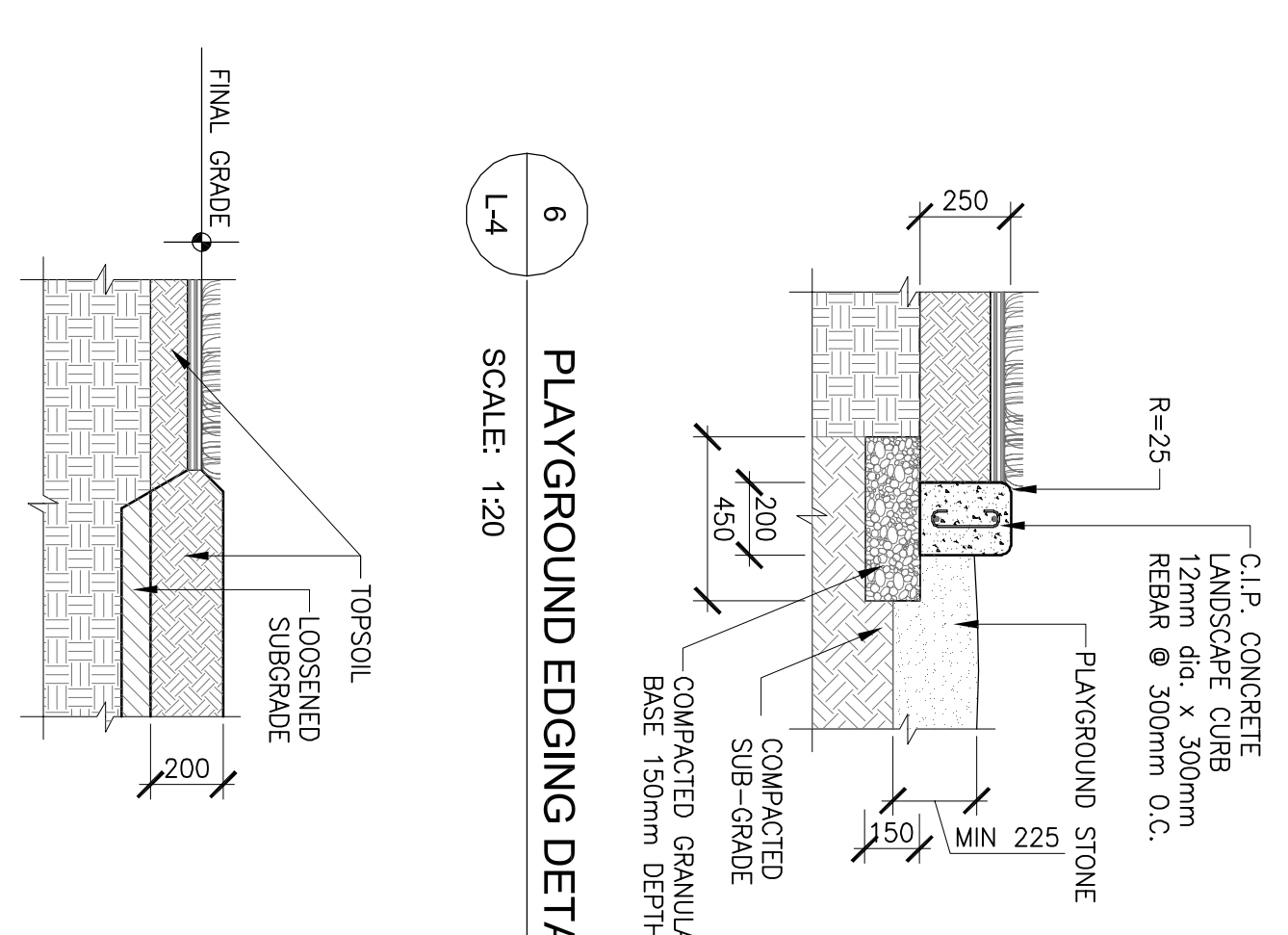
NOTE:  
PLANTING PATTERN SHOWN HERE TO BE REPEATED, LEAVING A ROWS OF 1200mm OPEN AROUND TREE CENTERS.



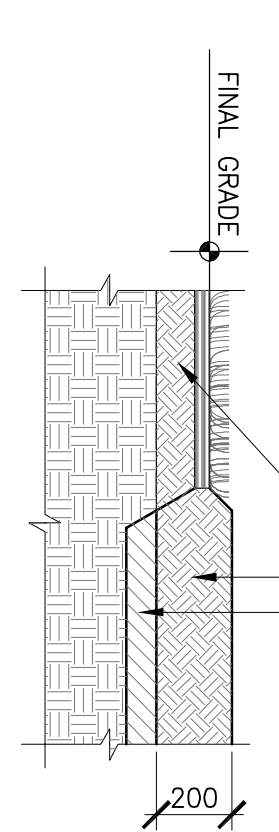
4 TYPICAL SHRUB BED SECTION  
SCALE: N.T.S.



5 TYPICAL TREE PLANTING  
SCALE: N.T.S.



6 PLAYGROUND EDGING DETAIL  
SCALE: 1:20



7 COMMUNITY GARDENS SECTION  
SCALE: 1:20

No. Revision Date By  
 Drawn By: V. M.  
 Checked By: C. C.  
 Printing Date: 17 APRIL 2004

This drawing is the property of the firm and shall remain the property of the firm in same being reserved to her. It is not to be reproduced without her permission.  
 This drawing must not be scaled.  
 This drawing is the property of the firm and shall remain the property of the firm in same being reserved to her. It is not to be reproduced without her permission.  
 Any unauthorized alteration of the electronic data which constitute this document will void all responsibility for the same being reserved to her. It is not to be reproduced without her permission.  
 This drawing is not to be used for construction without the permission of the architect.

Seal

CYNTHIA COHLMEYER  
 LANDSCAPE ARCHITECT

ROBSON ATWOOD  
 PARK  
 Winnipeg, Manitoba  
 June, 2004

359 McDermott Avenue  
 Winnipeg, MB R2A 3J4  
 TEL: (204) 953-1394  
 FAX: (204) 953-1396  
 cynthia@collar.ca

Project No. C0322  
 Sheet No. L-4

PLAN  
 DETAILS