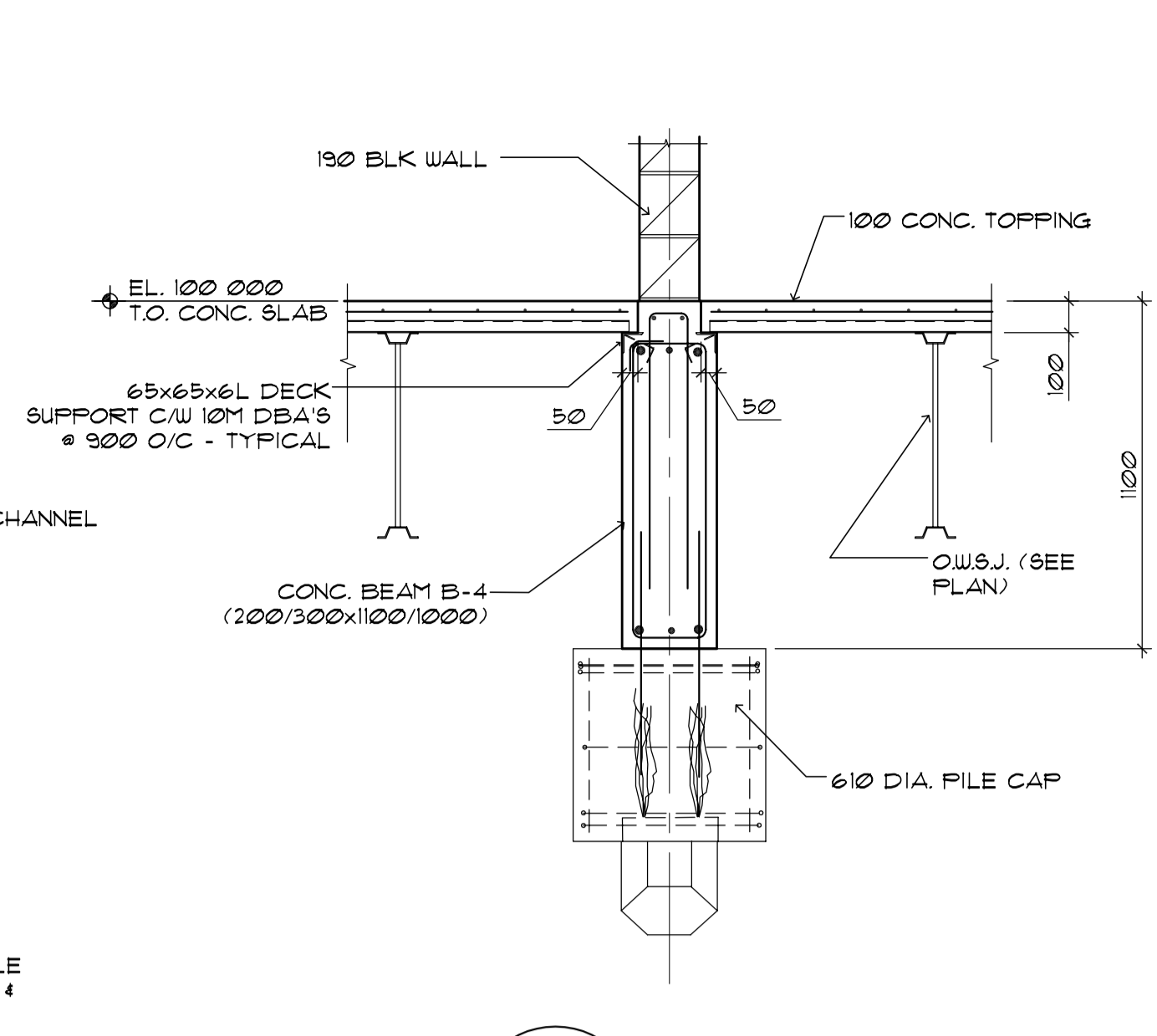
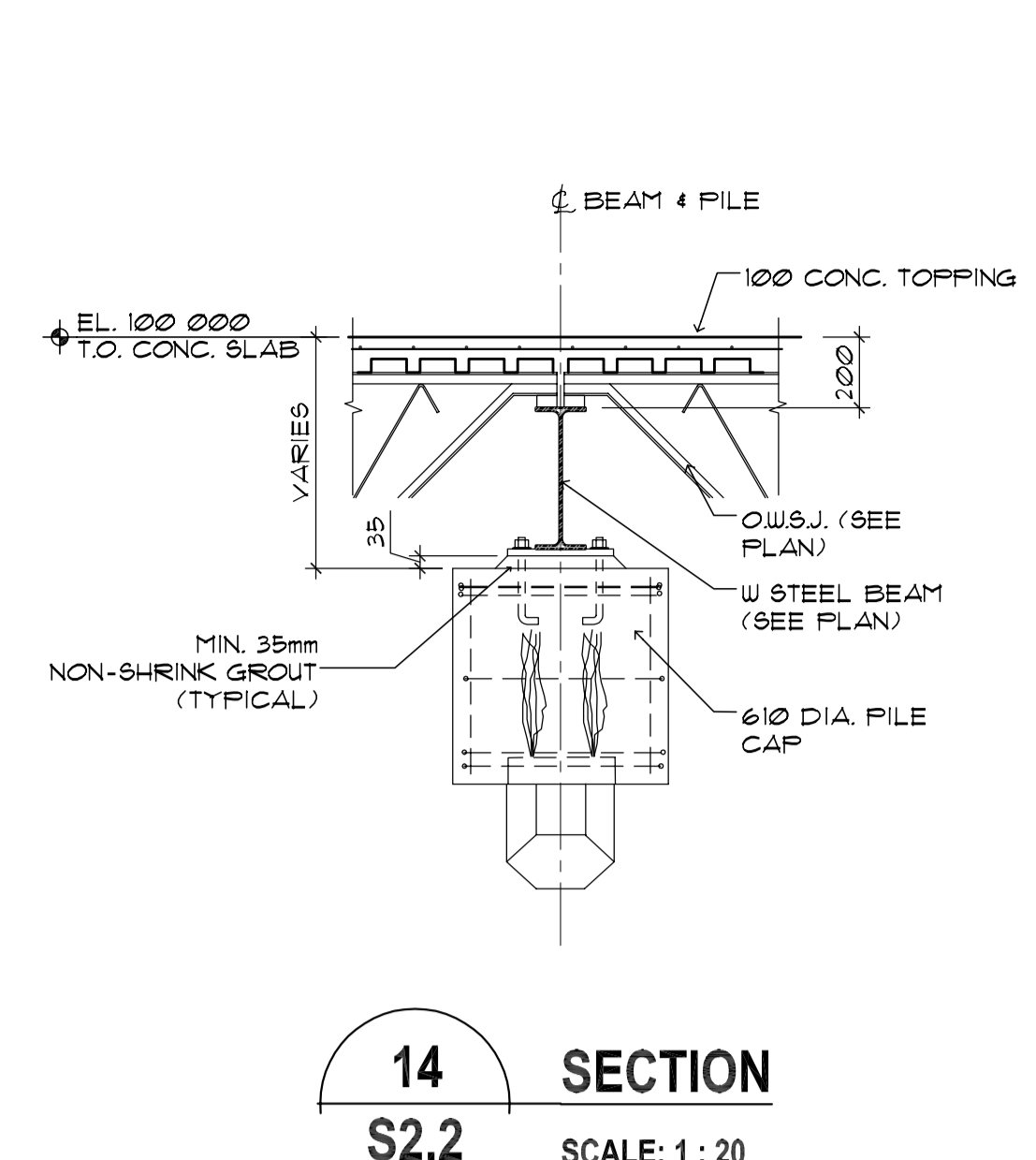


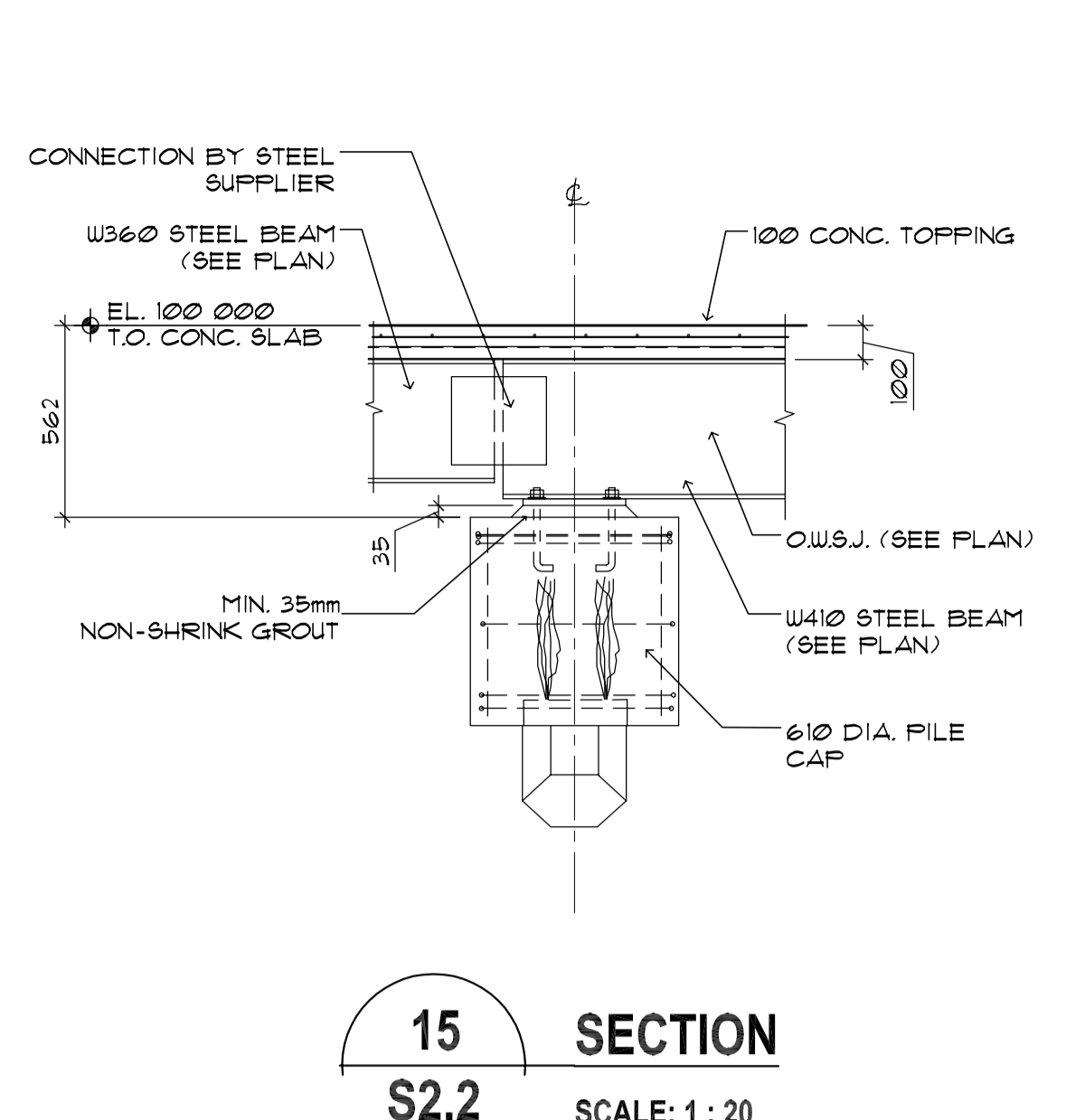
10 SECTION
 S2.2 SCALE: 1:20



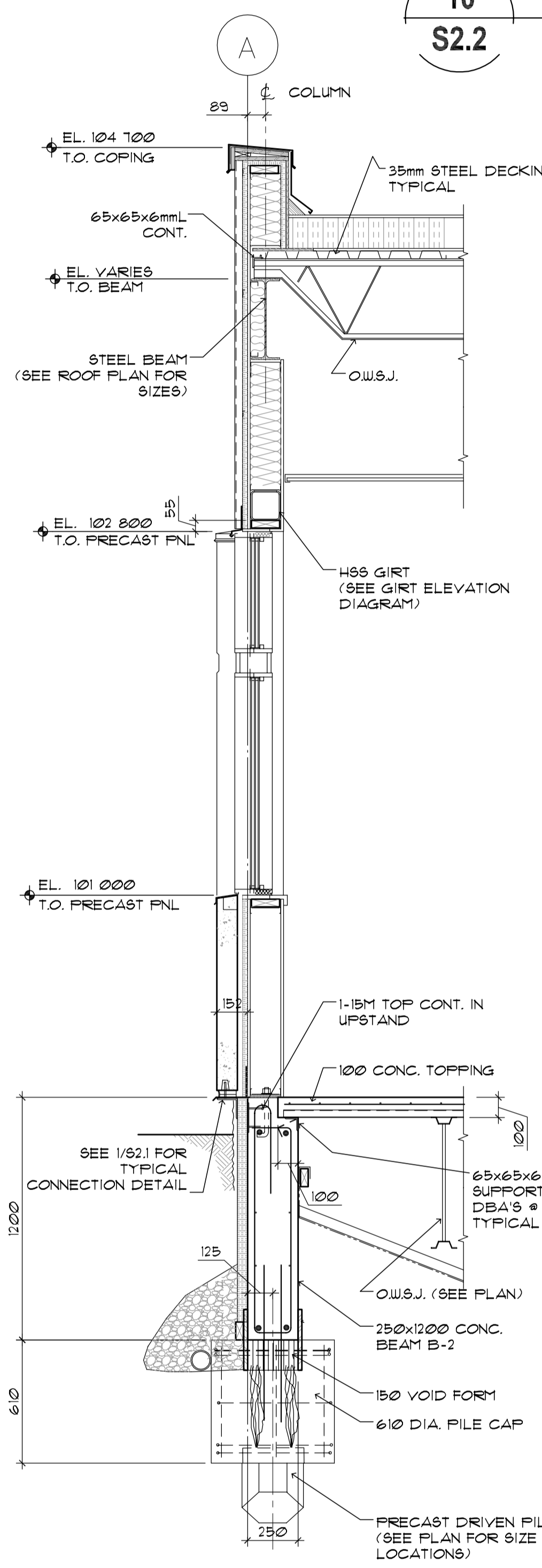
12 SECTION
 S2.2 SCALE: 1:20



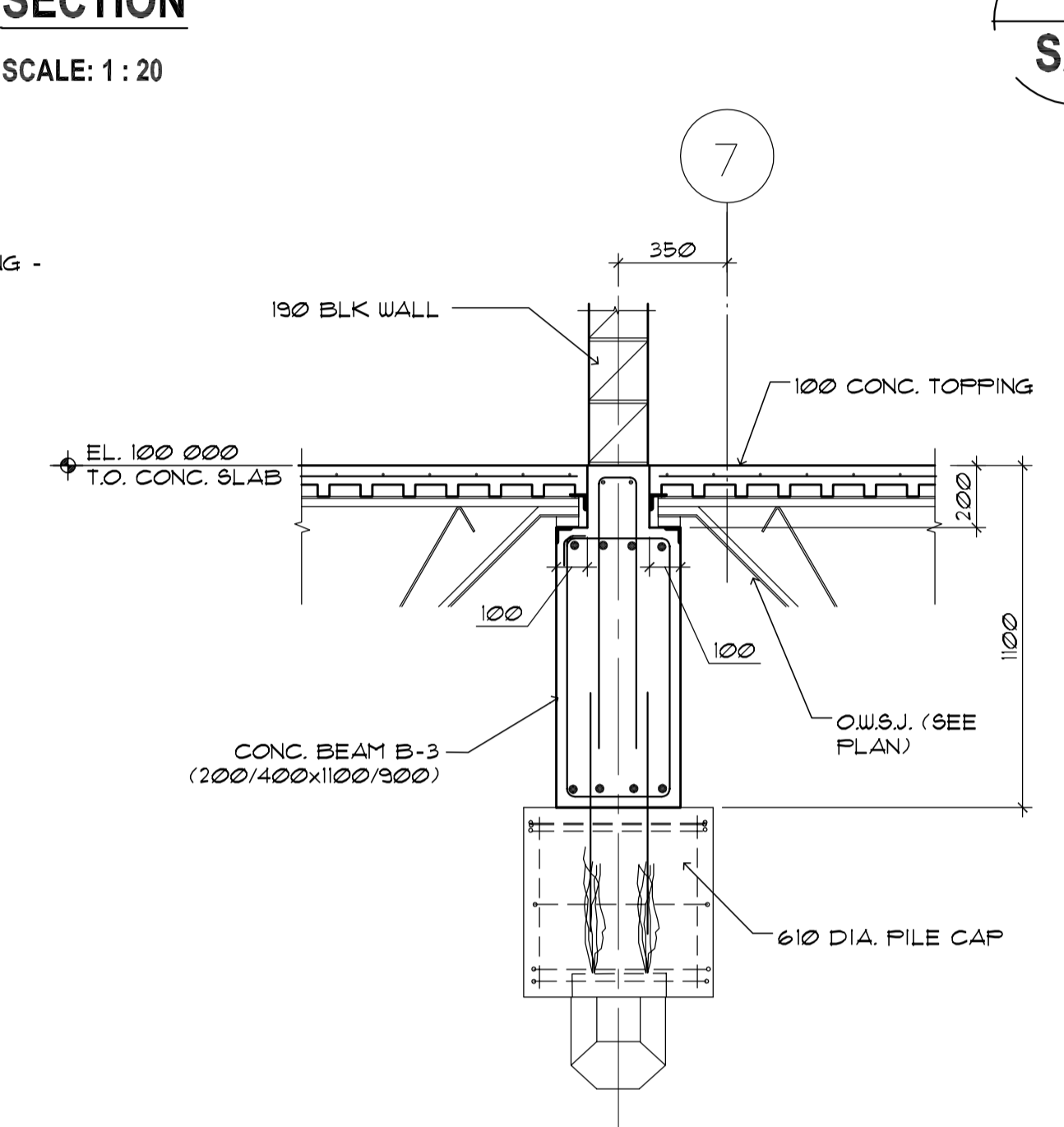
14 SECTION
 S2.2 SCALE: 1:20



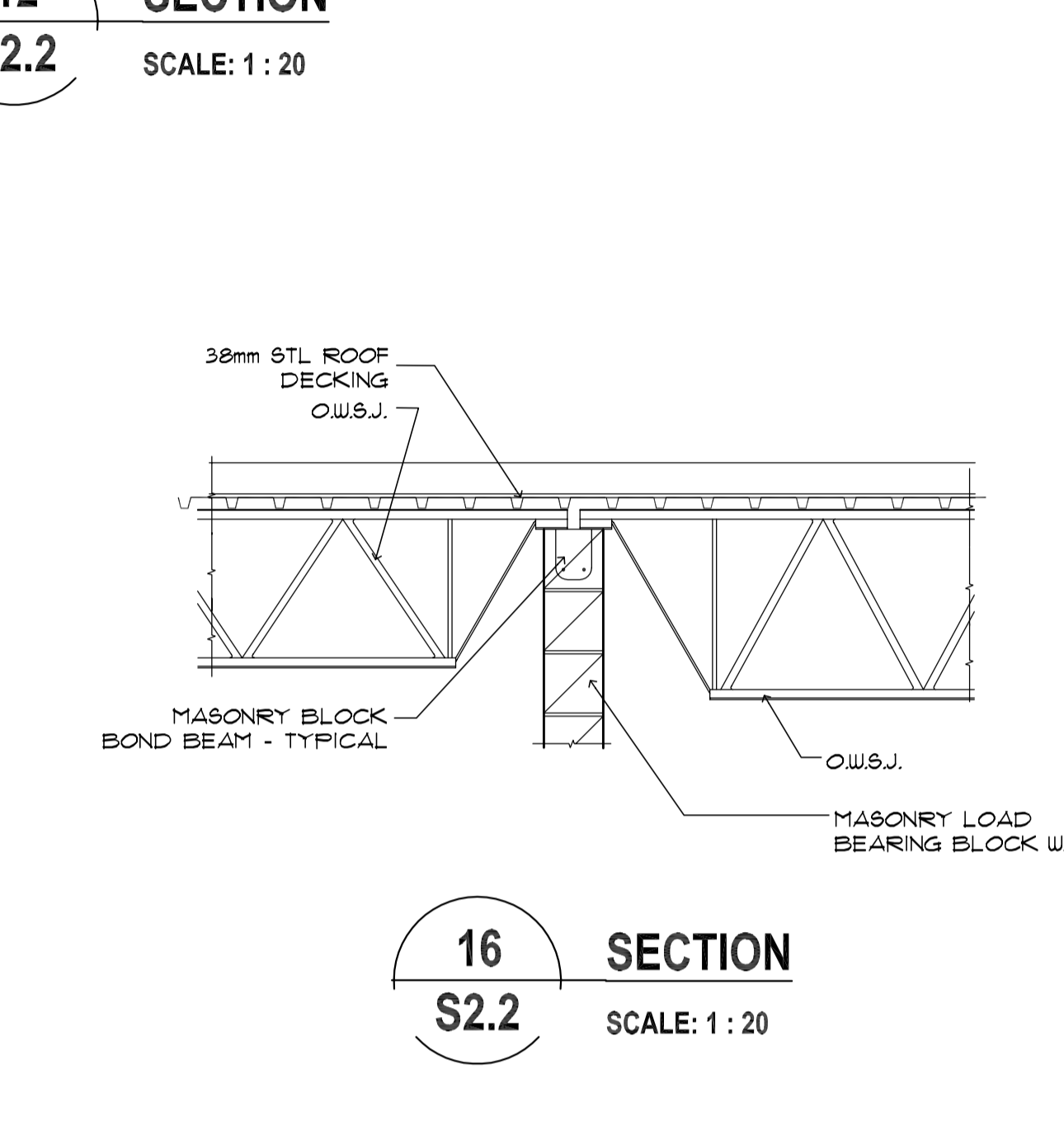
15 SECTION
 S2.2 SCALE: 1:20



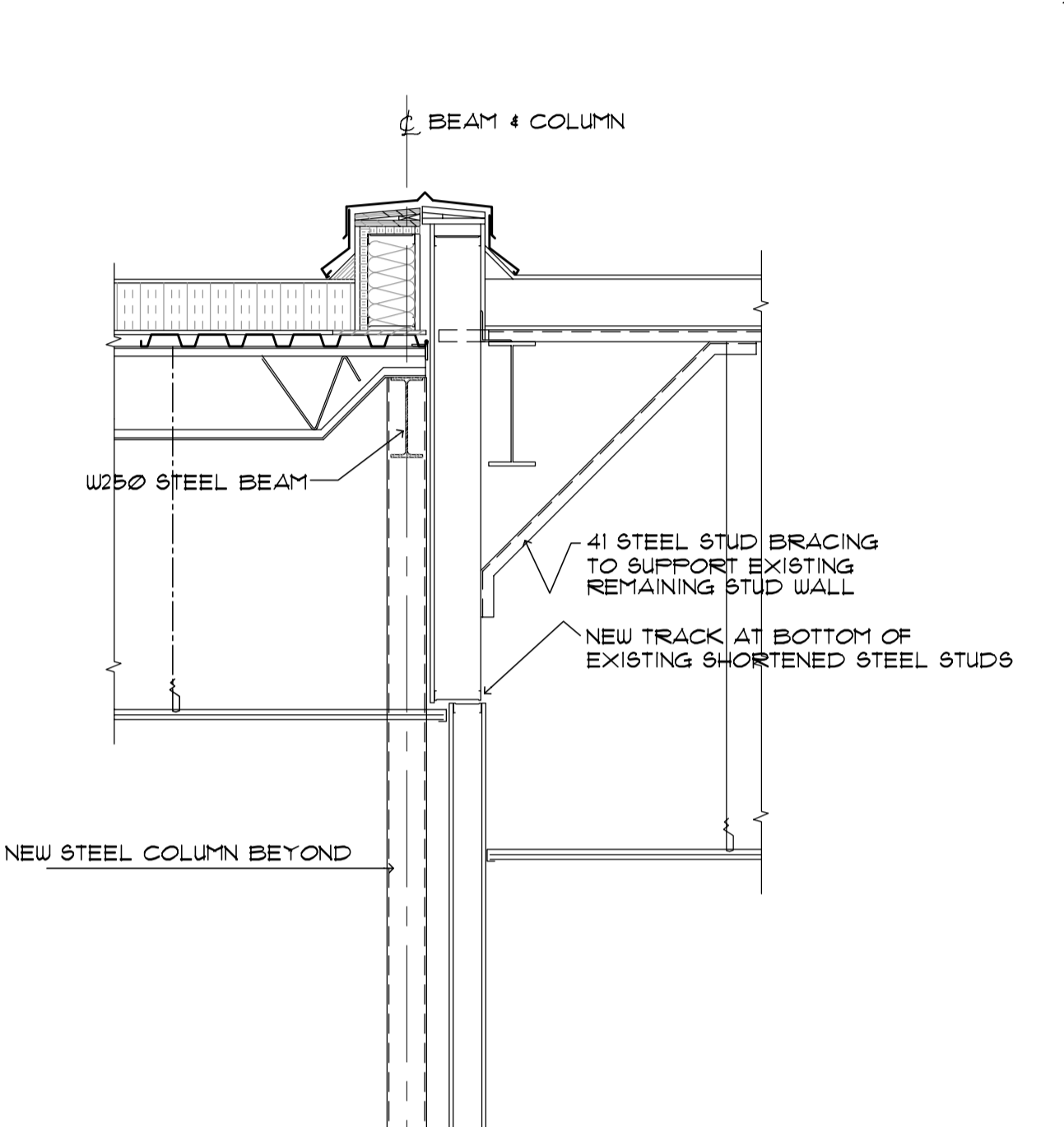
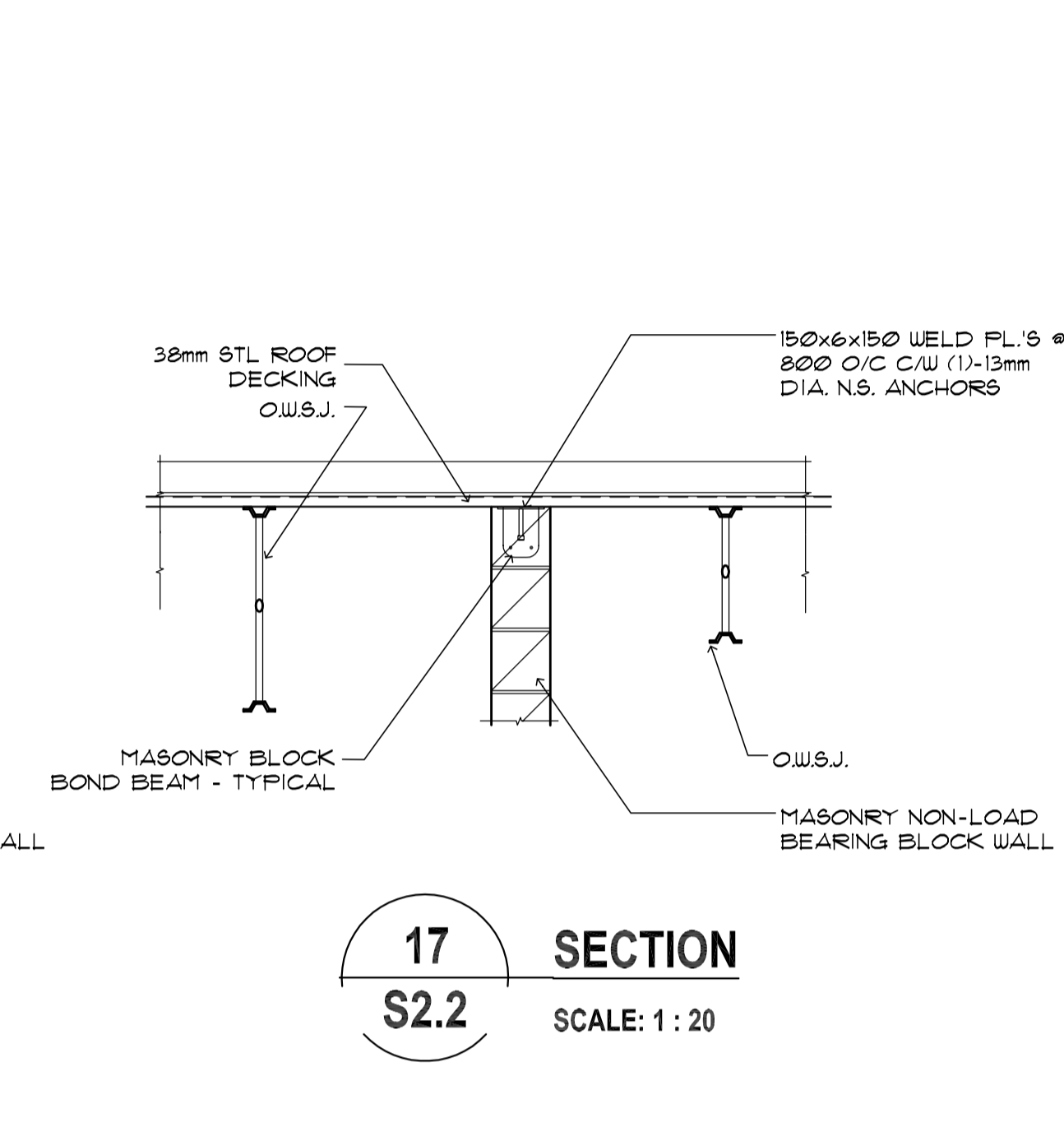
11 SECTION
 S2.2 SCALE: 1:20



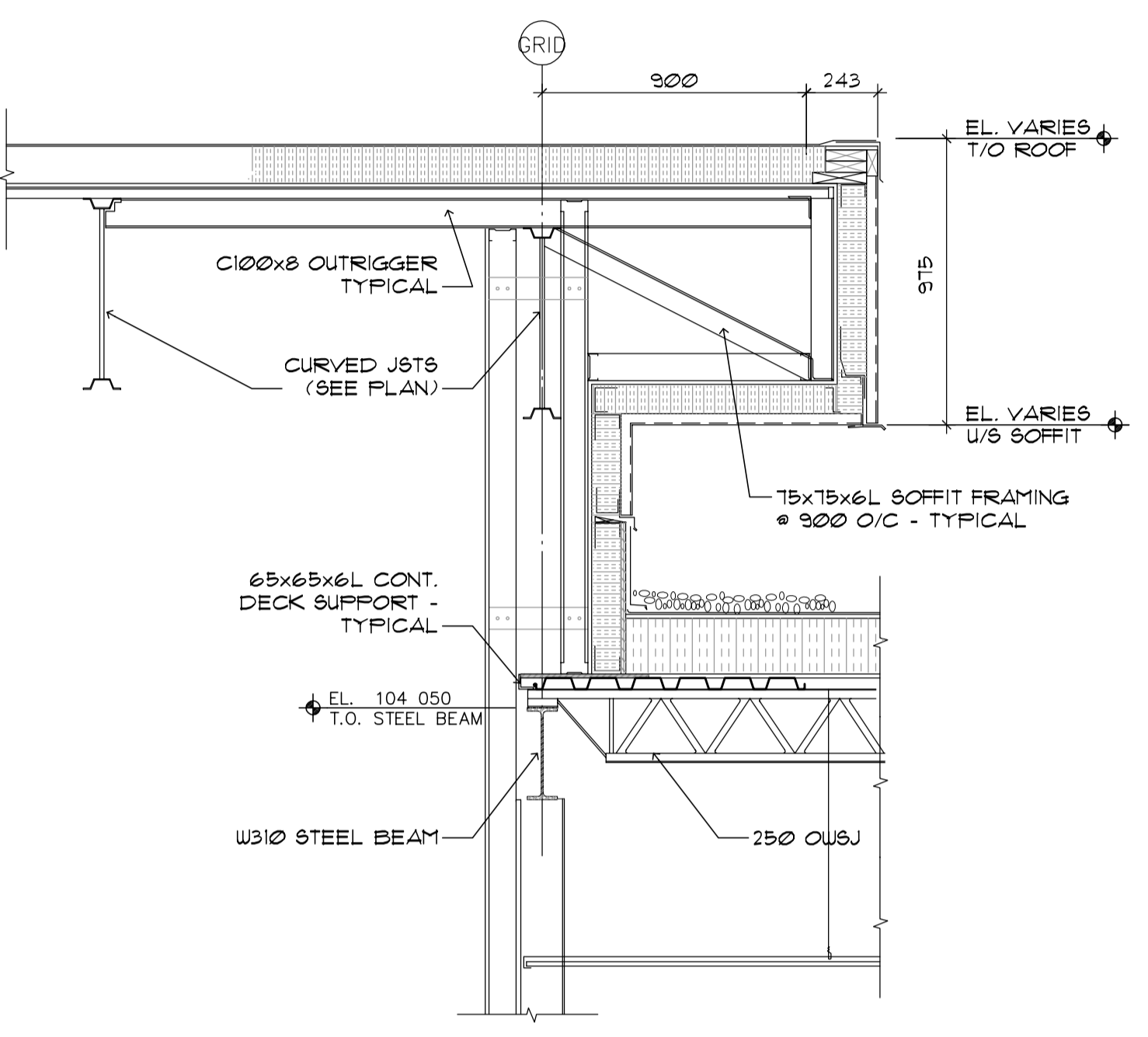
16 SECTION
 S2.2 SCALE: 1:20



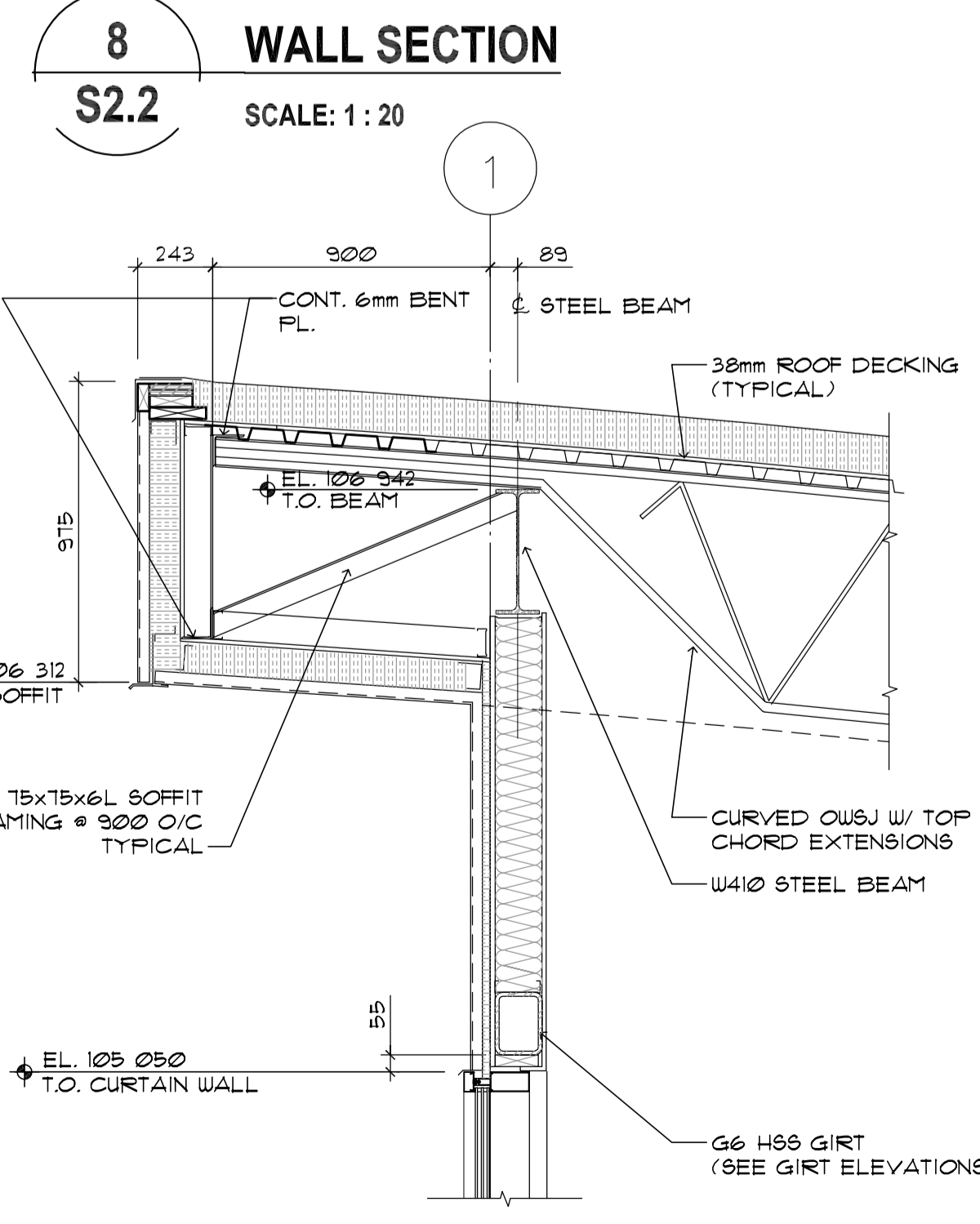
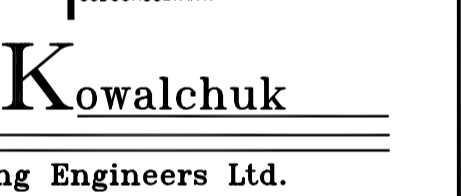
17 SECTION
 S2.2 SCALE: 1:20



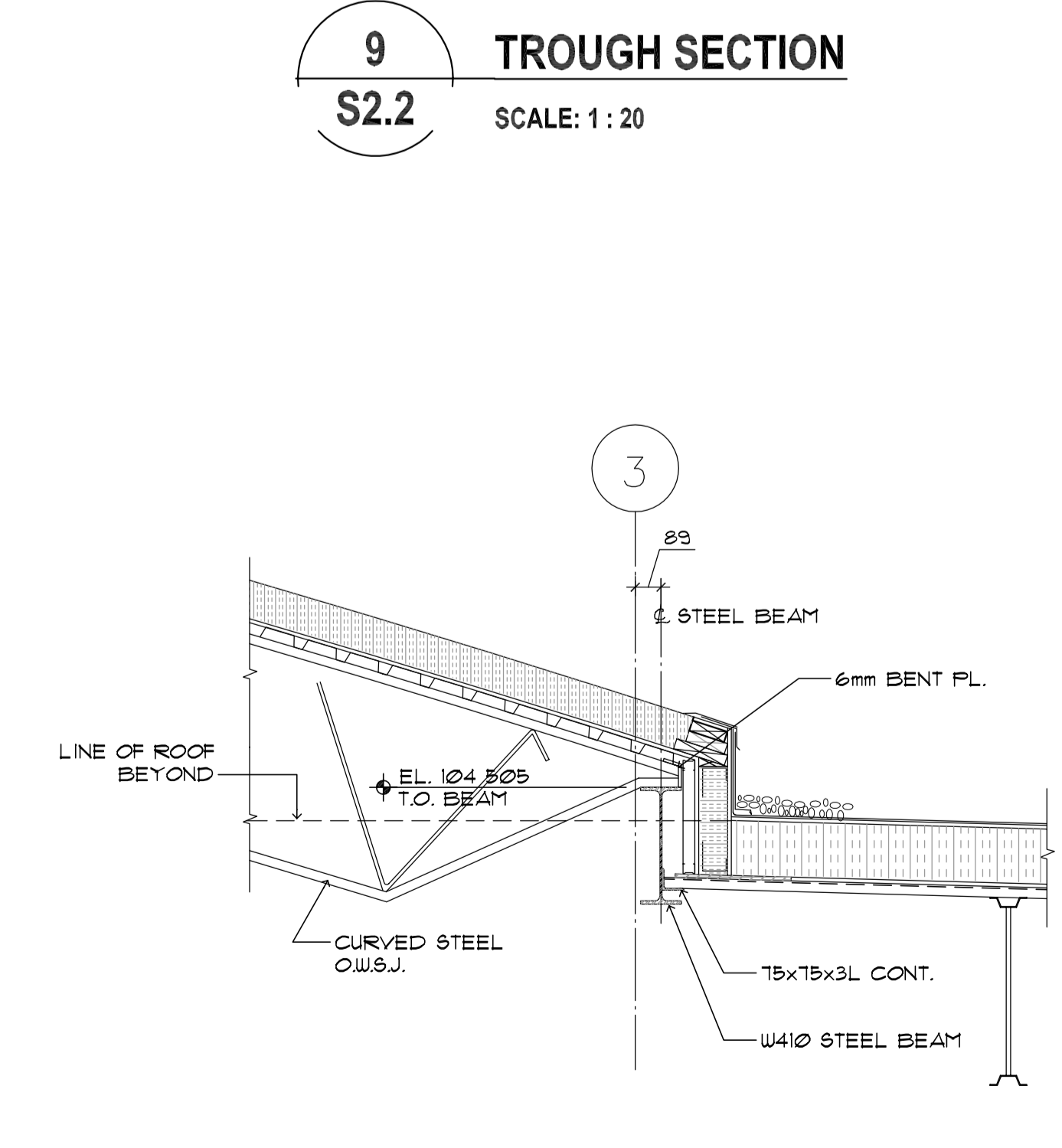
13 WALL SECTION
 S2.2 SCALE: 1:20



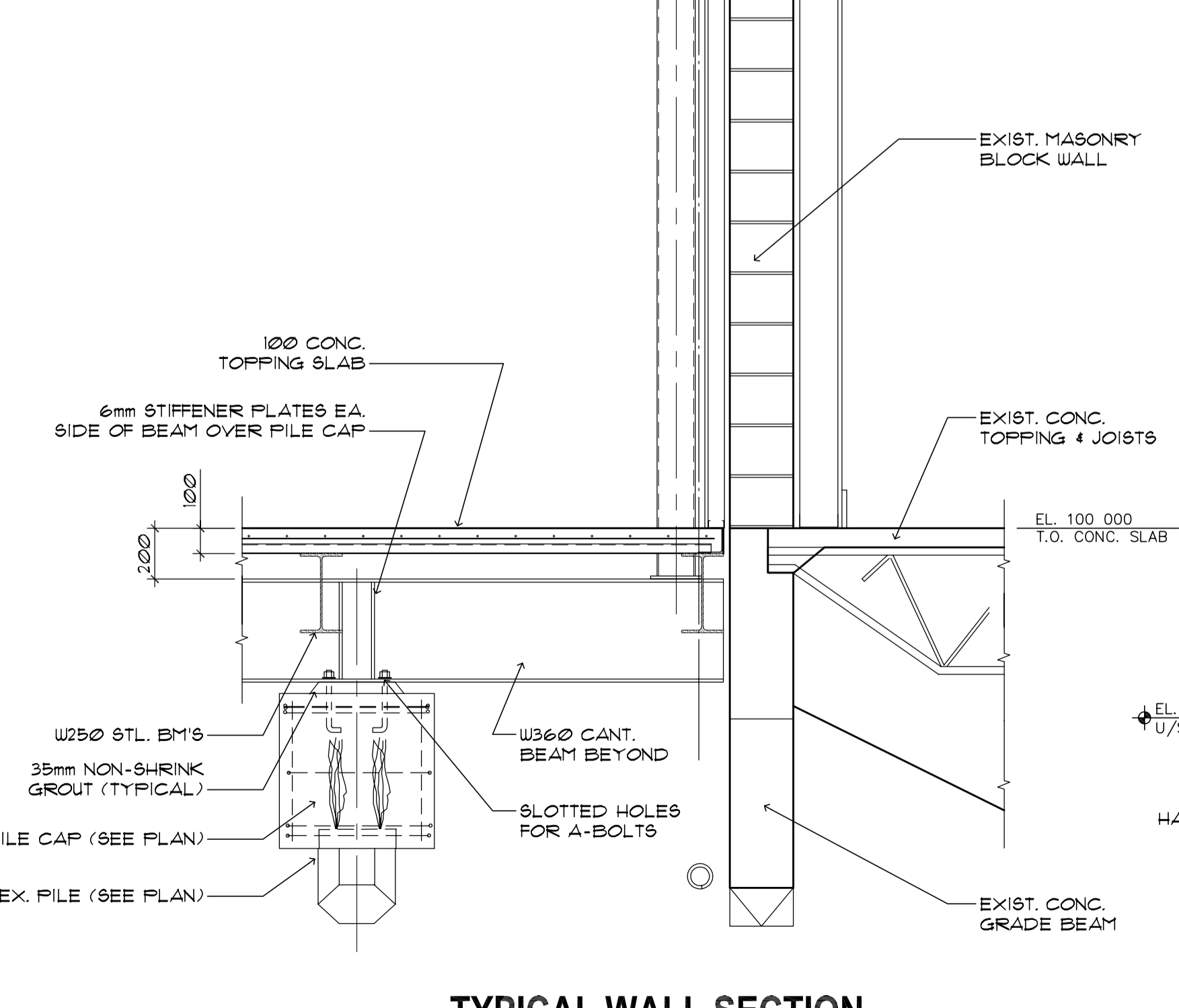
7 SIDE PANEL SKYLIGHT SECTION
 S2.2 SCALE: 1:20



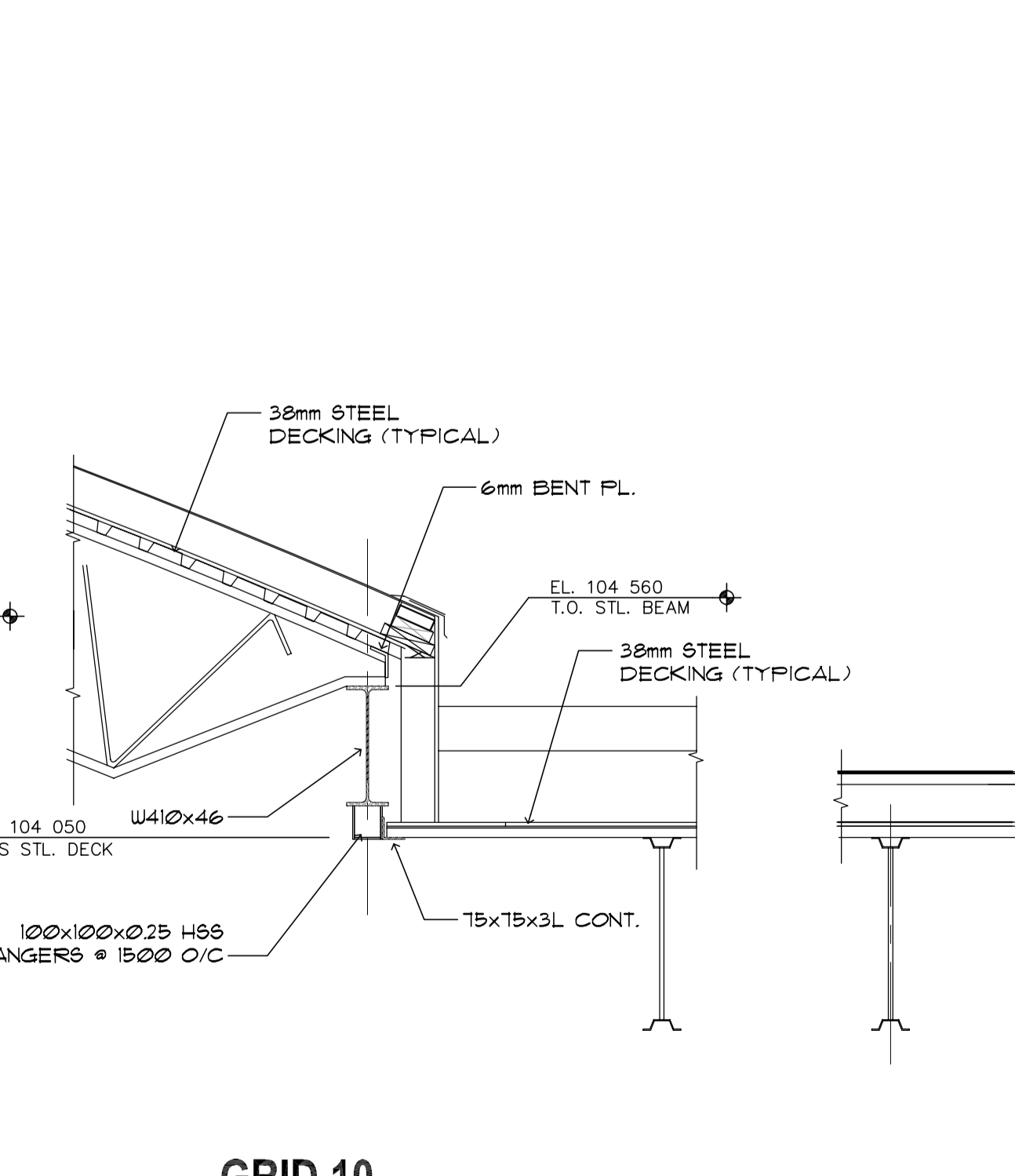
5 SOUTH ELEVATION (4 THUS) CURVED ROOF SECTION
 S2.2 SCALE: 1:20



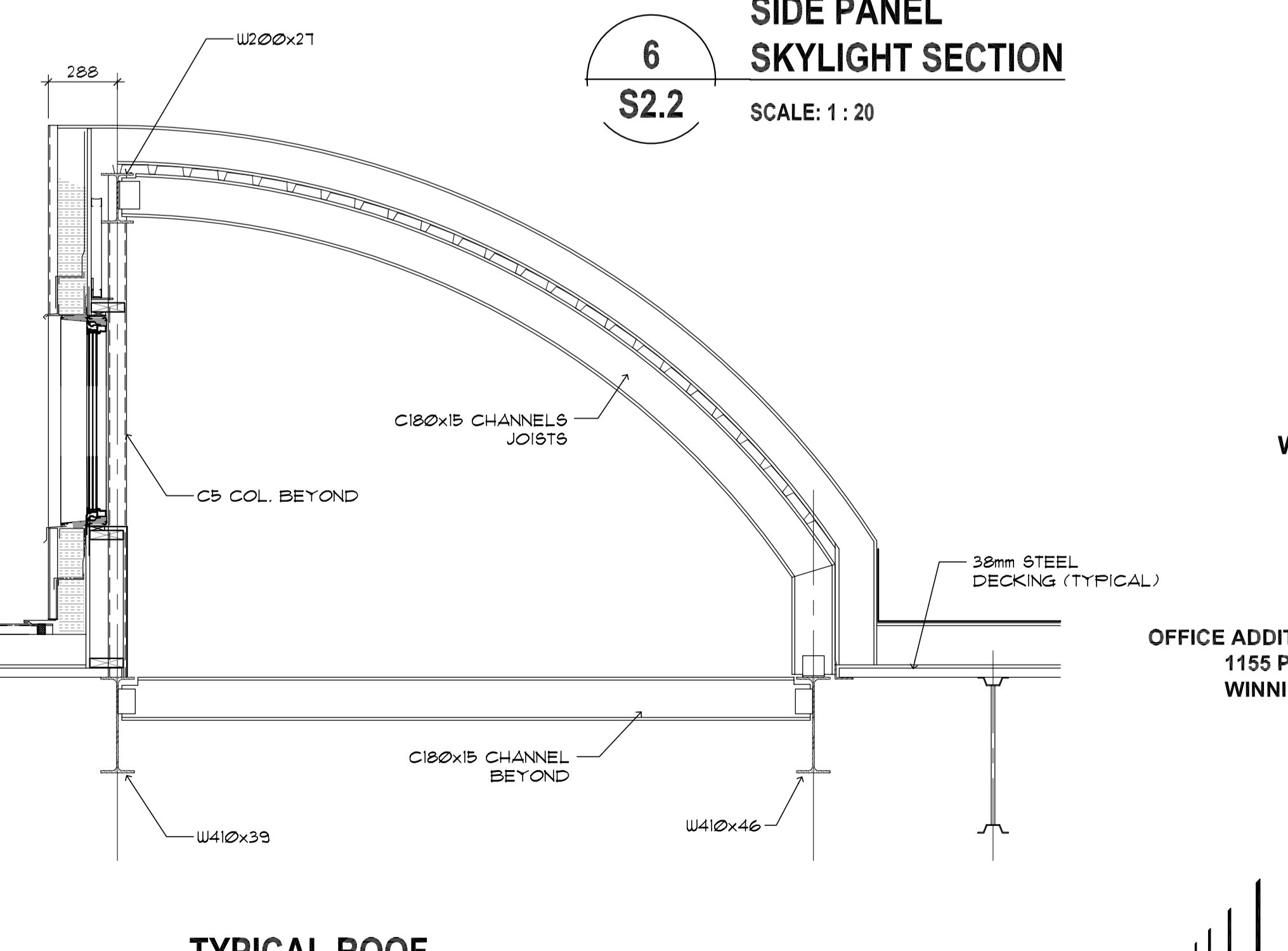
4 SOUTH ELEVATION (4 THUS) CURVED ROOF SECTION
 S2.2 SCALE: 1:20



3 TYPICAL WALL SECTION ALONG GRID LINE R
 S2.2 SCALE: 1:20



2 GRID 10 SKYLIGHT SECTION
 S2.2 SCALE: 1:20



6 TYPICAL ROOF SKYLIGHT SECTION
 S2.2 SCALE: 1:20

Drawings and specifications, as instruments of service are the property of the architect. The copyright in the same being reserved to him. No reproduction may be made without the permission of the architect and when made must bear his name. All prints to be returned to the architect. The contractor shall verify dimensions and data noted herein with conditions on the site and is held responsible for reporting any discrepancies to the architect for adjustment. This drawing shall not be used for building purposes until counterchecked by:

THE CITY OF WINNIPEG

OFFICE ADDITION AND RENOVATION
 1155 PACIFIC AVENUE
 WINNIPEG, MANITOBA



SECTION AND DETAILS
 S2.2