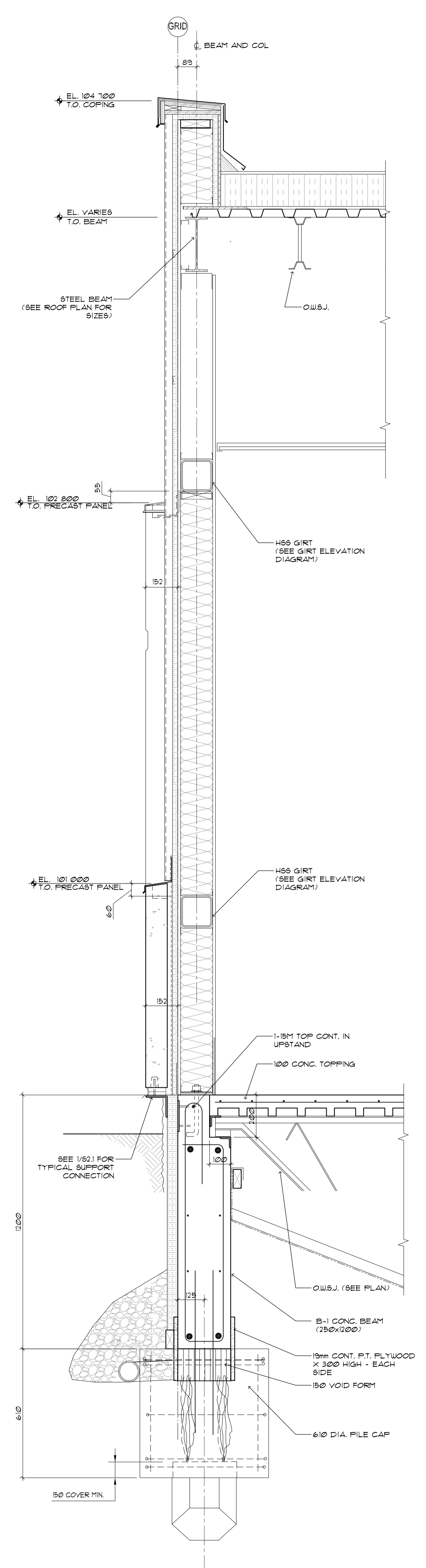
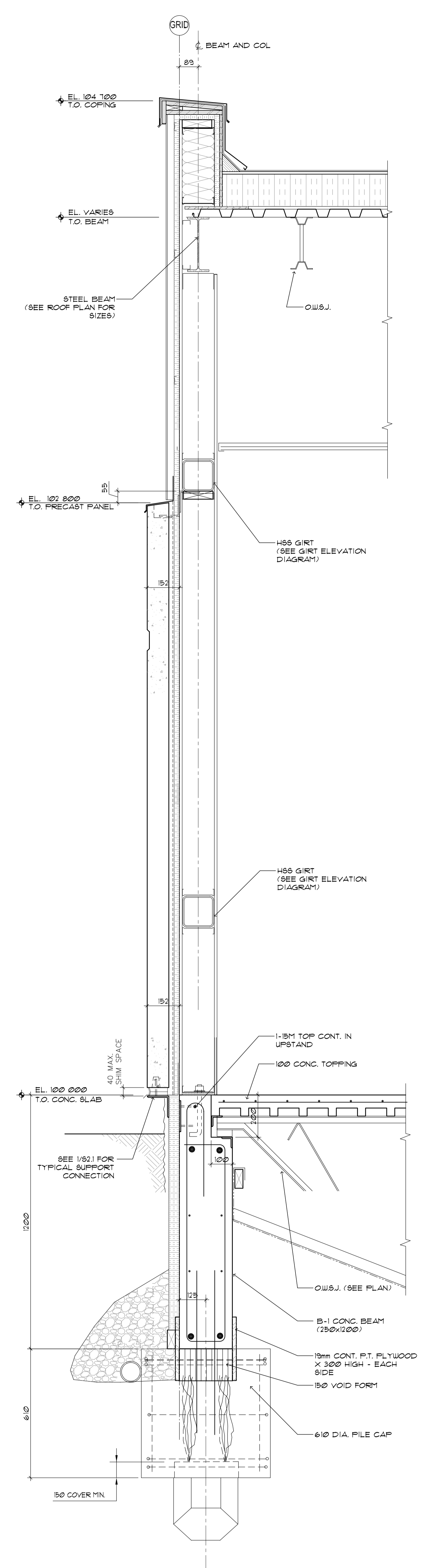


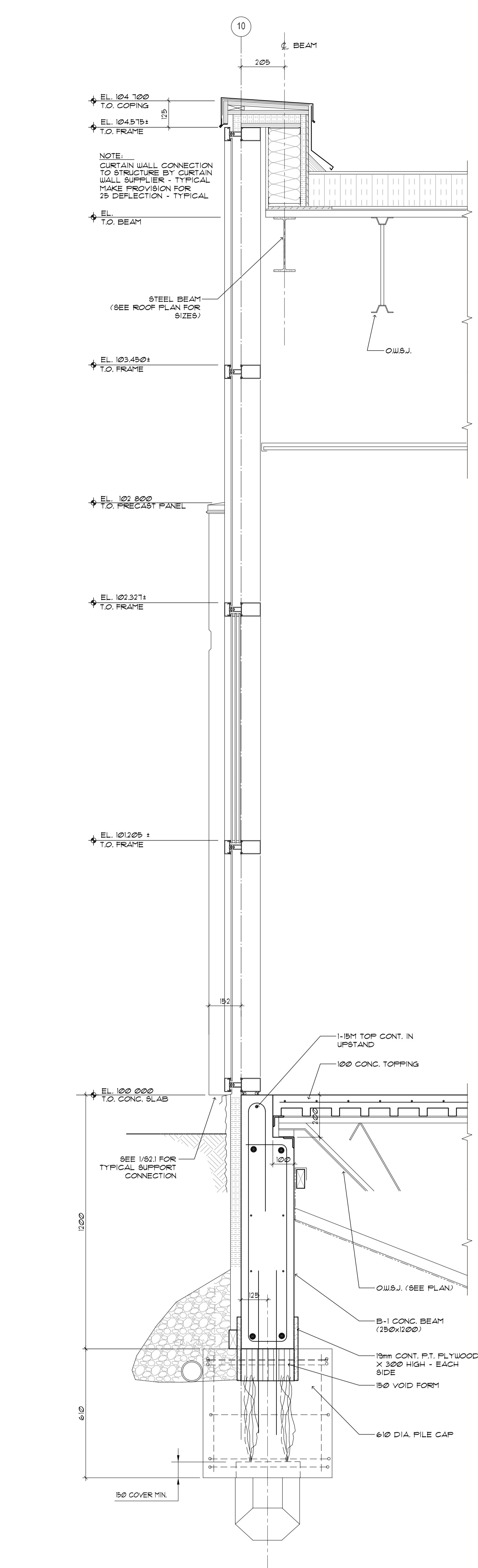
**1**  
**S2.1**  
**TYPICAL WALL SECTION AT PUNCHED WINDOWS**  
 SCALE: 1:10



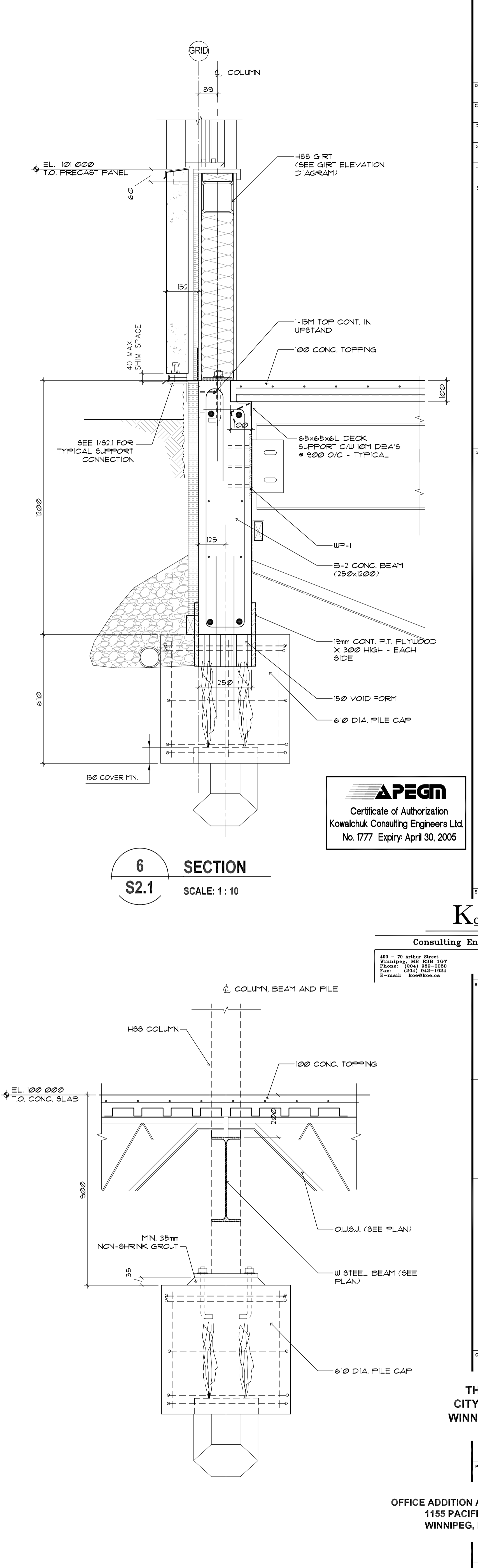
**2**  
**S2.1**  
**WALL SECTION**  
 SCALE: 1:10



**3**  
**S2.1**  
**WALL SECTION**  
 SCALE: 1:10



**4**  
**S2.1**  
**WALL SECTION**  
 SCALE: 1:10



**5**  
**S2.1**  
**TYPICAL INTERIOR COLUMN SECTION**  
 SCALE: 1:10



**Kowalchuk**  
 Consulting Engineers Ltd.

405 - 79 Arden Street  
 Winnipeg, MB R2L 2S7  
 Phone: (204) 942-1000  
 Fax: (204) 942-1004  
 Website: www.kowalchuk.ca

Drawings and specifications, as instruments of service are the property of the architect. The copyright in the same being reserved to him. No reproduction may be made without the permission of the architect and when made must bear his name. All prints to be returned to the architect. The contractor shall verify dimensions and data noted herein with conditions on the site and is held responsible for reporting any discrepancies to the architect for adjustment. This drawing shall not be used for building purposes until countersigned by:

THE CITY OF WINNIPEG

OFFICE ADDITION AND RENOVATION  
 1155 PACIFIC AVENUE  
 WINNIPEG, MANITOBA

FRIESEN TOKAR ARCHITECTS

WALL SECTIONS AND DETAILS

**S2.1**