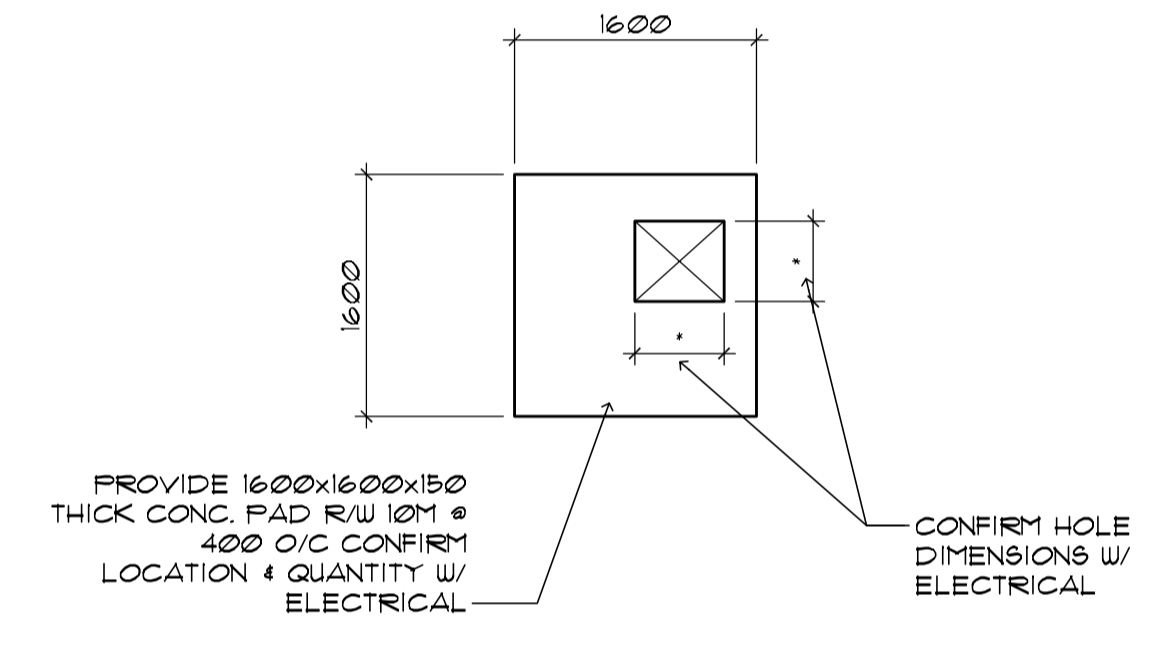
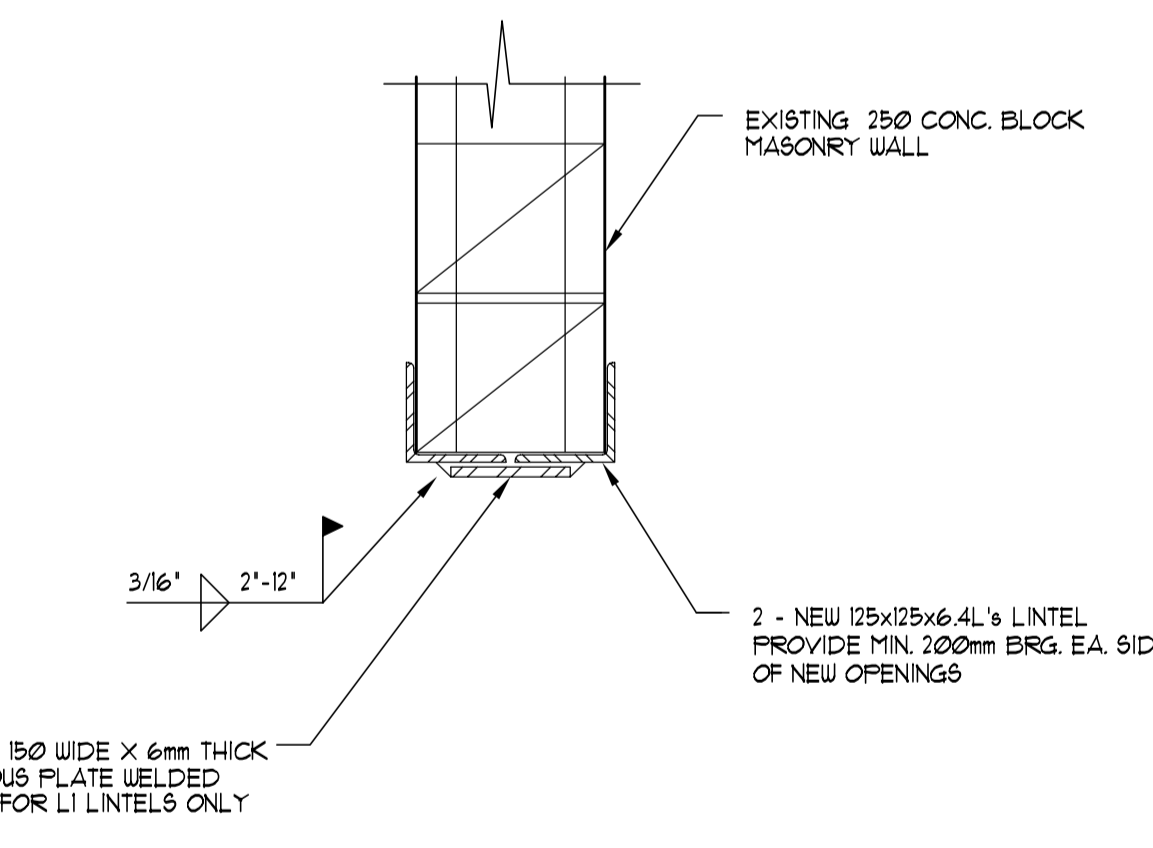


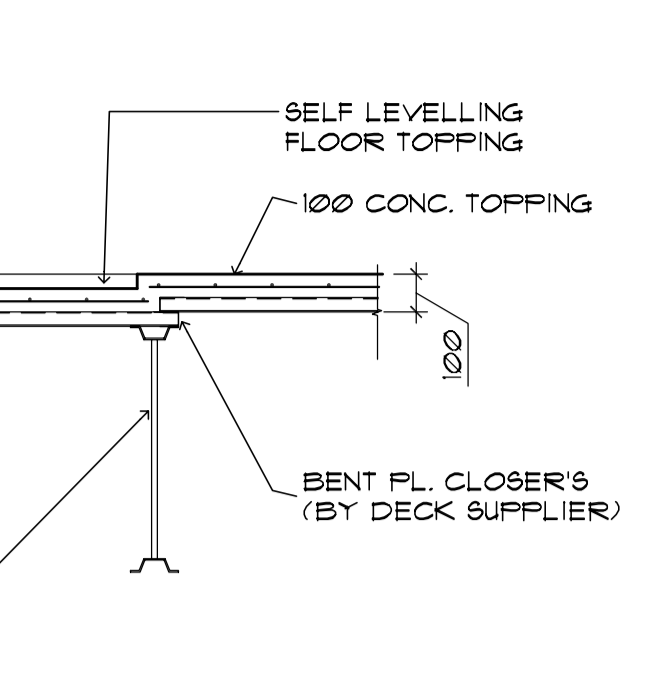
PARTIAL EXISTING BUILDING FLOOR FRAMING PLAN
 SCALE: 1:10



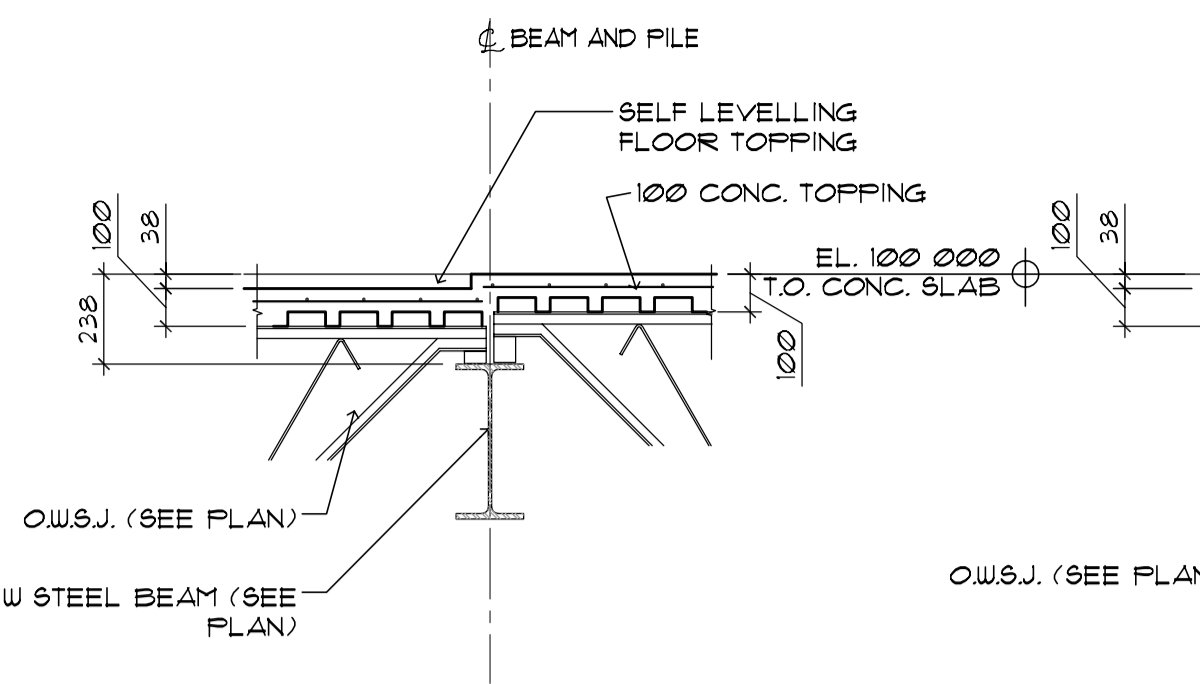
TRANSFORMER PAD LAYOUT
 SCALE: 1:50



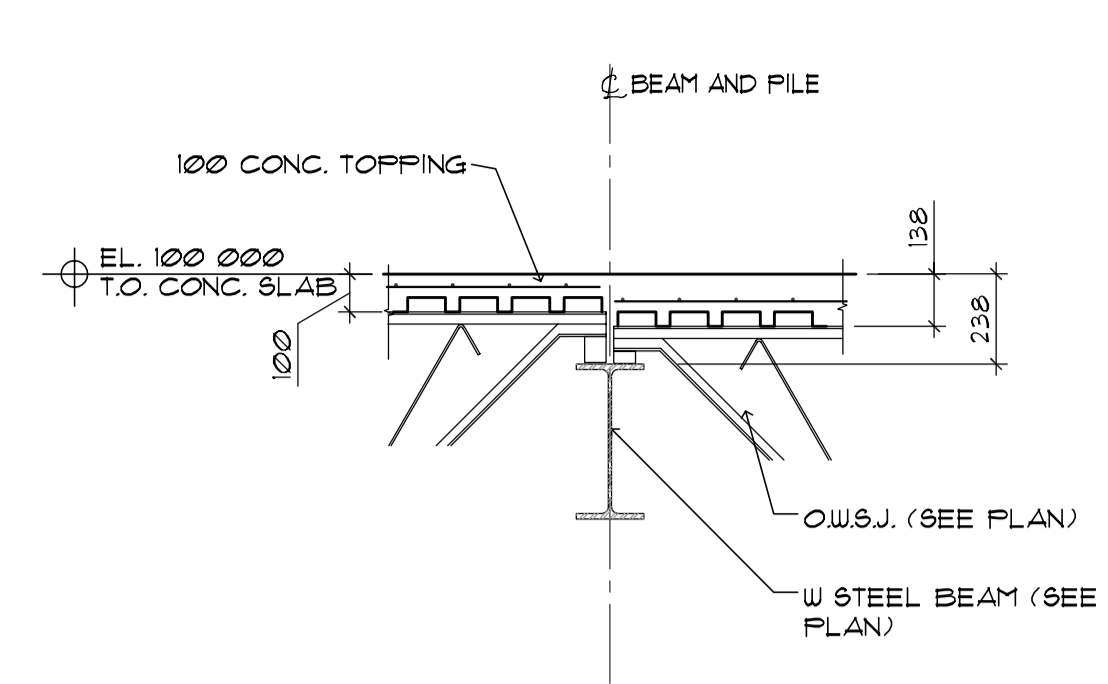
5 LINTEL DETAIL
 S1.2 SCALE: 1:10



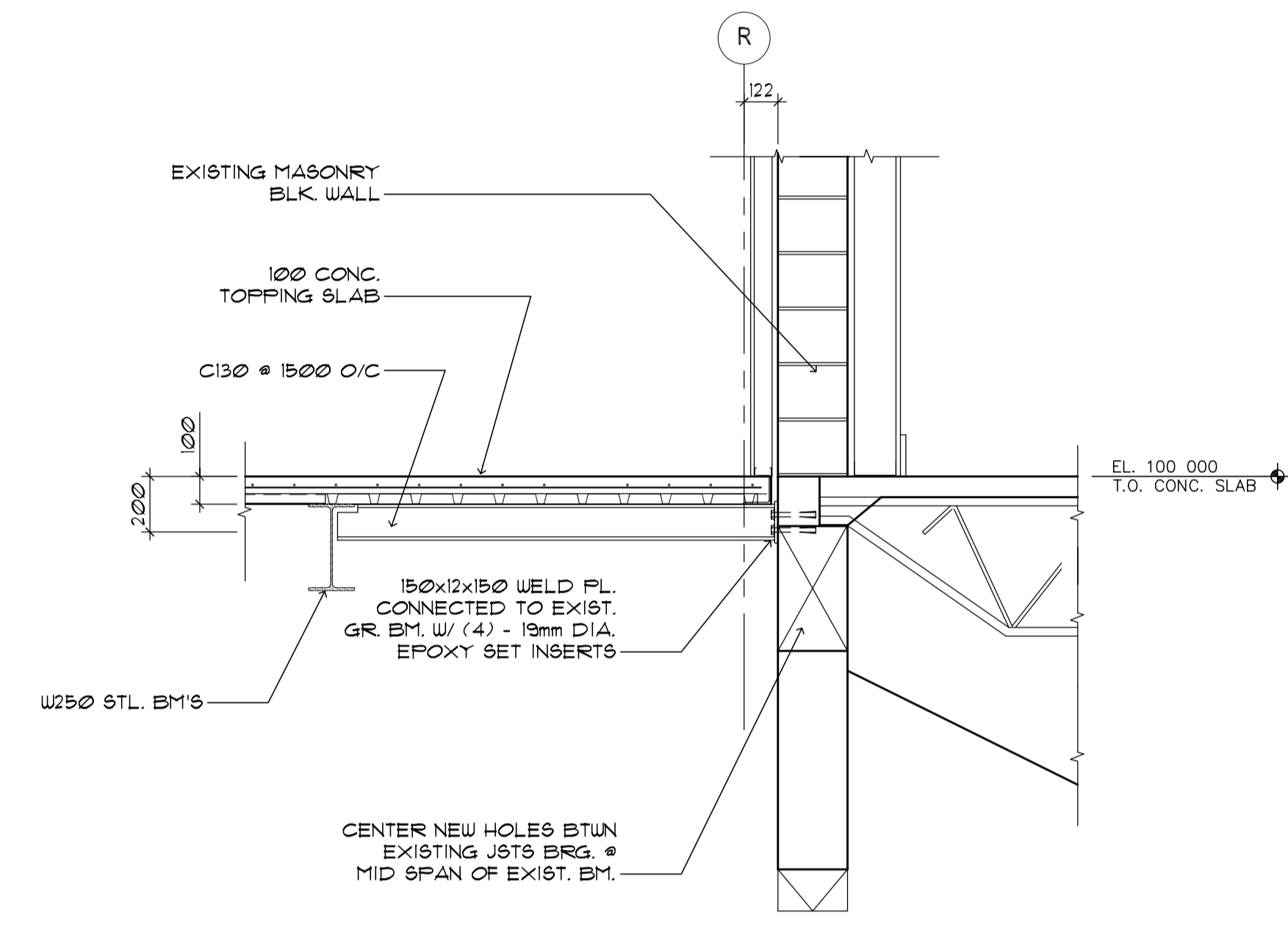
3 DETAIL
 S1.2 SCALE: 1:20



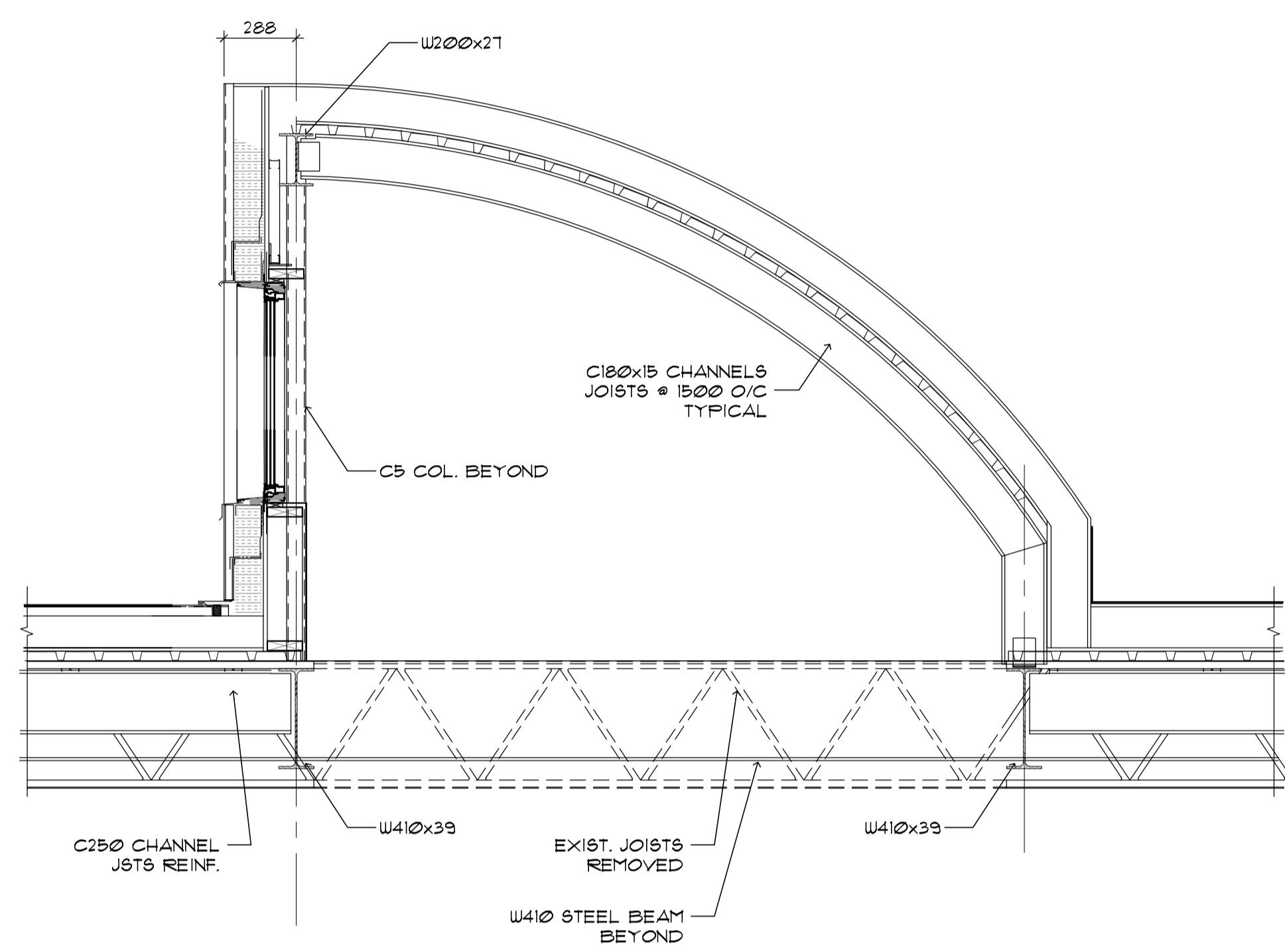
2 DETAIL
 S1.2 SCALE: 1:20



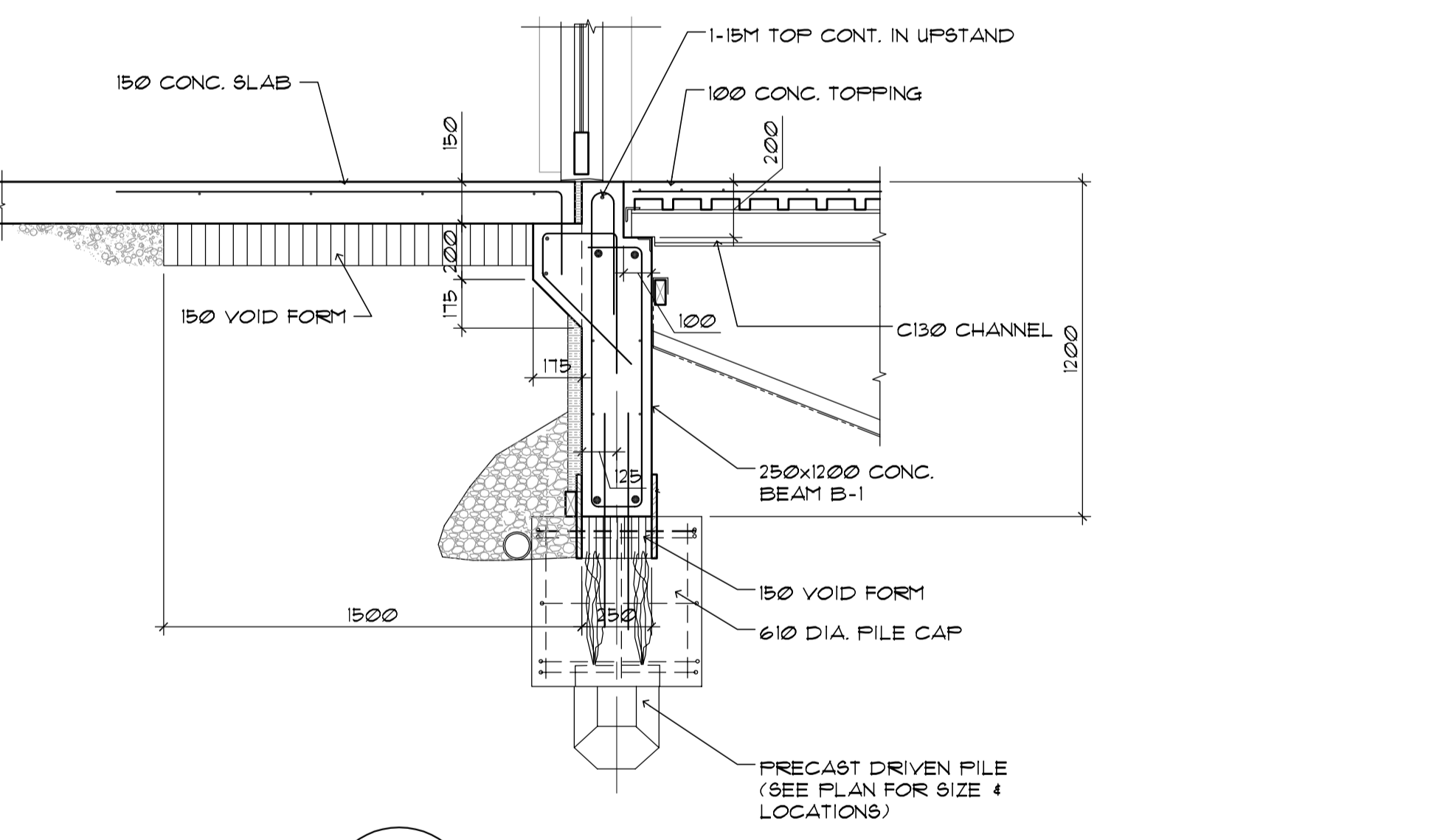
1 DETAIL
 S1.2 SCALE: 1:20



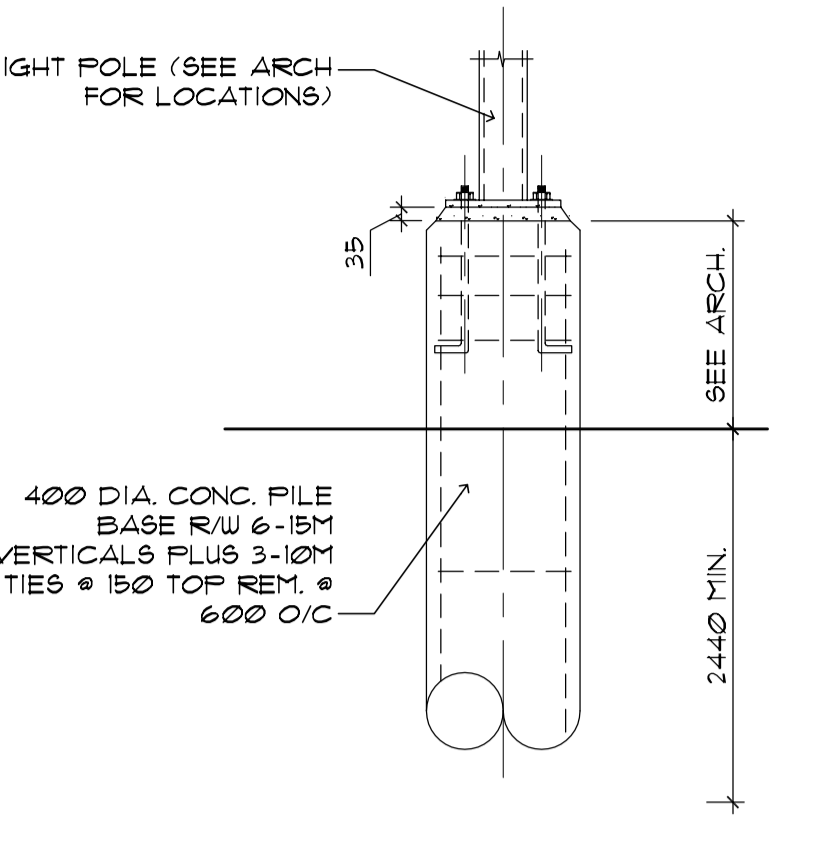
7 SECTION
 S1.2 SCALE: 1:20



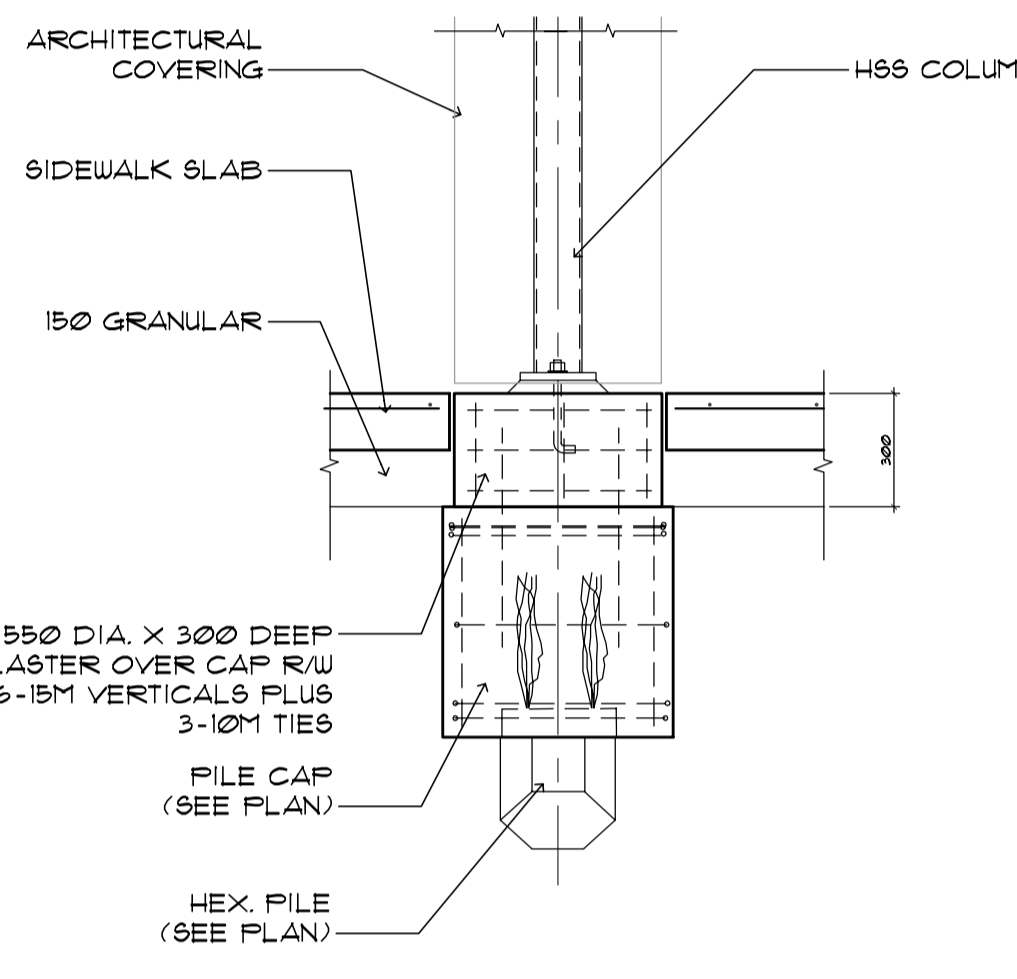
4 EXIST. ROOF SKYLIGHT SECTION
 S1.2 SCALE: 1:20



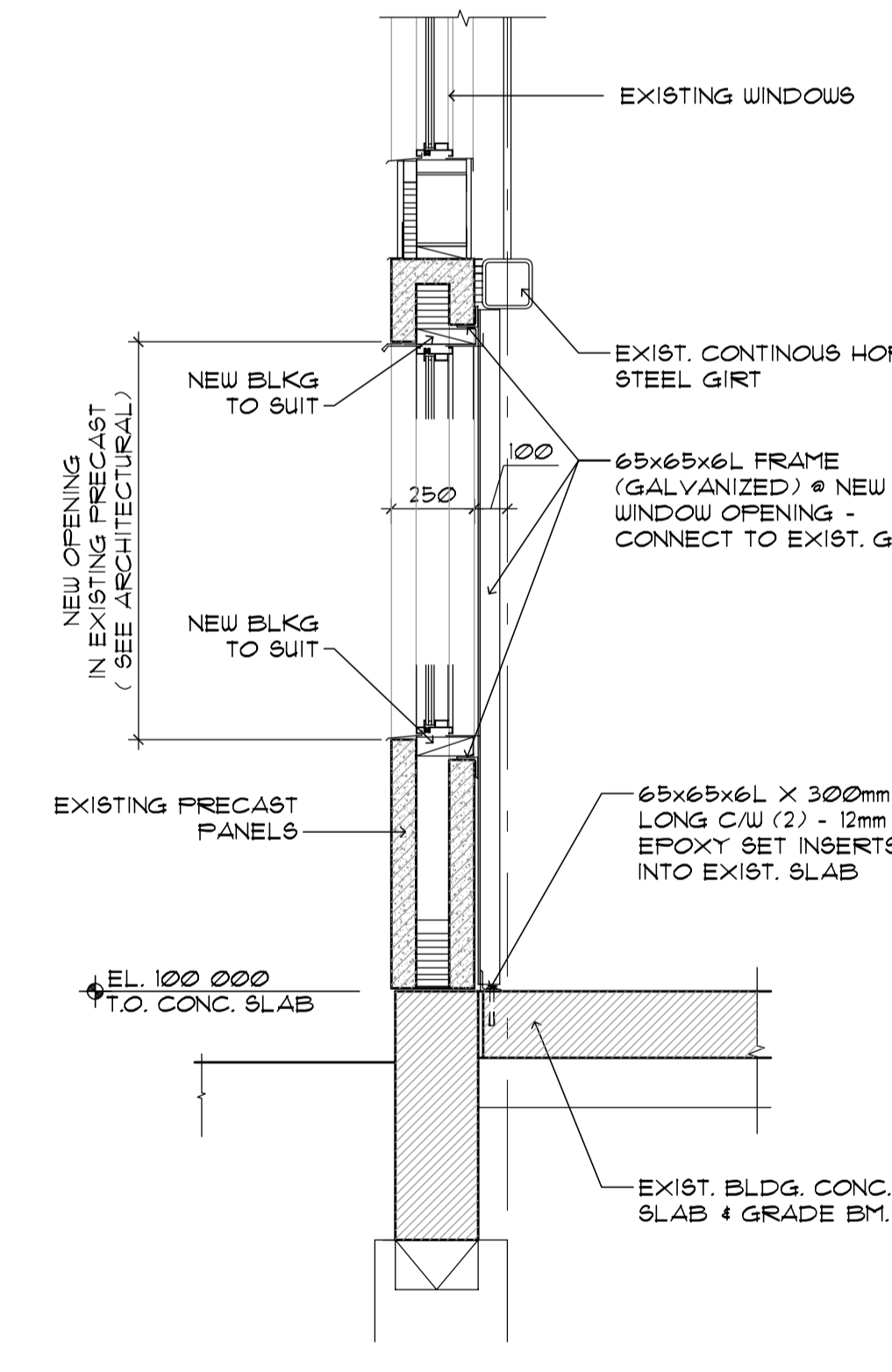
8 SECTION
 S1.2 SCALE: 1:20



A POLE BASE DETAIL
S1.2 SCALE: 1:20



6 SECTION
 S1.2 SCALE: 1:20



9 EXIST. BLDG. SECTION
 S1.2 SCALE: 1:20