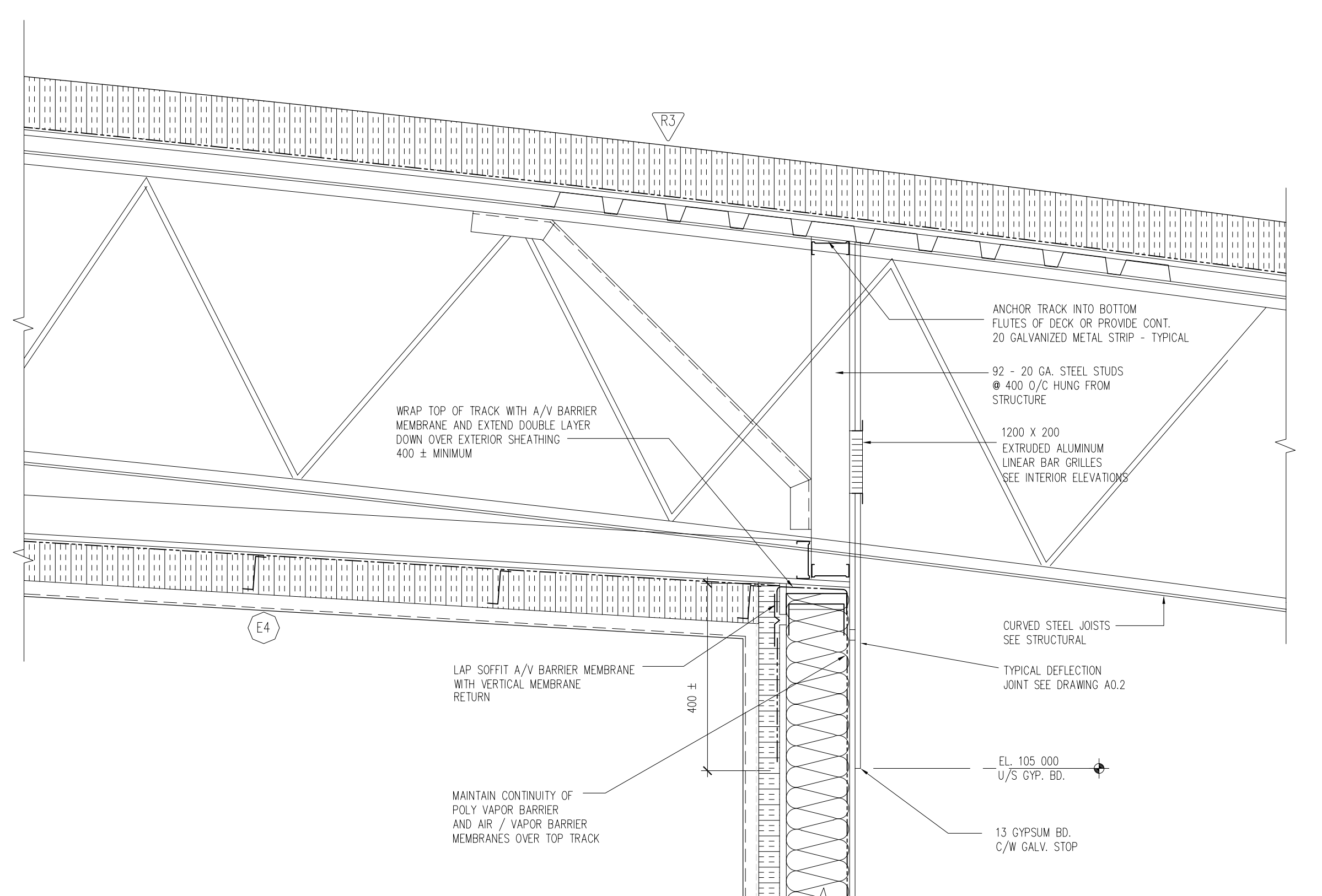
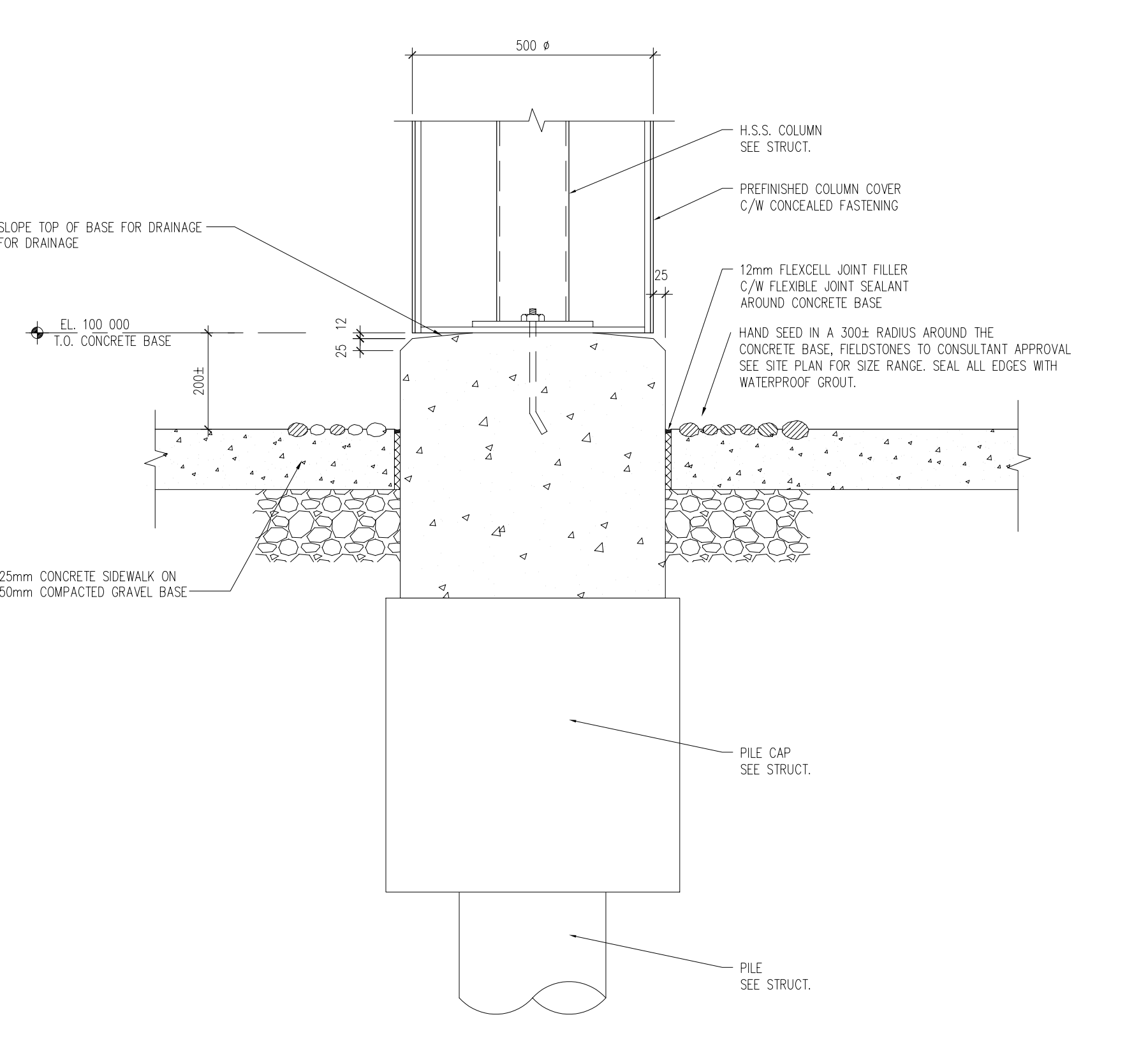


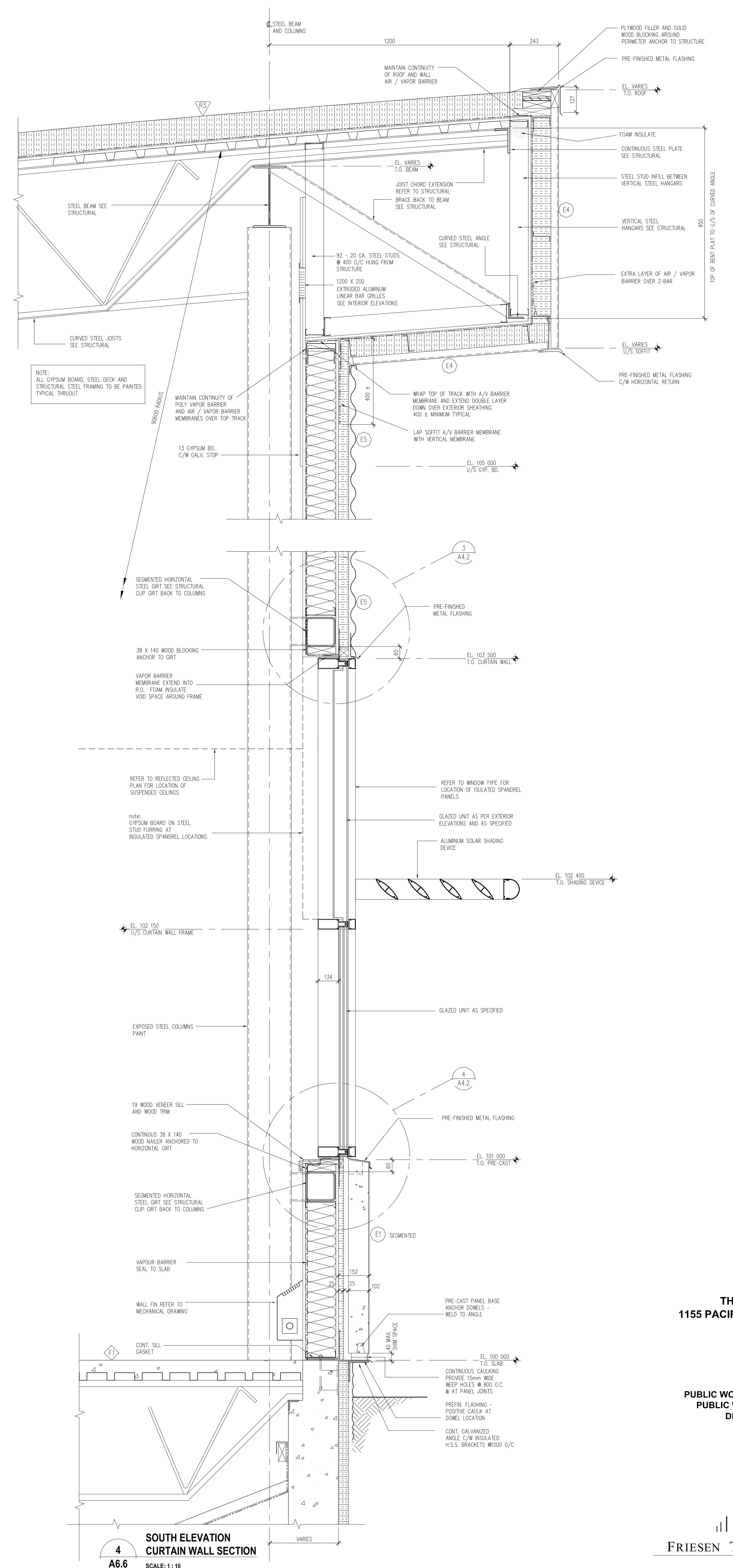
**1**  
**A6.6**  
**SOUTH ELEVATION CANOPY SECTION**  
 SCALE: 1:10



**2**  
**A6.6**  
**CURVED ROOF SECTION**  
 SCALE: 1:10



**3**  
**A6.6**  
**SOUTH ELEVATION SECTION AT MAIN ENTRANCE**  
 SCALE: 1:10



**4**  
**A6.6**  
**SOUTH ELEVATION CURTAIN WALL SECTION**  
 SCALE: 1:10

**5**  
**A6.6**  
**CONCRETE BASE AT EXTERIOR CANOPY COLUMN**  
 SCALE: 1:10