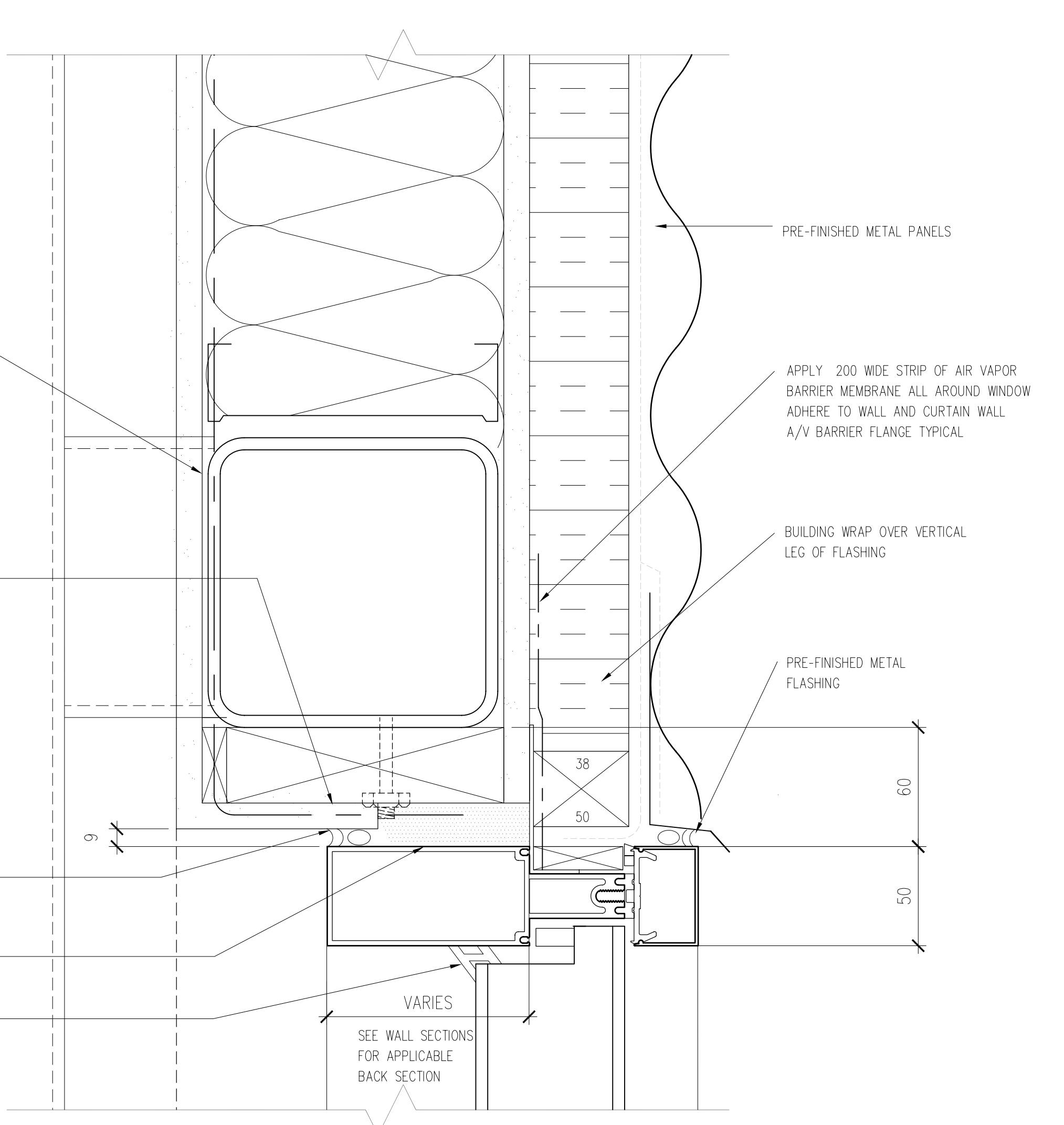
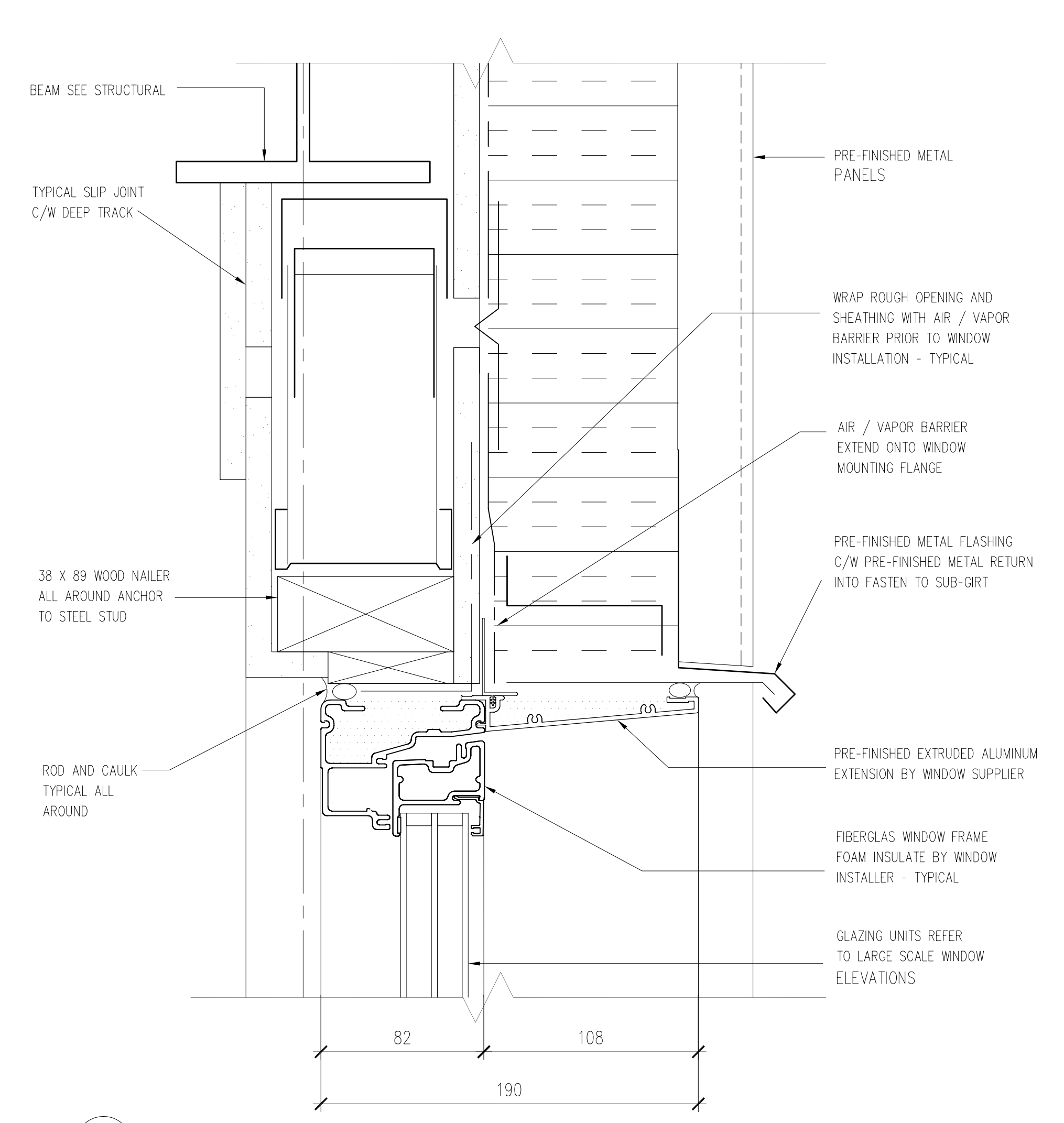


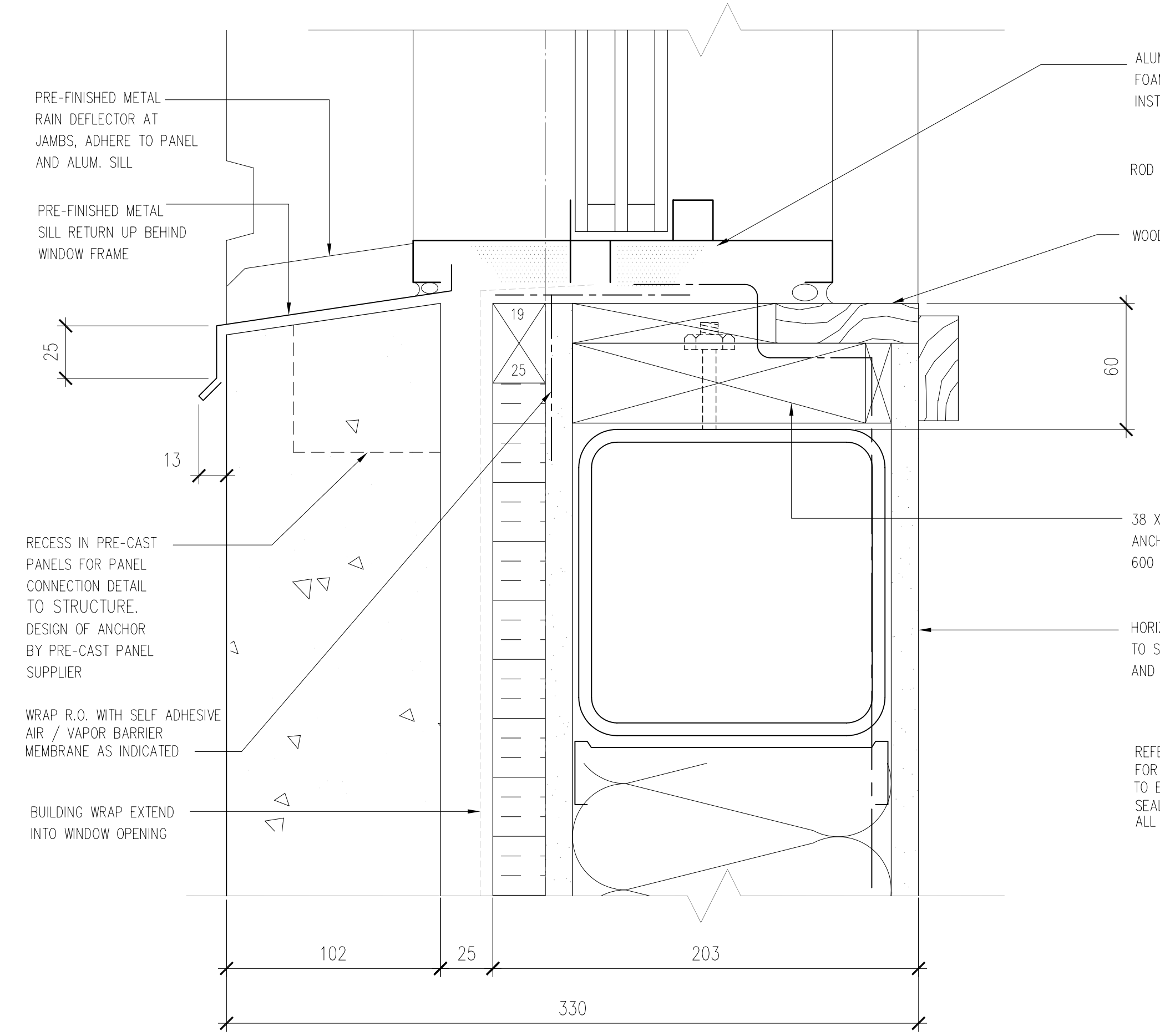
1 ALUMINUM WINDOW HEAD DETAIL
 A4.2 SCALE 1:2



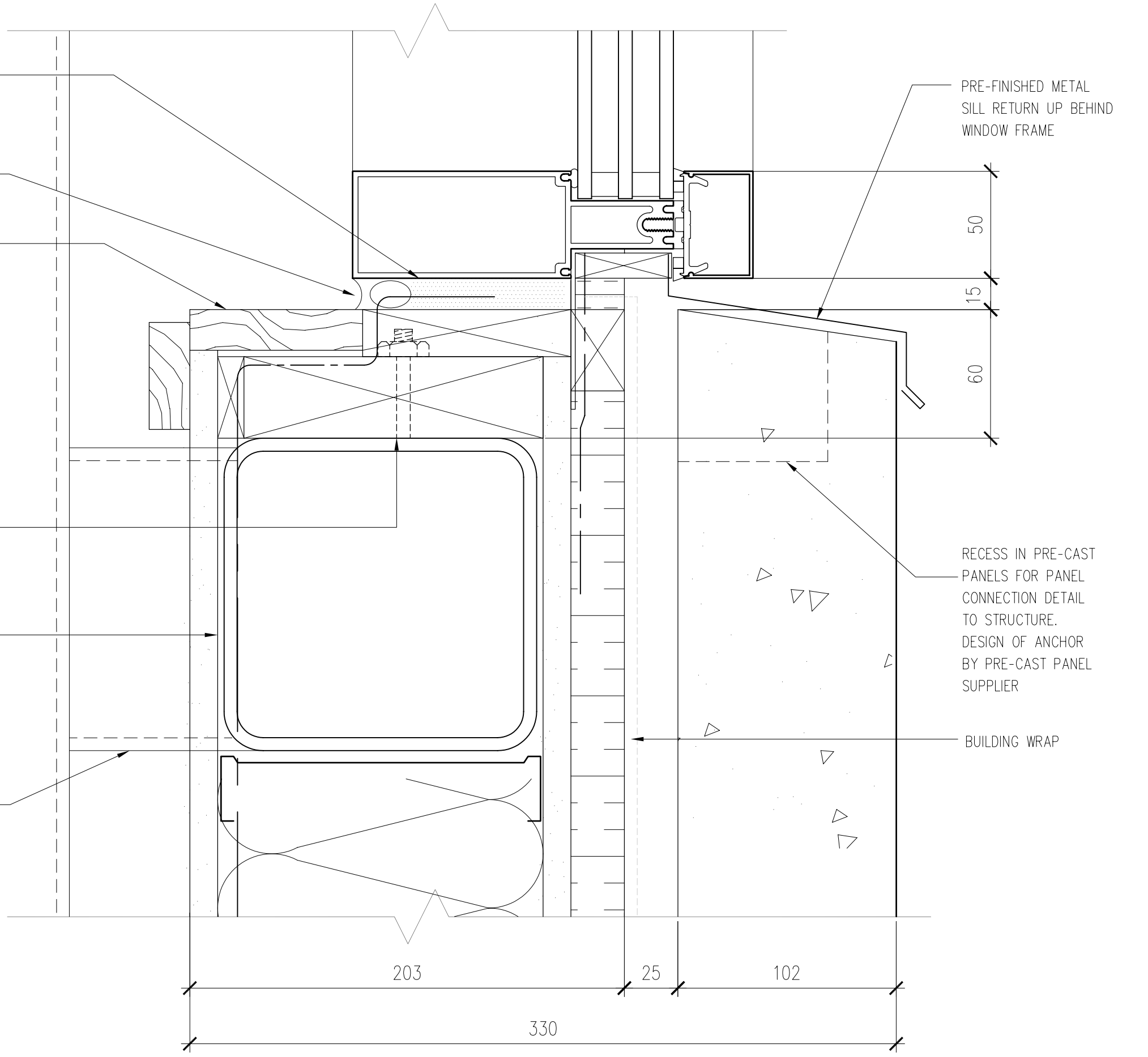
3 ALUMINUM CURTAIN WALL HEAD DETAIL
 A4.2 SCALE 1:2



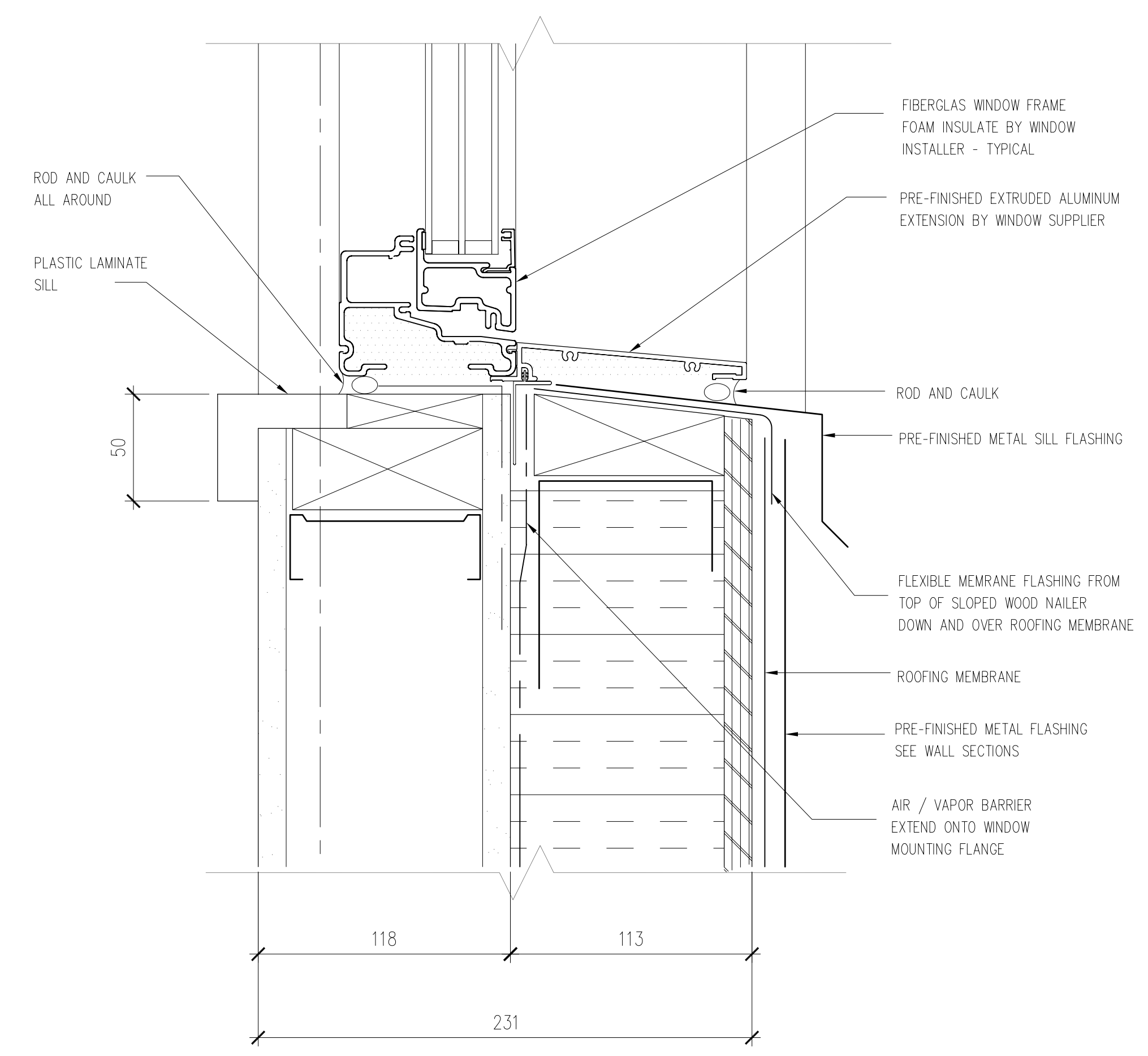
5 CLERESTORY FIBERGLASS HEAD DETAIL
 A4.2 SCALE 1:2



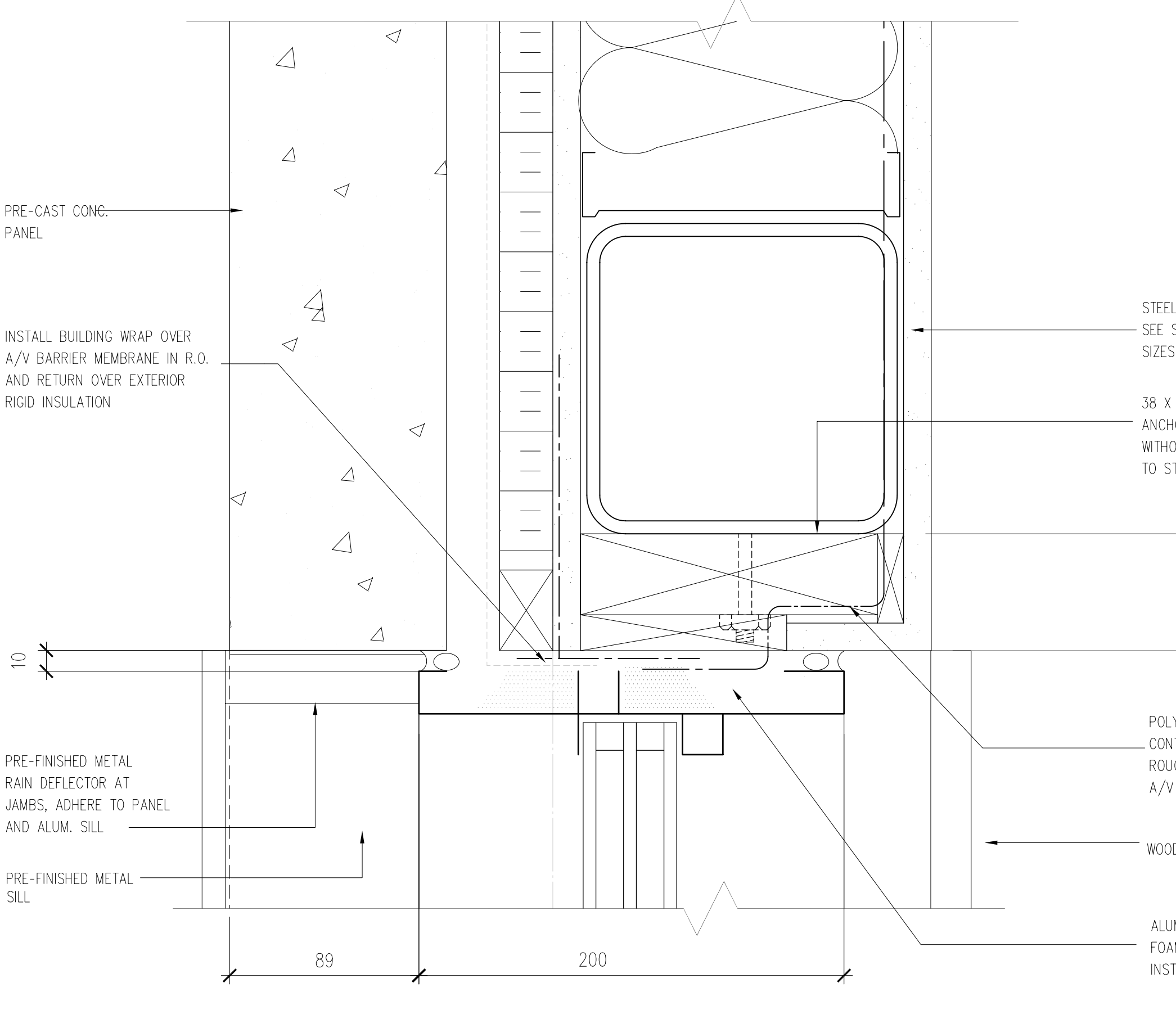
2 ALUMINUM WINDOW SILL DETAIL
 A4.2 SCALE 1:2



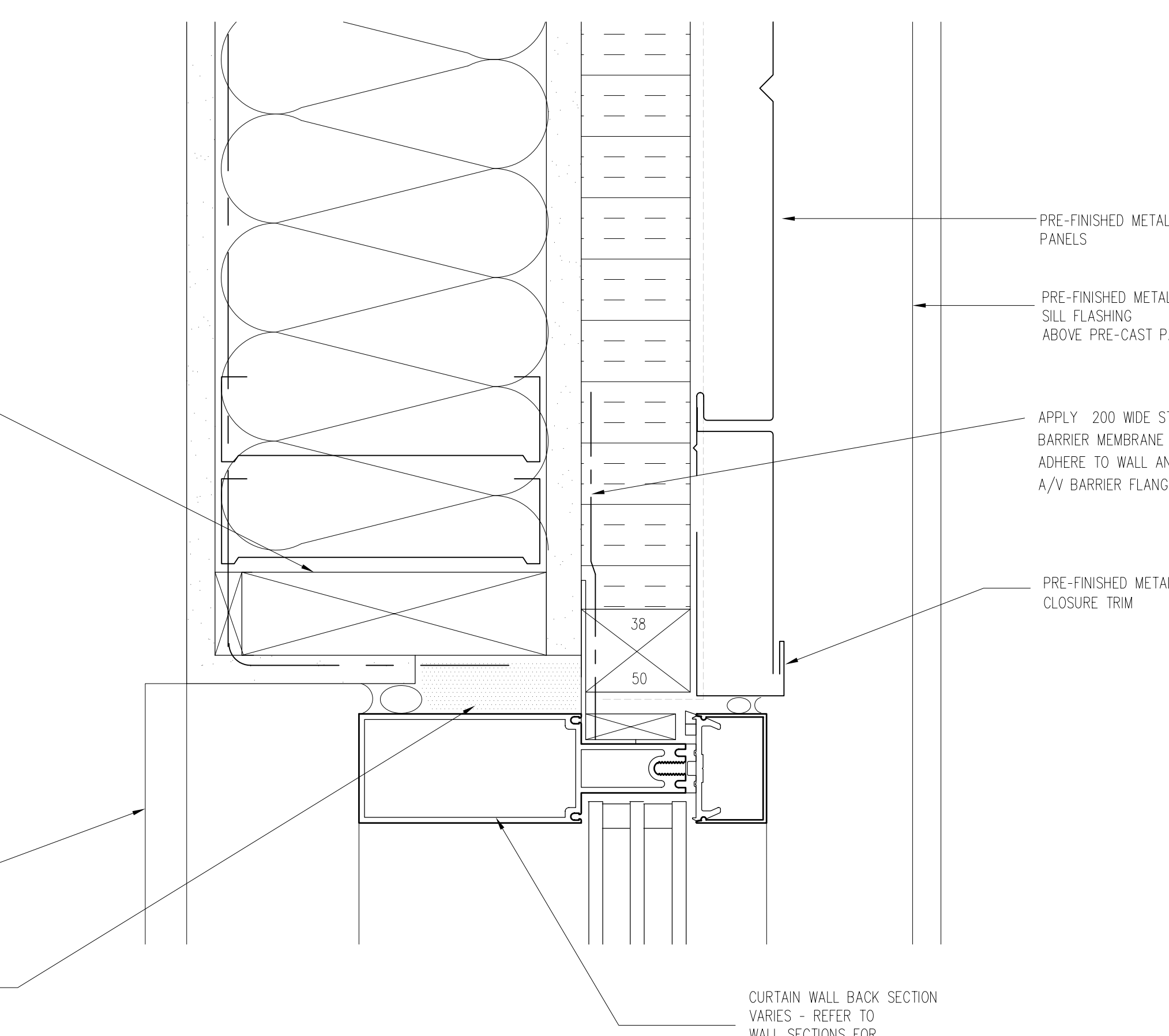
4 ALUMINUM CURTAIN WALL SILL DETAIL
 A4.2 SCALE 1:2



6 CLERESTORY FIBERGLAS SILL DETAIL
 A4.2 SCALE 1:2



7 ALUMINUM WINDOW JAMB AT PRECAST
 A4.2 SCALE 1:2



8 ALUMINUM CURTAIN WALL JAMB DETAIL
 A4.2 SCALE 1:2

Drawings and specifications, as instruments of service are the property of the architect. The copyright in the same being reserved to him. No reproduction may be made without the permission of the architect and when made, must bear his name, address and be referred to the architect.
 The contractor shall verify dimensions and shall retain them with confidence on the job and is held responsible for reporting any discrepancy to the architect for adjustment.
 This drawing shall not be used for building purposes until counterchecked by: