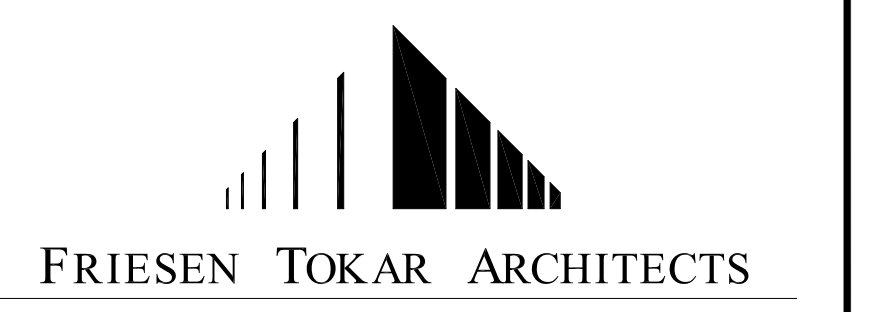


- REVISIONS:
- ISSUED FOR RFP REVIEW FEBRUARY 02, 2004
 - ISSUED FOR 75% REVIEW MARCH 04, 2004
 - ISSUED FOR RFP PRE-TENDER REVIEW APRIL 2004
 - ISSUED FOR TENDER MAY 14, 2004

Drawings and specifications, or instruments of service are the property of the architect. The copyright in the same being reserved to him. No reproduction may be made without the permission of the architect and when made, must bear his name. All plans to be returned to the architect. The contractor shall verify dimensions and data noted herein with conditions on the site and is held responsible for reporting any discrepancy in the architect for adjustment. This drawing shall not be used for building purposes until counterigned by

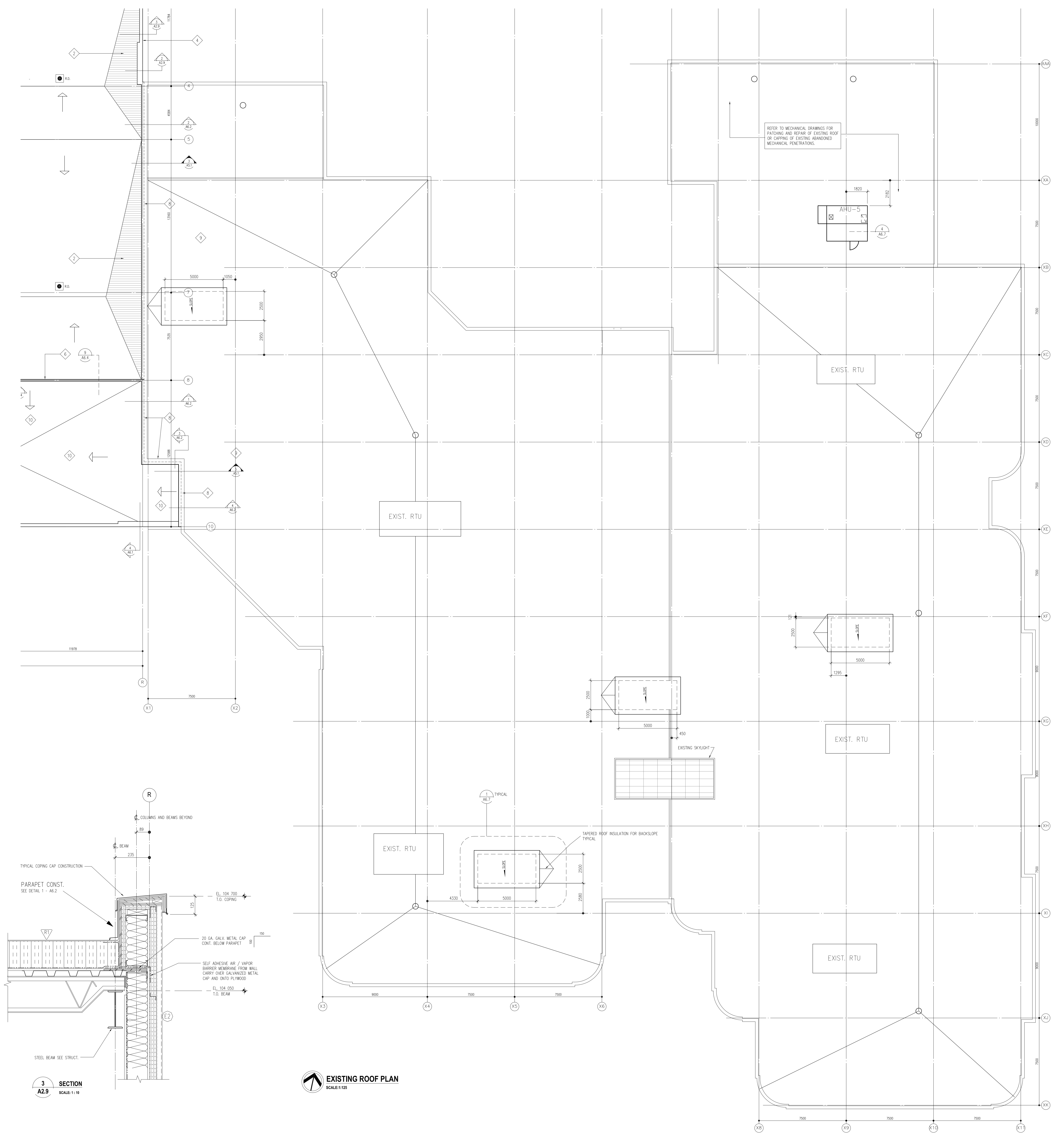
THE CITY OF WINNIPEG

OFFICE ADDITION AND RENOVATION
 1155 PACIFIC AVENUE
 WINNIPEG, MANITOBA

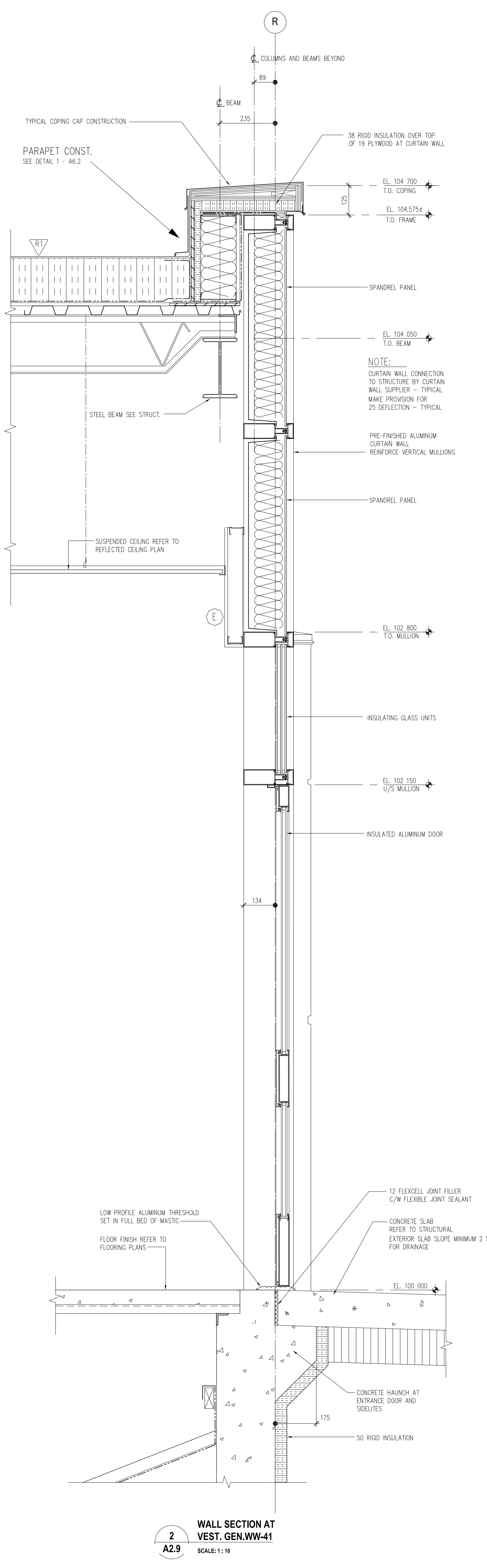


EXISTING ROOF PLAN

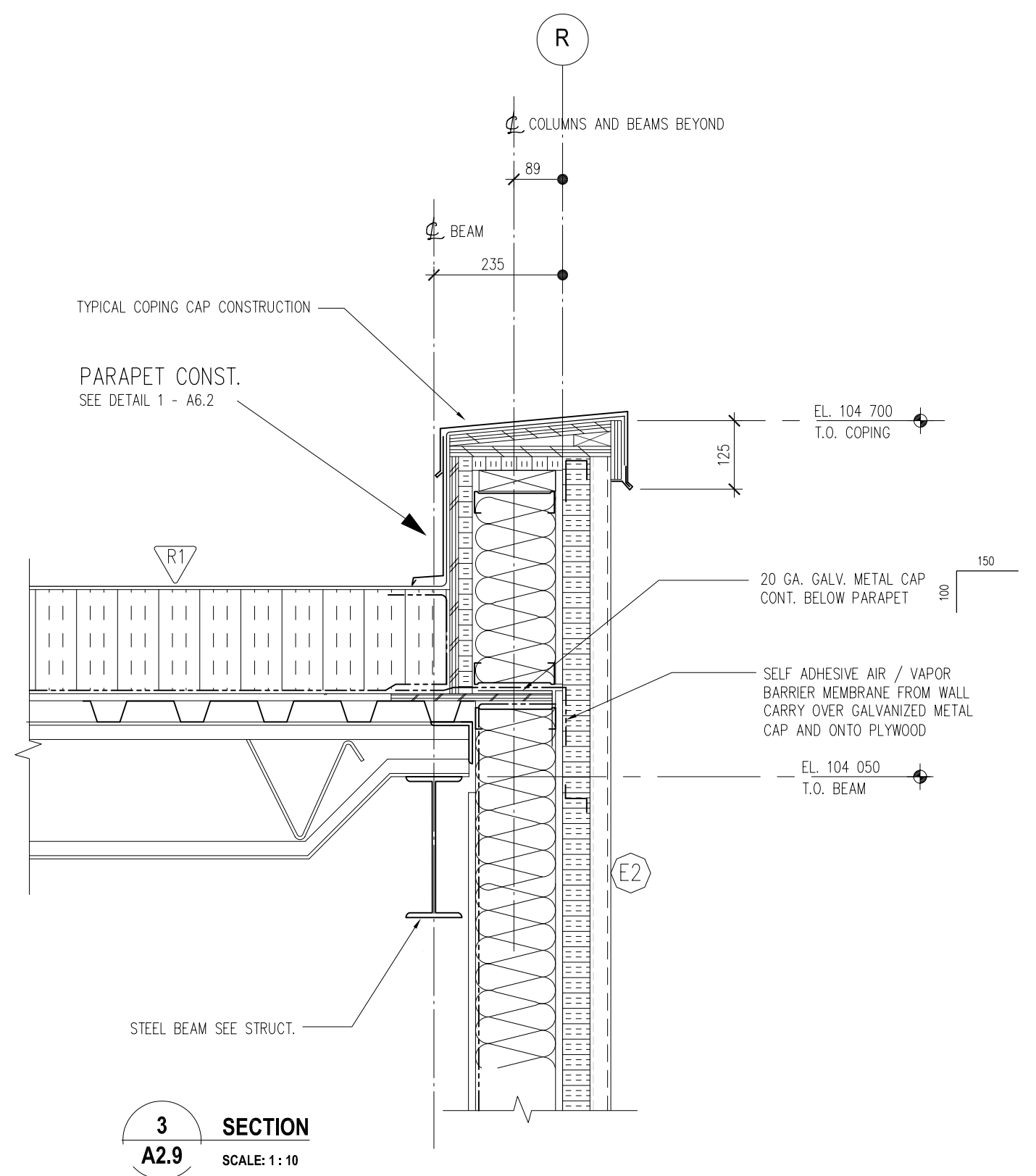
A2.9



EXISTING ROOF PLAN
 SCALE: 1:125



2 WALL SECTION AT VEST. GEN. WW-41
 SCALE: 1:18



3 SECTION
 SCALE: 1:10