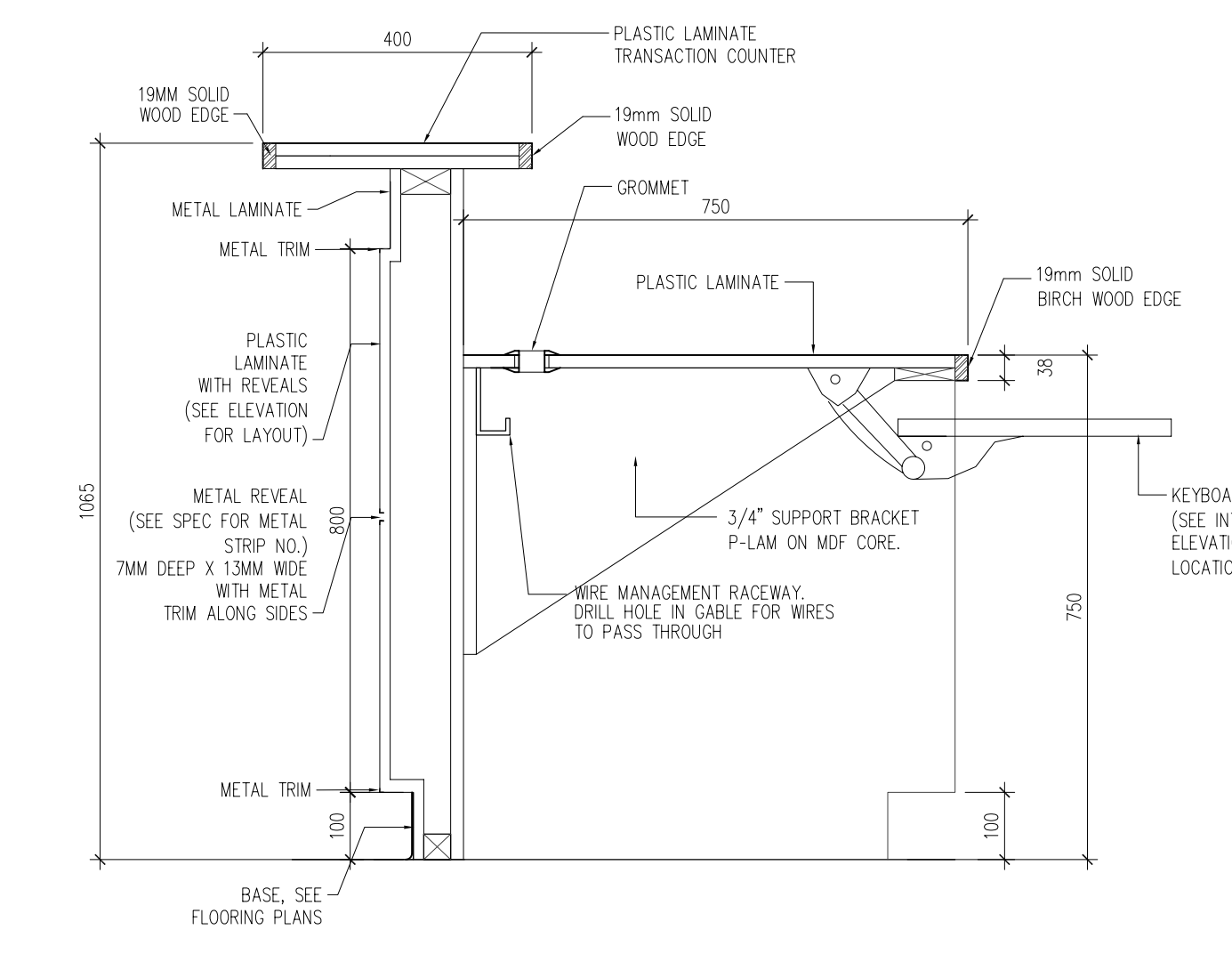
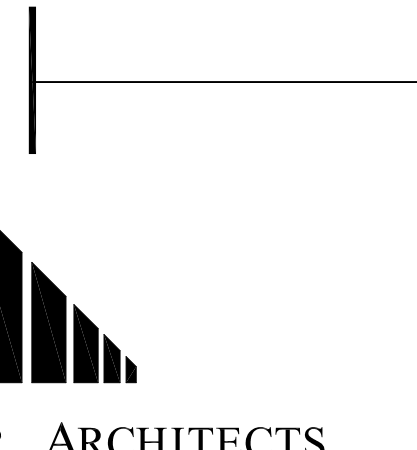


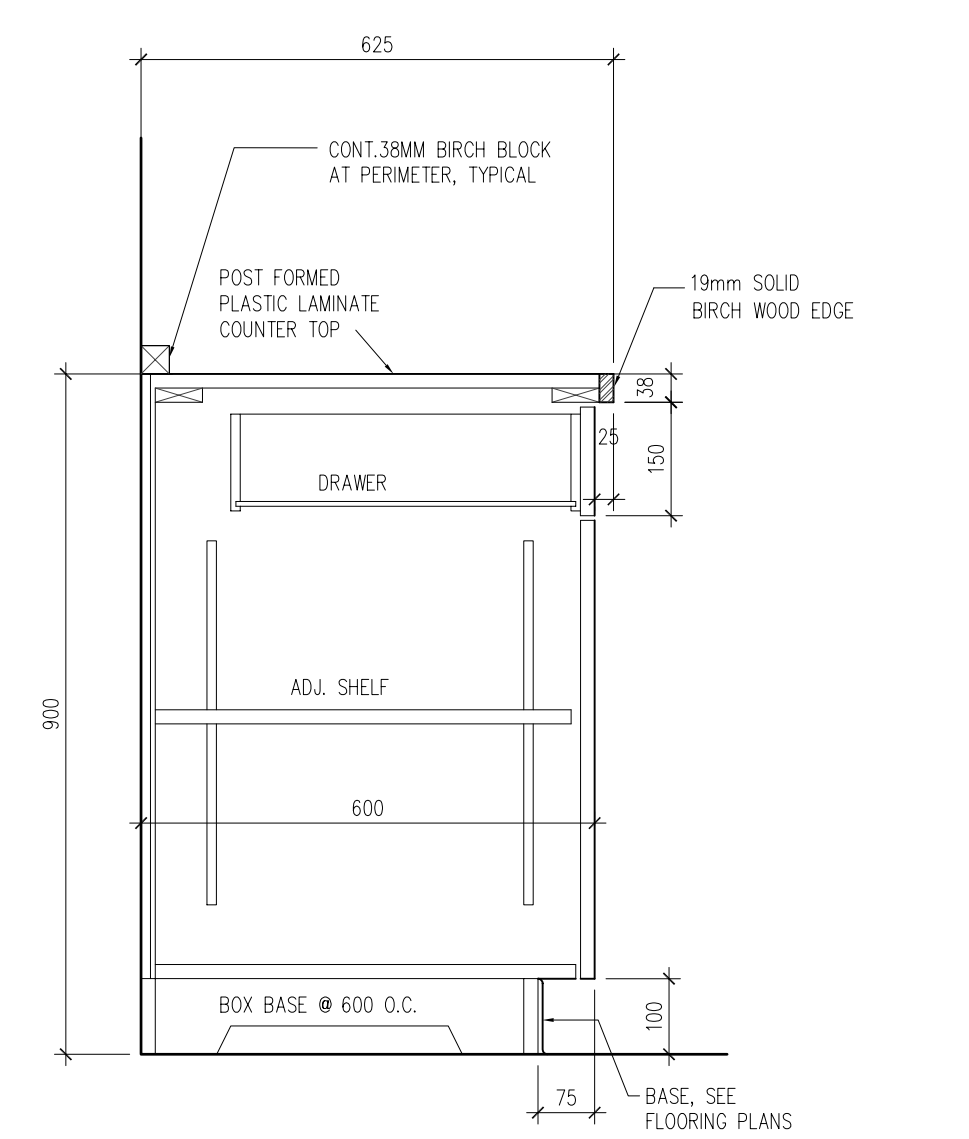
- REVISIONS:
- ISSUED FOR SITE REVIEW FEBRUARY 05, 2004
 - ISSUED FOR JDC REVIEW MARCH 04, 2004
 - ISSUED FOR 90% PRE-TENDER REVIEW APRIL 2004
 - ISSUED FOR TENDER MAY 14, 2004

Drawings and specifications, as instruments of service, are the property of the architect. The copyright in the same being reserved to him. No reproduction may be made without the permission of the architect and who made, must bear the name of the architect. The contractor shall verify dimensions and shall retain them with conditions on the job and is held responsible for reporting any discrepancy to the architect for adjustment. This drawing shall not be used for building purposes until counterchecked by:

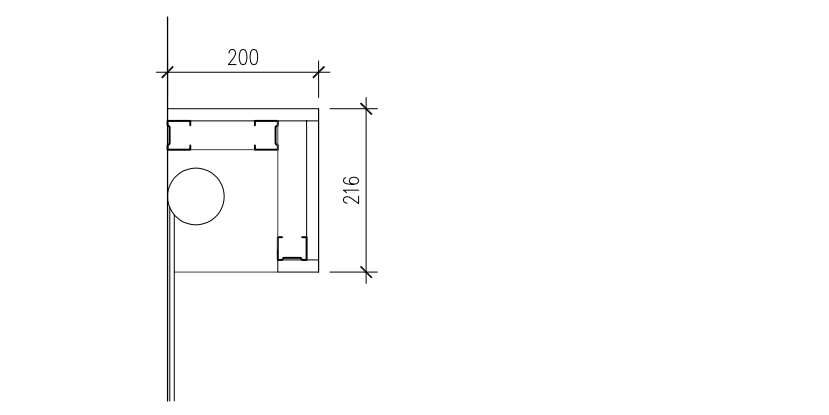
THE CITY OF WINNIPEG
 1155 PACIFIC AVENUE
 PUBLIC WORKS DEPARTMENT RENOVATION
 PUBLIC WORKS AND WATER & WASTE DEPARTMENTS ADDITION



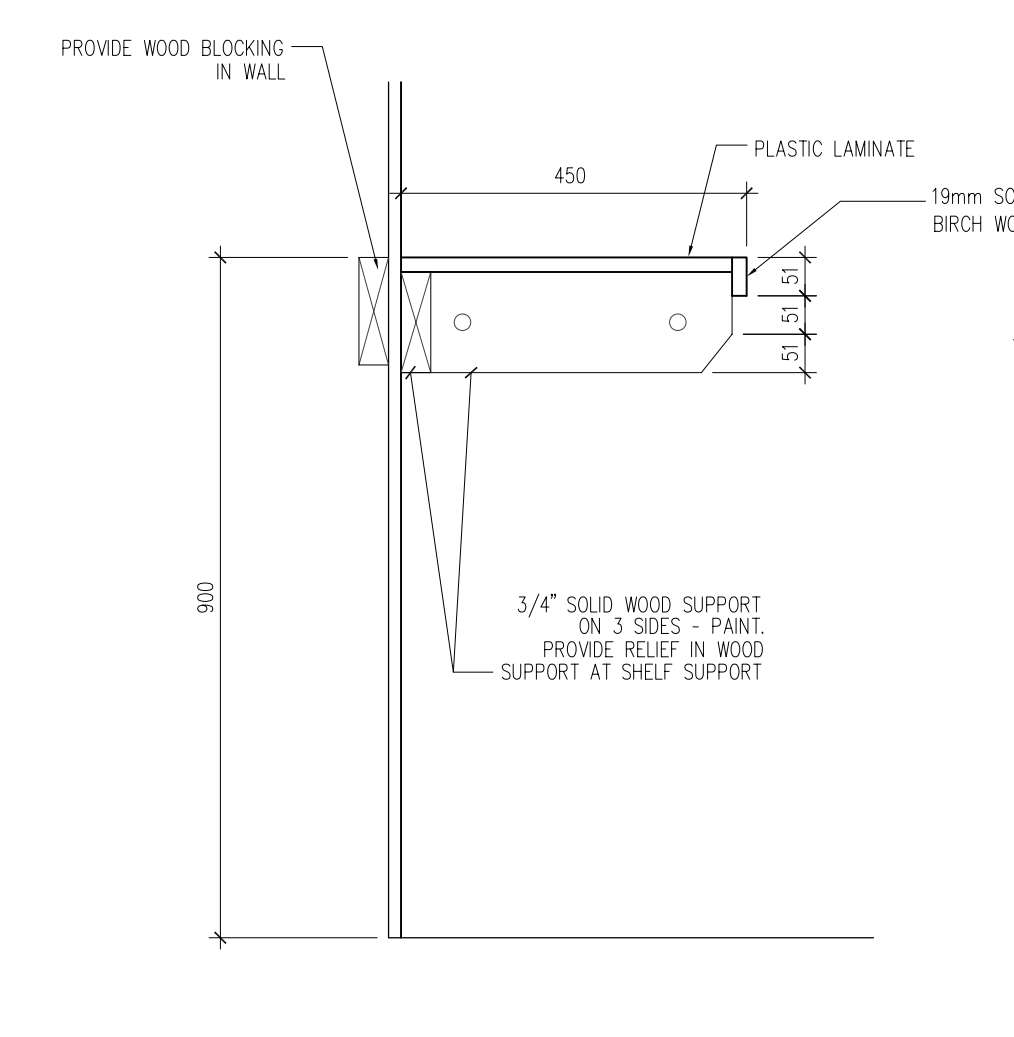
24 RECEIVING COUNTER GEN.WW-14
 A11.2 1/8"



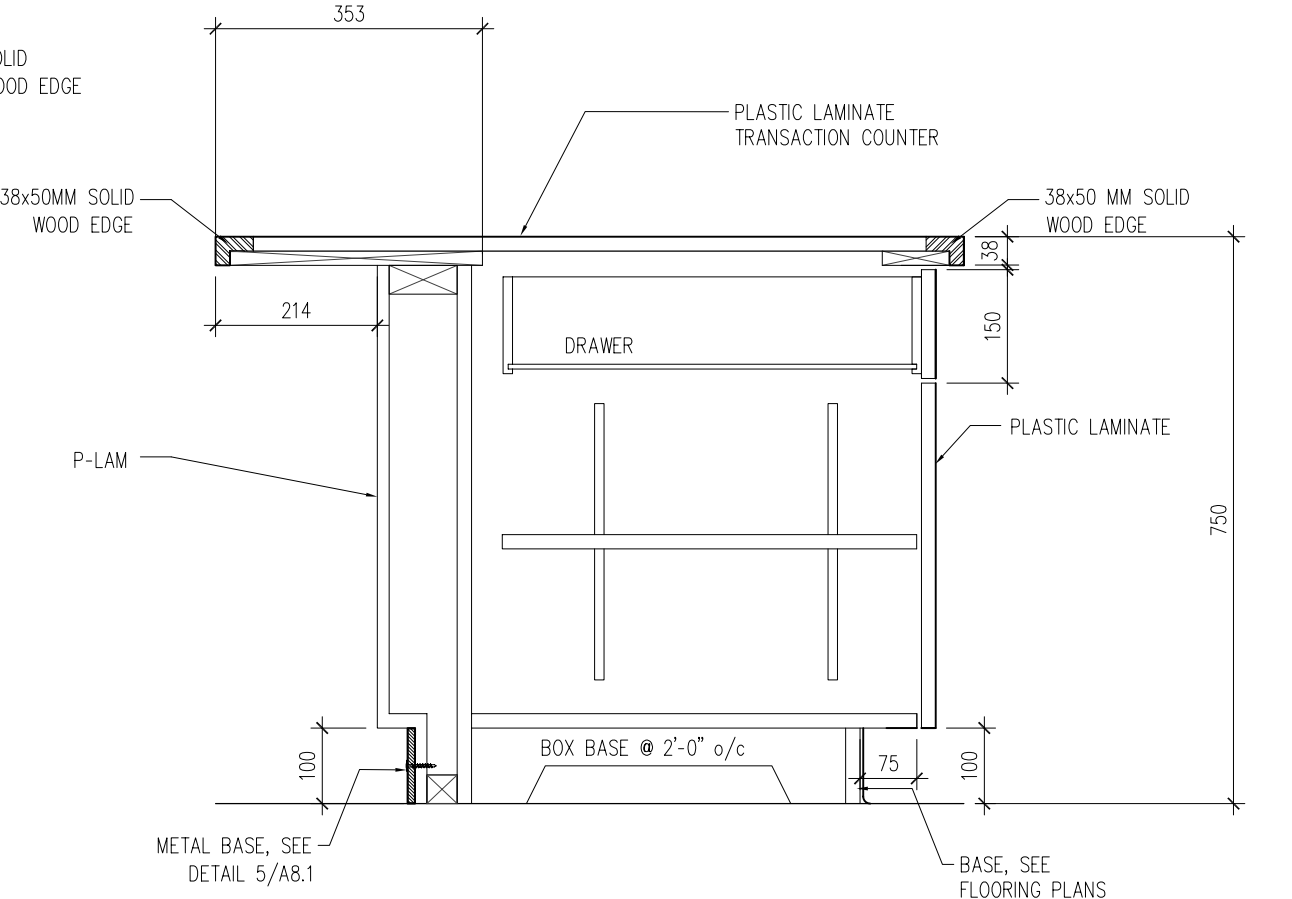
32 MEETING ROOM MILLWORK (TYPICAL)
 A11.3 1/8"



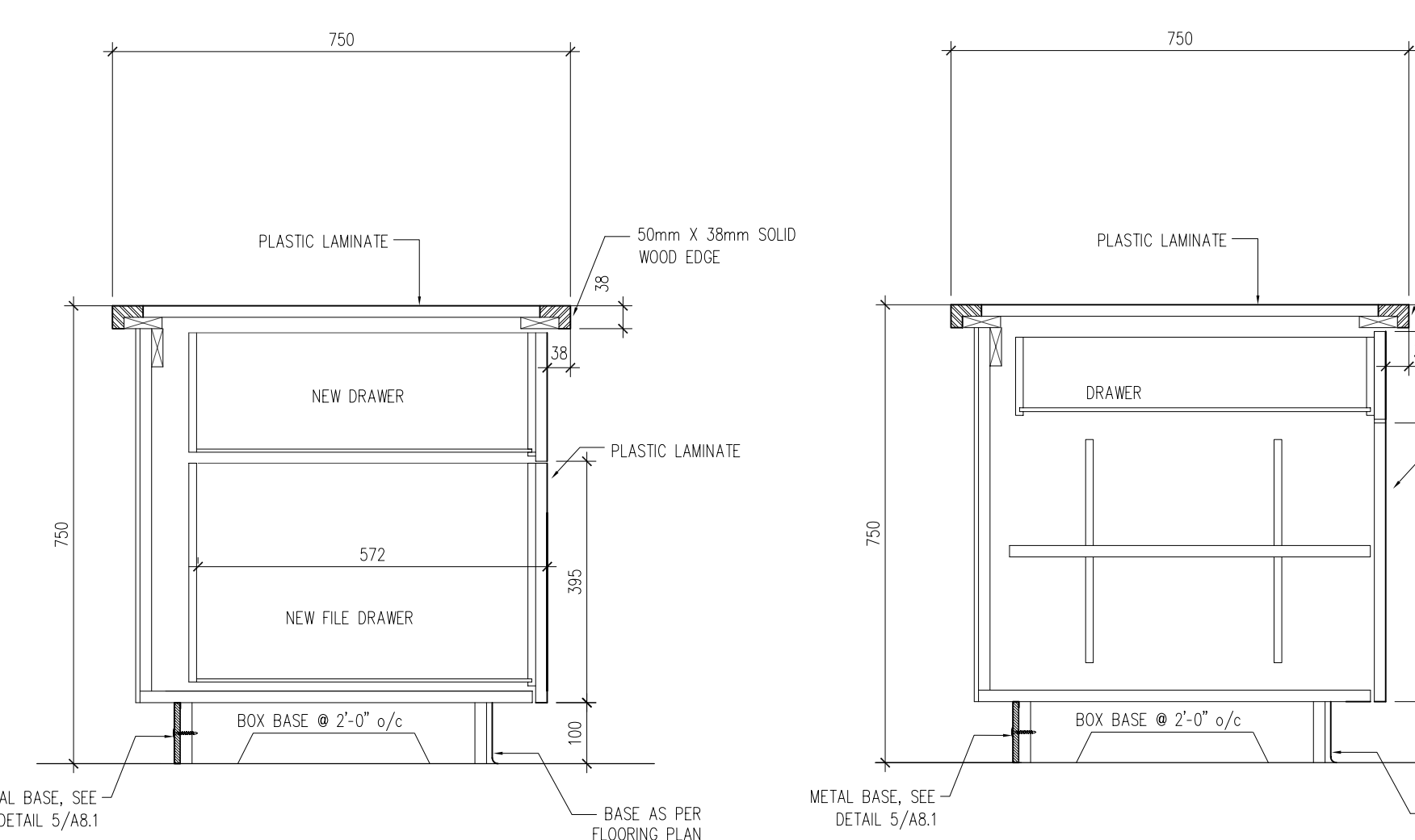
30 TYPICAL PROJECTION SCREEN VALENCE
 A11.1 1/8"



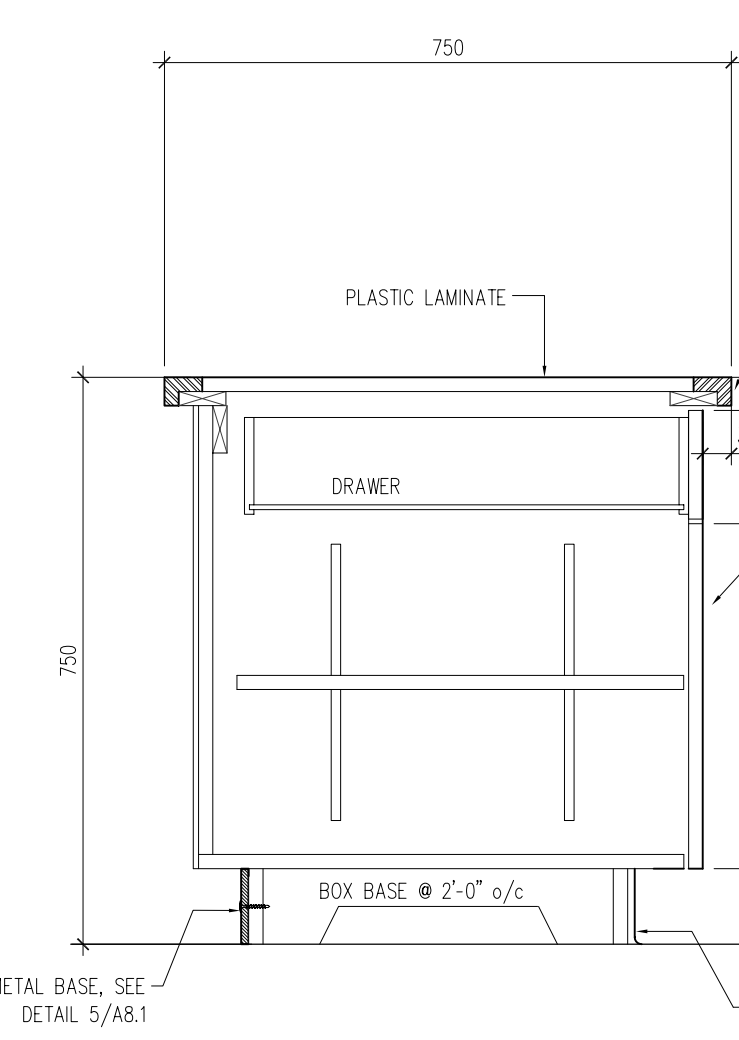
31 SHIPPING AND RECEIVING GEN.WW-24
 A11.3 1/8"



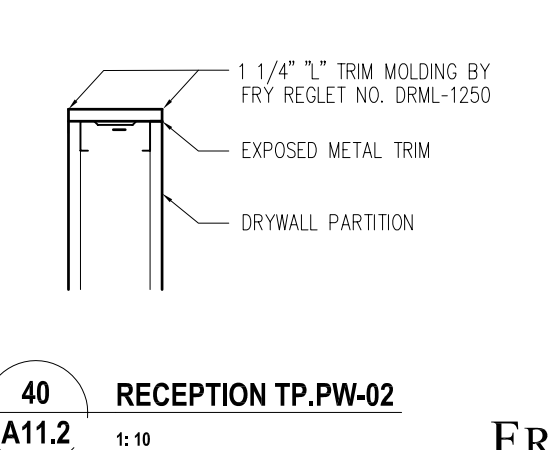
33 RECEPTION TP-PW-02
 A11.2 1/8"



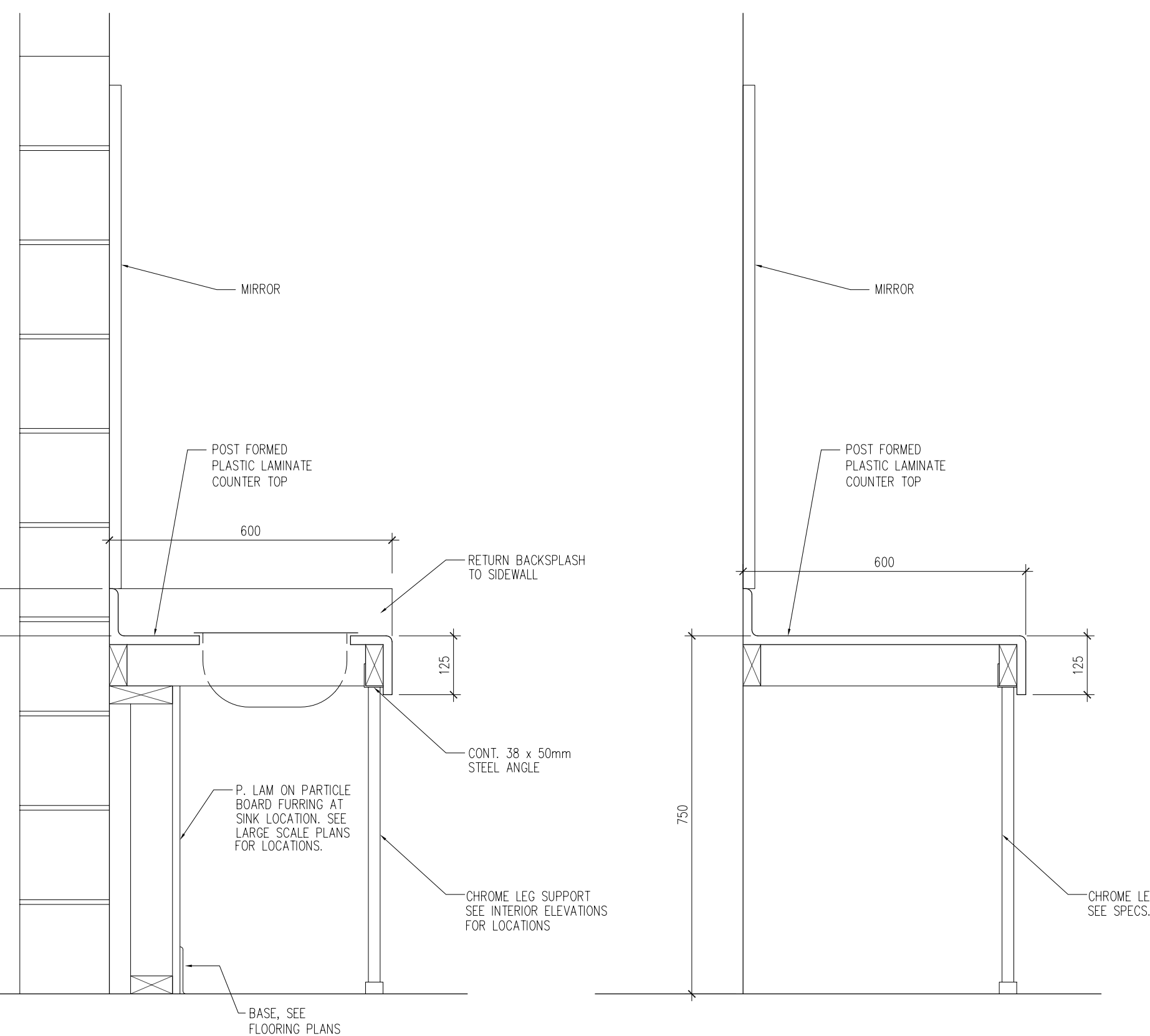
38 RECEPTION TP-PW-02
 A11.2 1/8"



39 RECEPTION TP-PW-02
 A11.2 1/8"

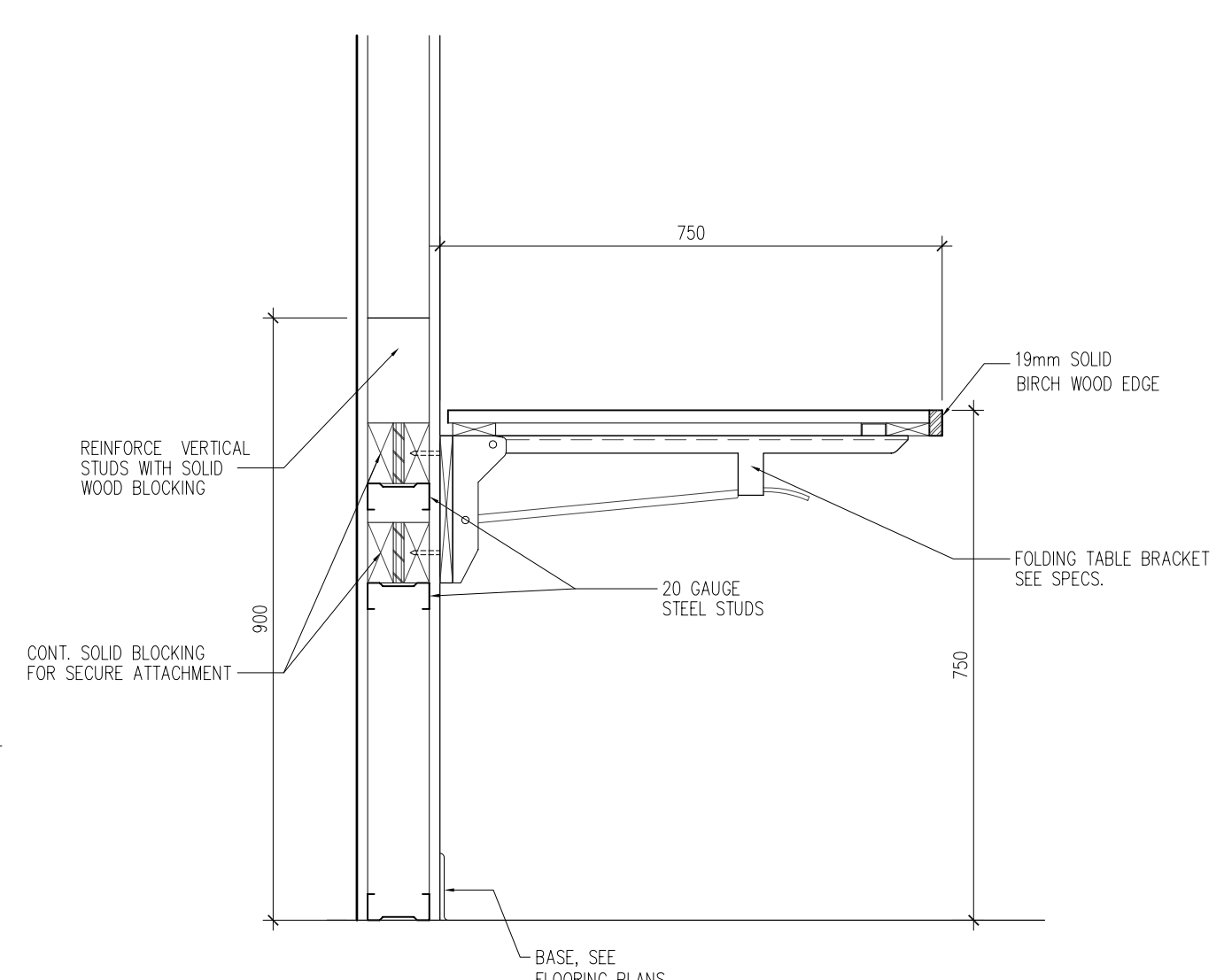


40 RECEPTION TP-PW-02
 A11.2 1/8"

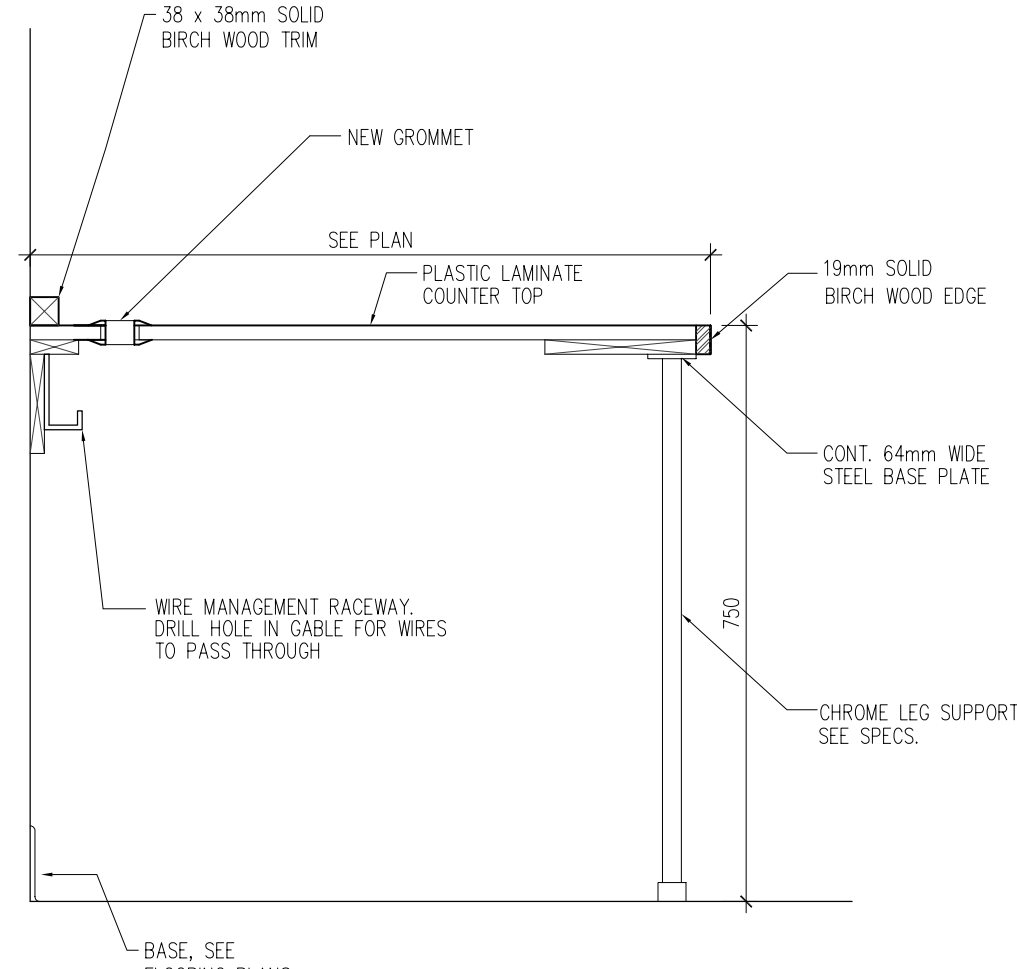


23 VANITY SECTION
 A11.2 1/8"

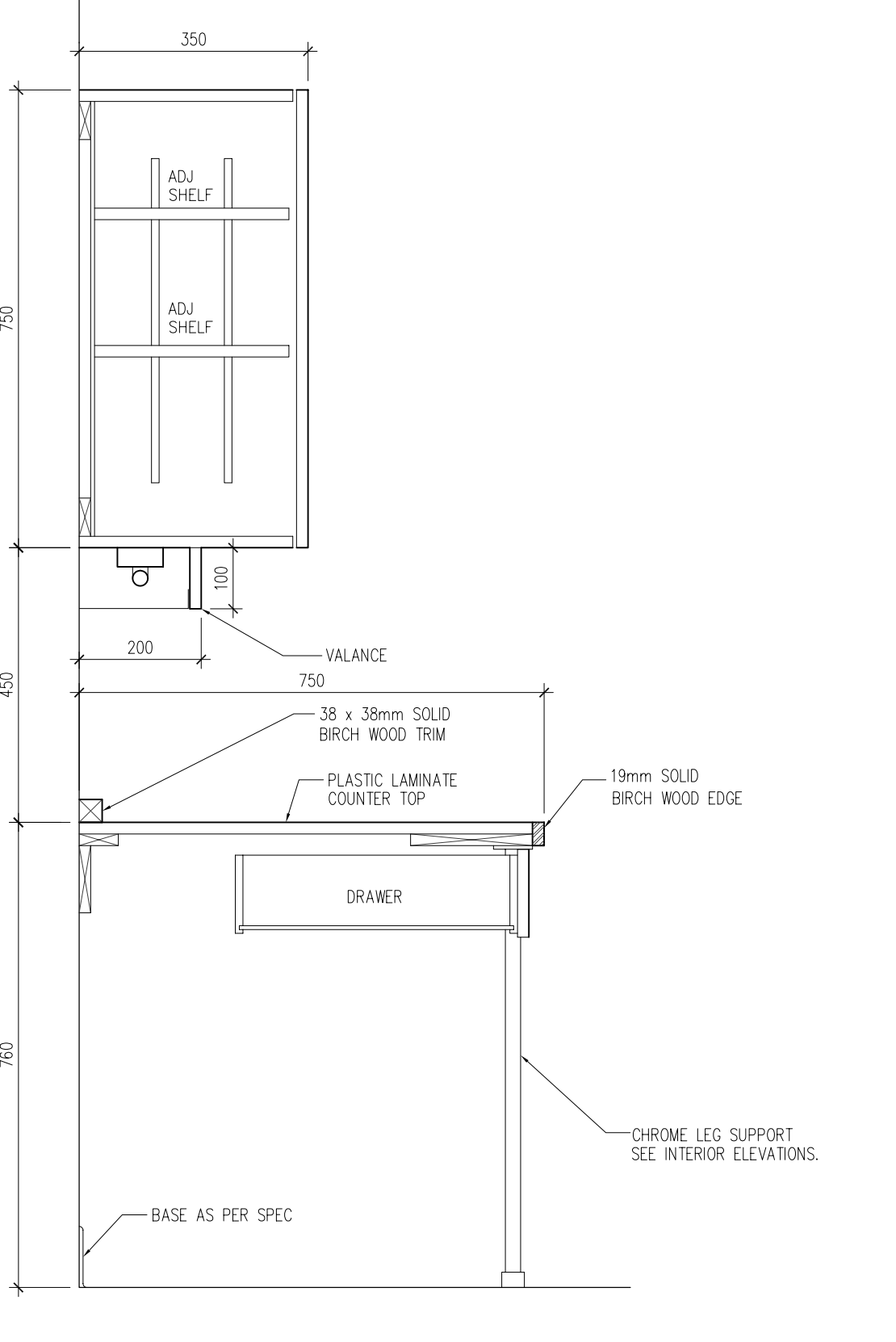
22 FURRING AT LAVATORY BELOW COUNTER IN WC
 A11.2 1/8"



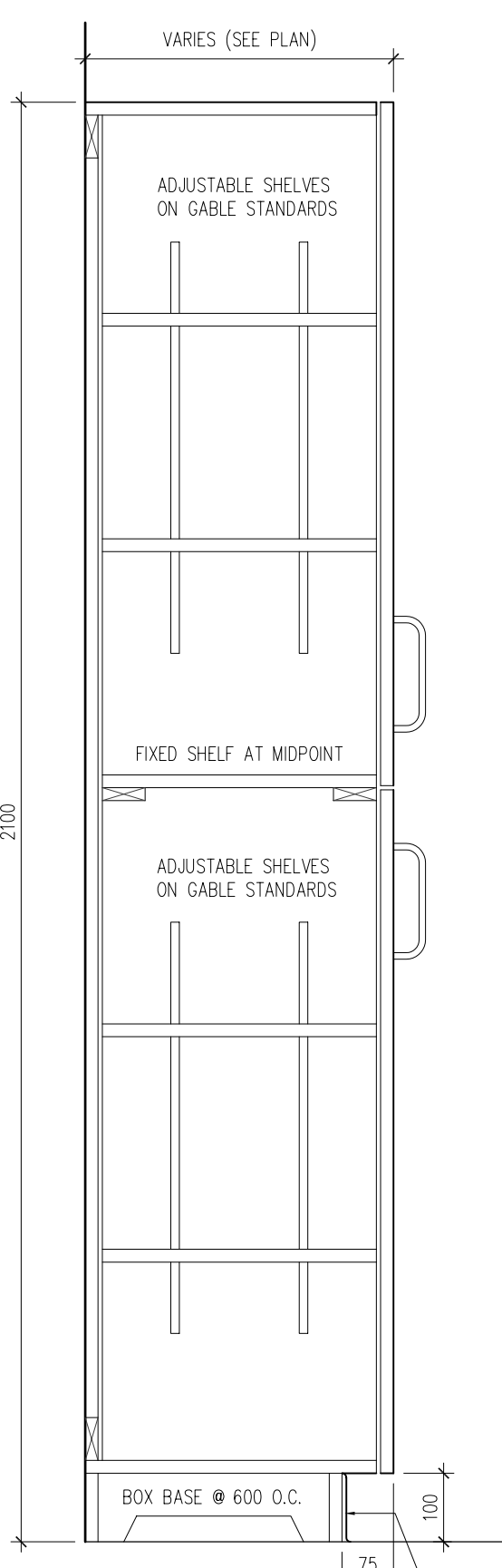
21 MILLWORK SECTION AT WORKROOM - EN.WW-44
 A11.2 1/8"



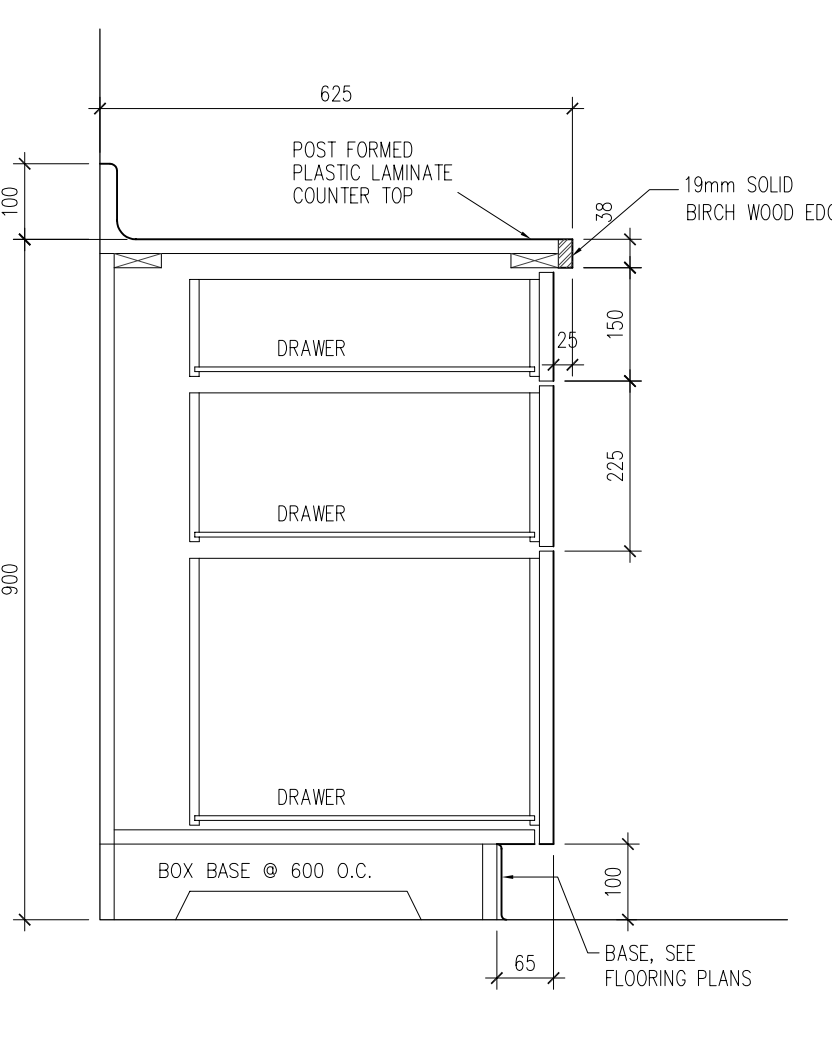
20 WORKROOM - EN.WW-47 & GEN.WW-17
 A11.2 1/8"



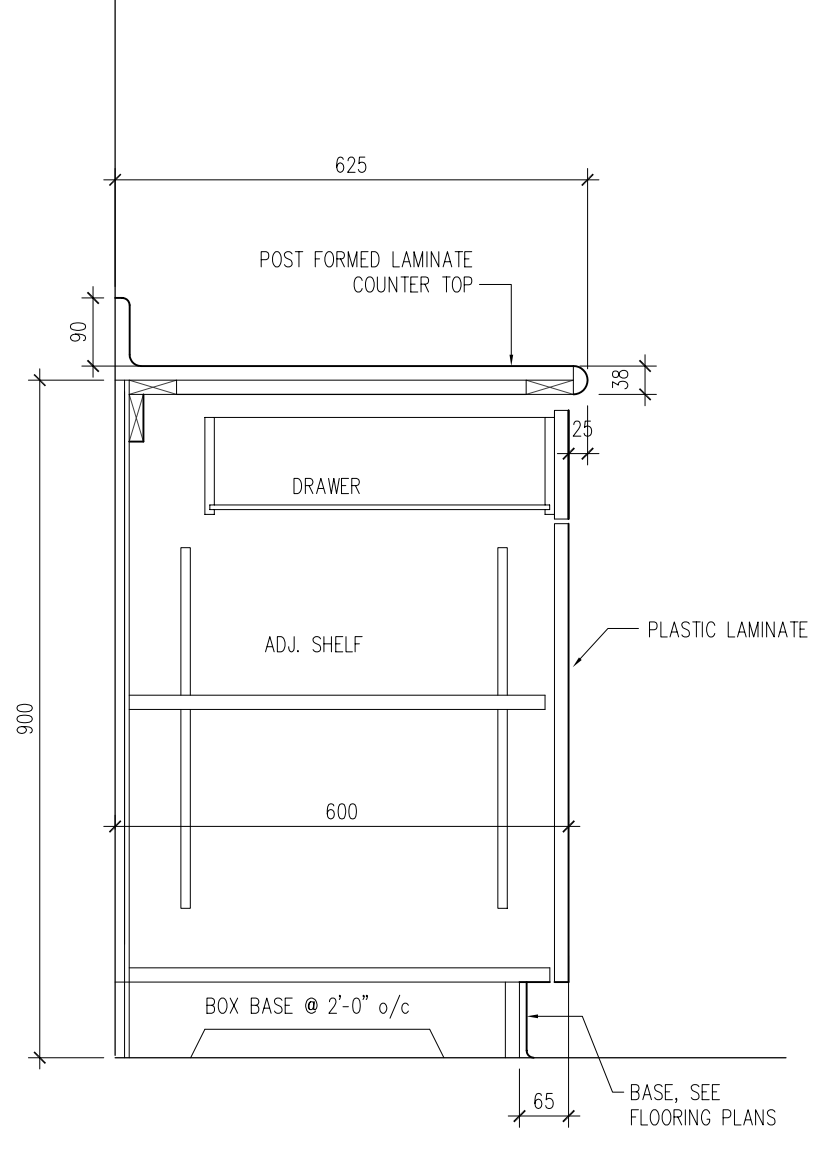
19 WORKROOM IS.WW-07
 A11.2 1/8"



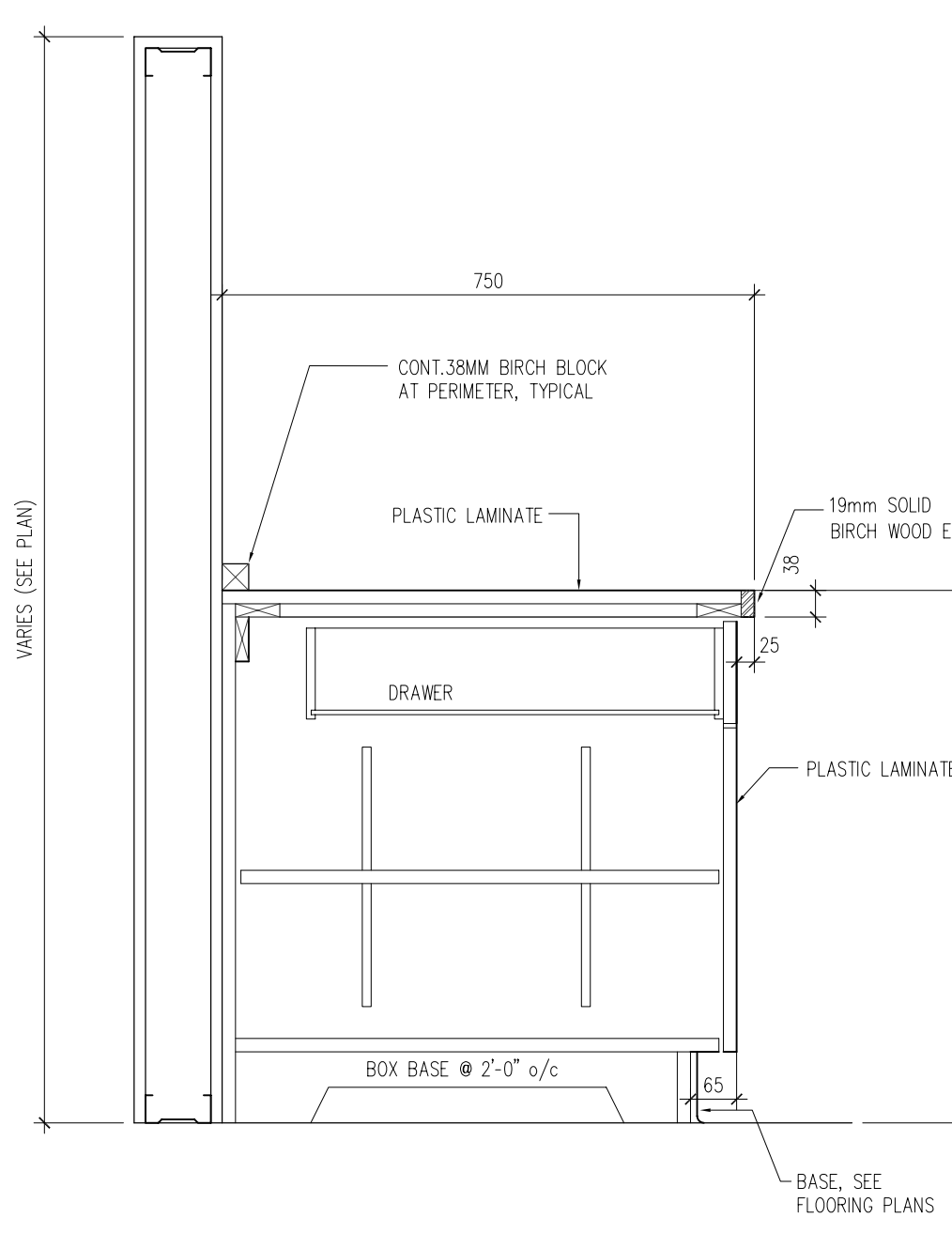
29 MILLWORK SECTION
 A11.2 1/8"



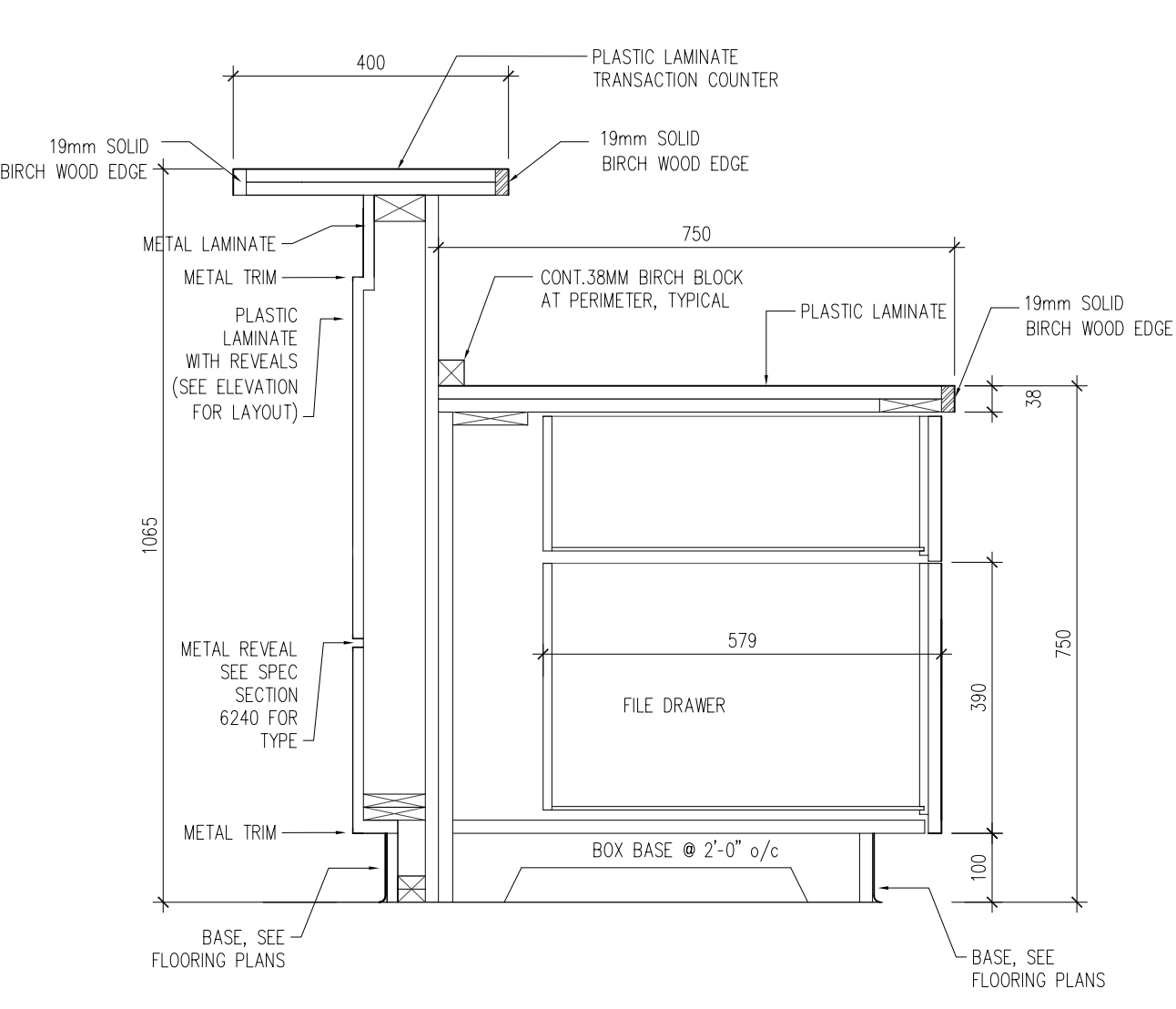
28 COFFEE ST BS.PW-02
 A11.2 1/8"



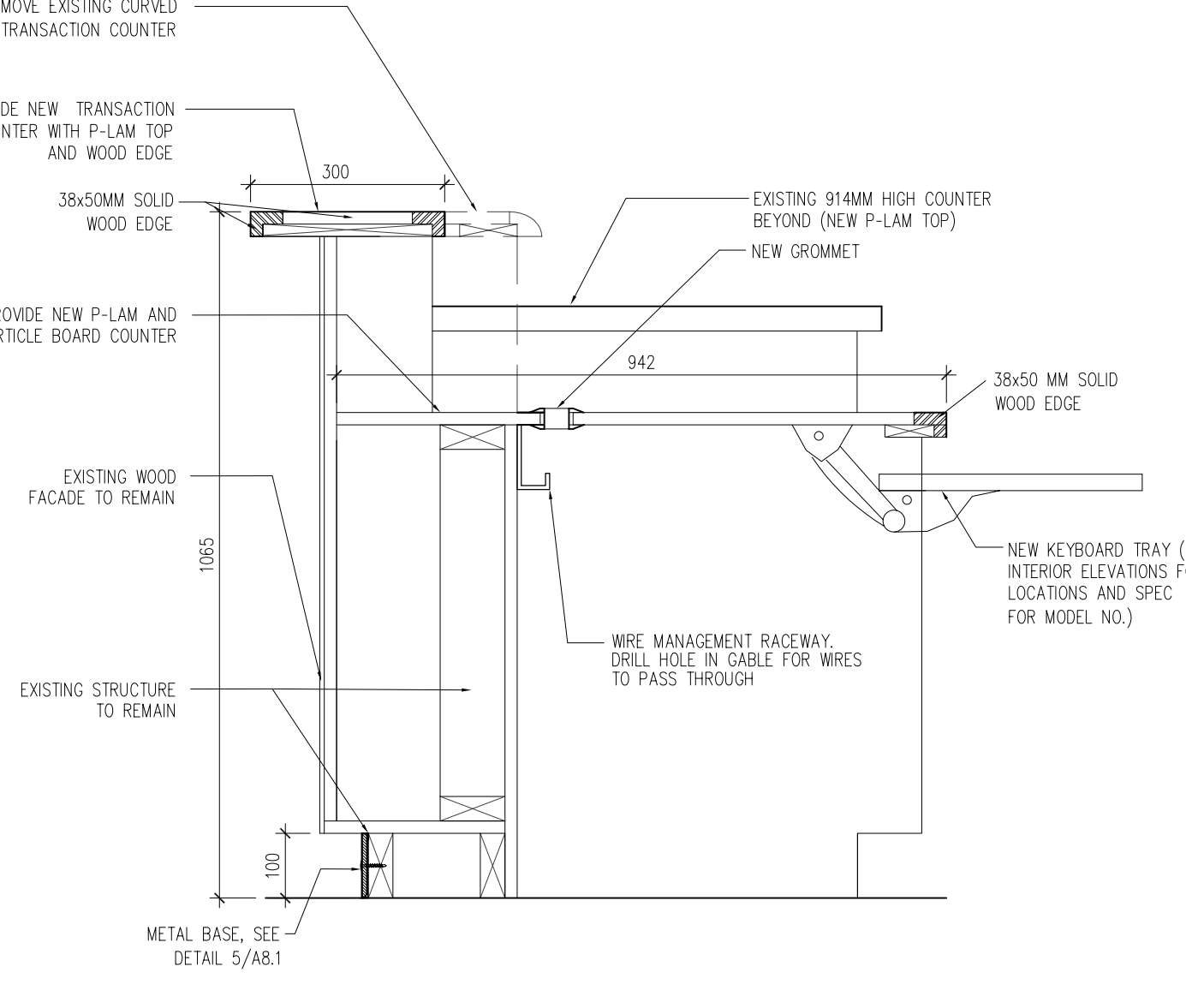
27 COFFEE ST BS.PW-02
 A11.1 1/8"



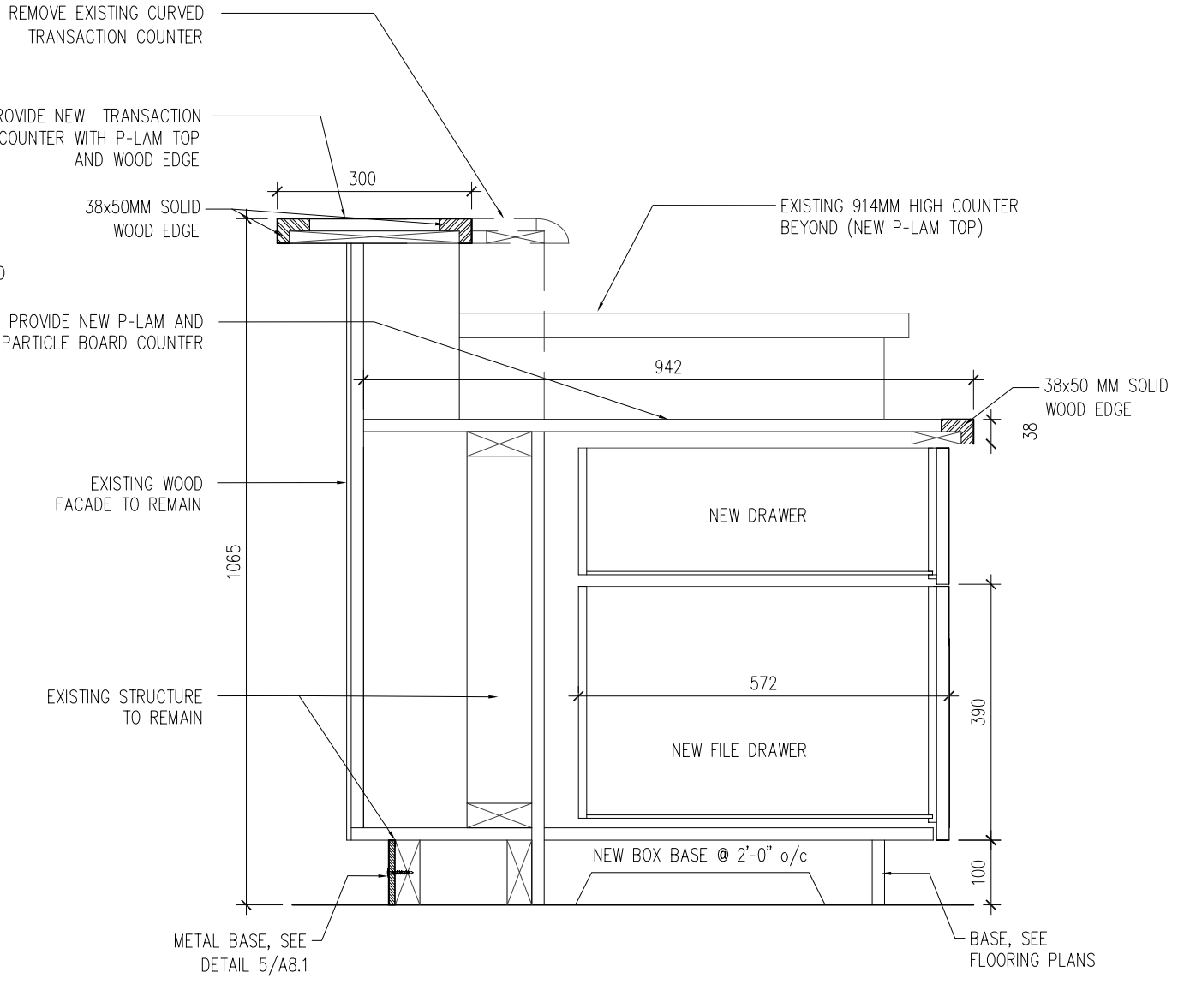
26 RECEPTION BC.WW-03
 A11.2 1/8"



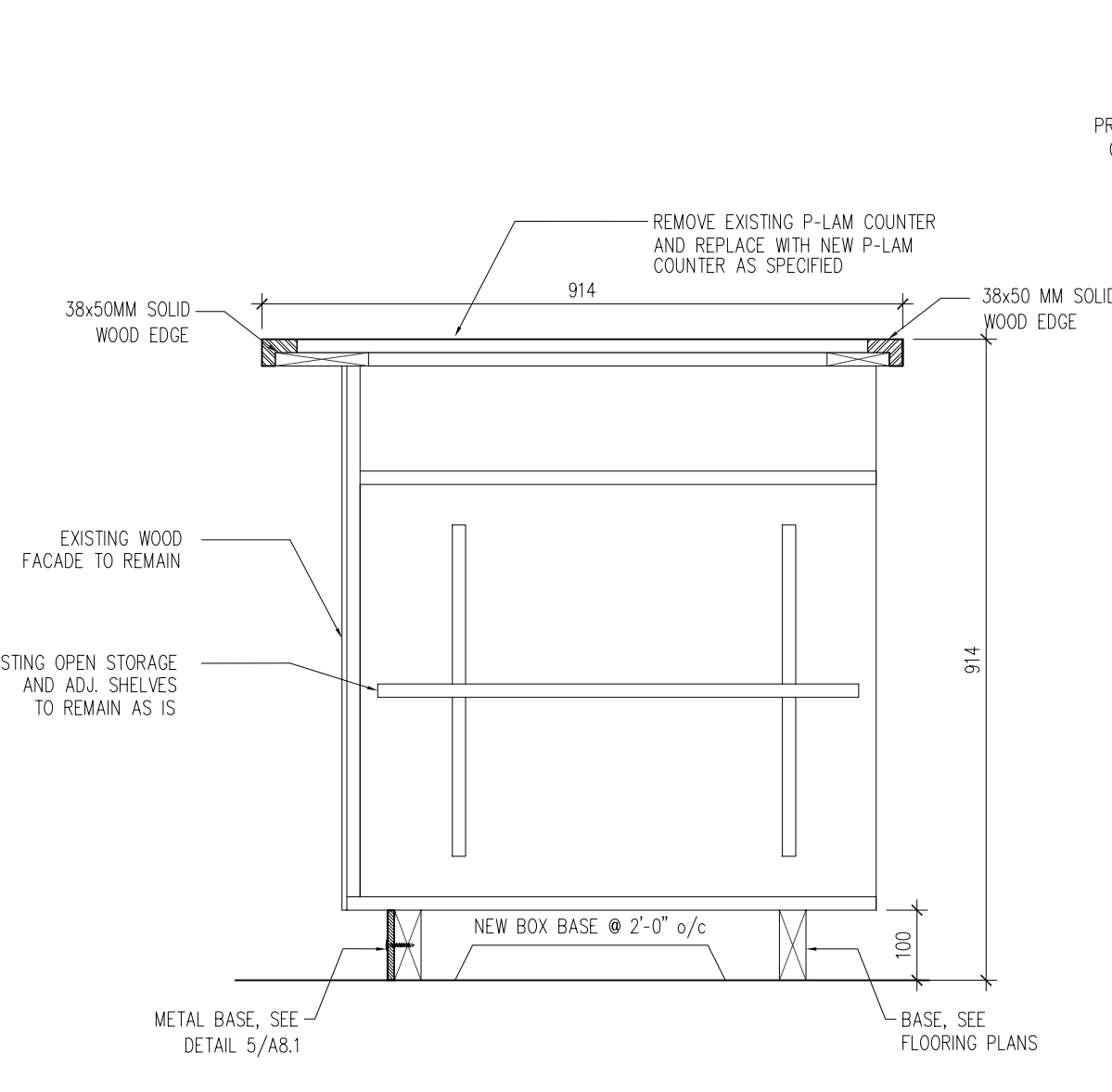
25 RECEIVING COUNTER GEN.WW-14
 A11.2 1/8"



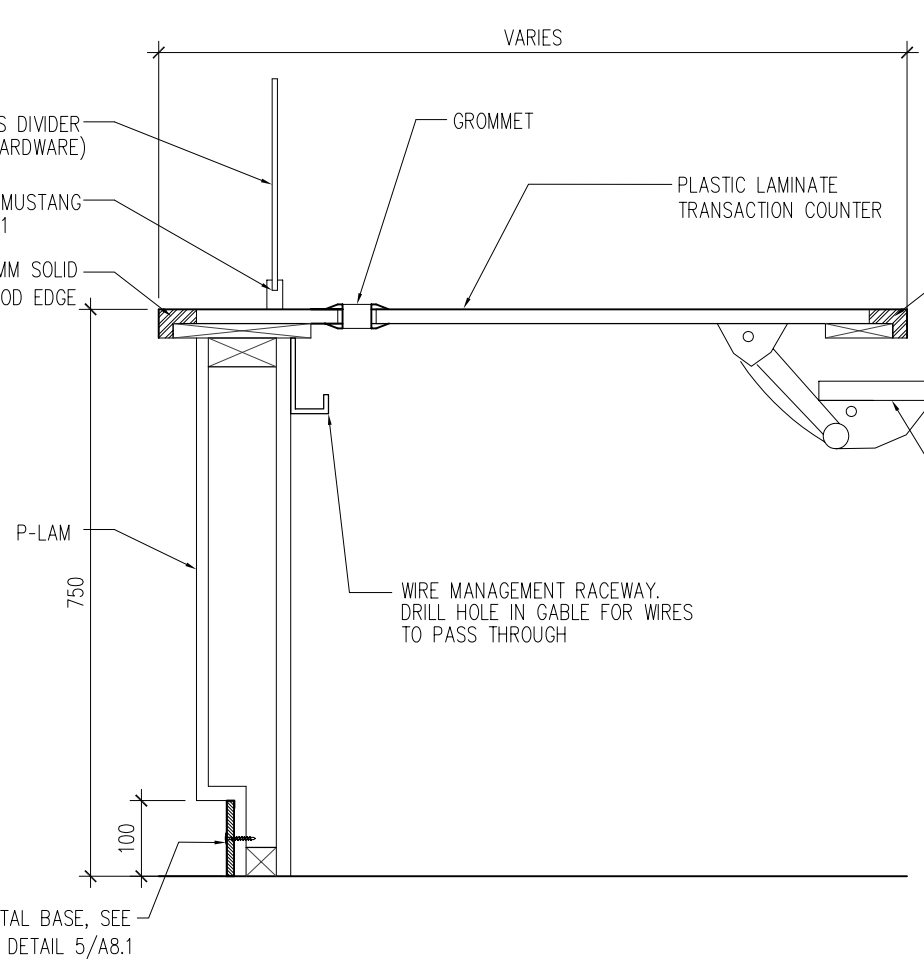
36 RECEPTION TP-PW-02
 A11.2 1/8"



35 RECEPTION TP-PW-02
 A11.2 1/8"



34 RECEPTION TP-PW-02
 A11.2 1/8"



37 RECEPTION TP-PW-02
 A11.2 1/8"