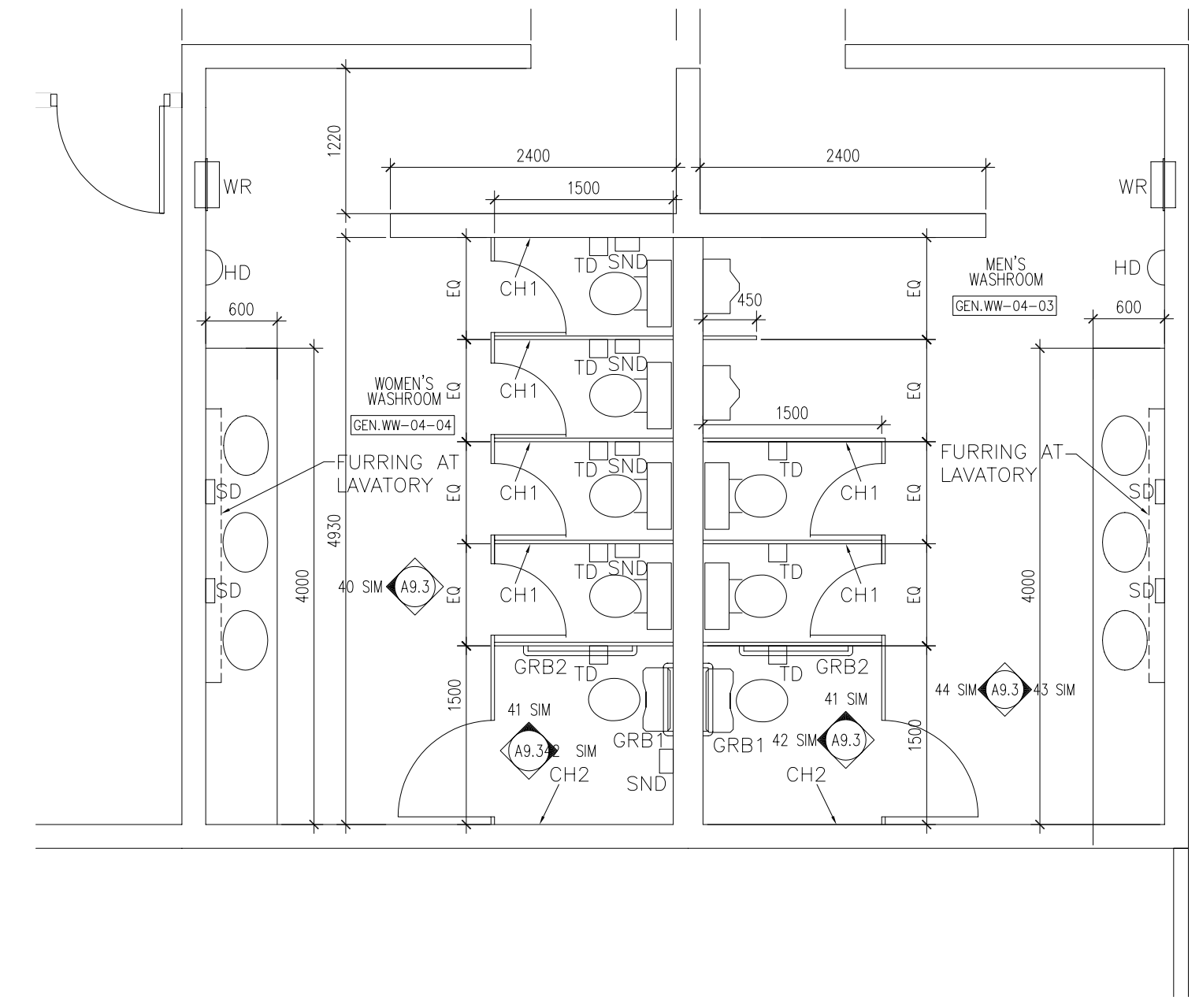
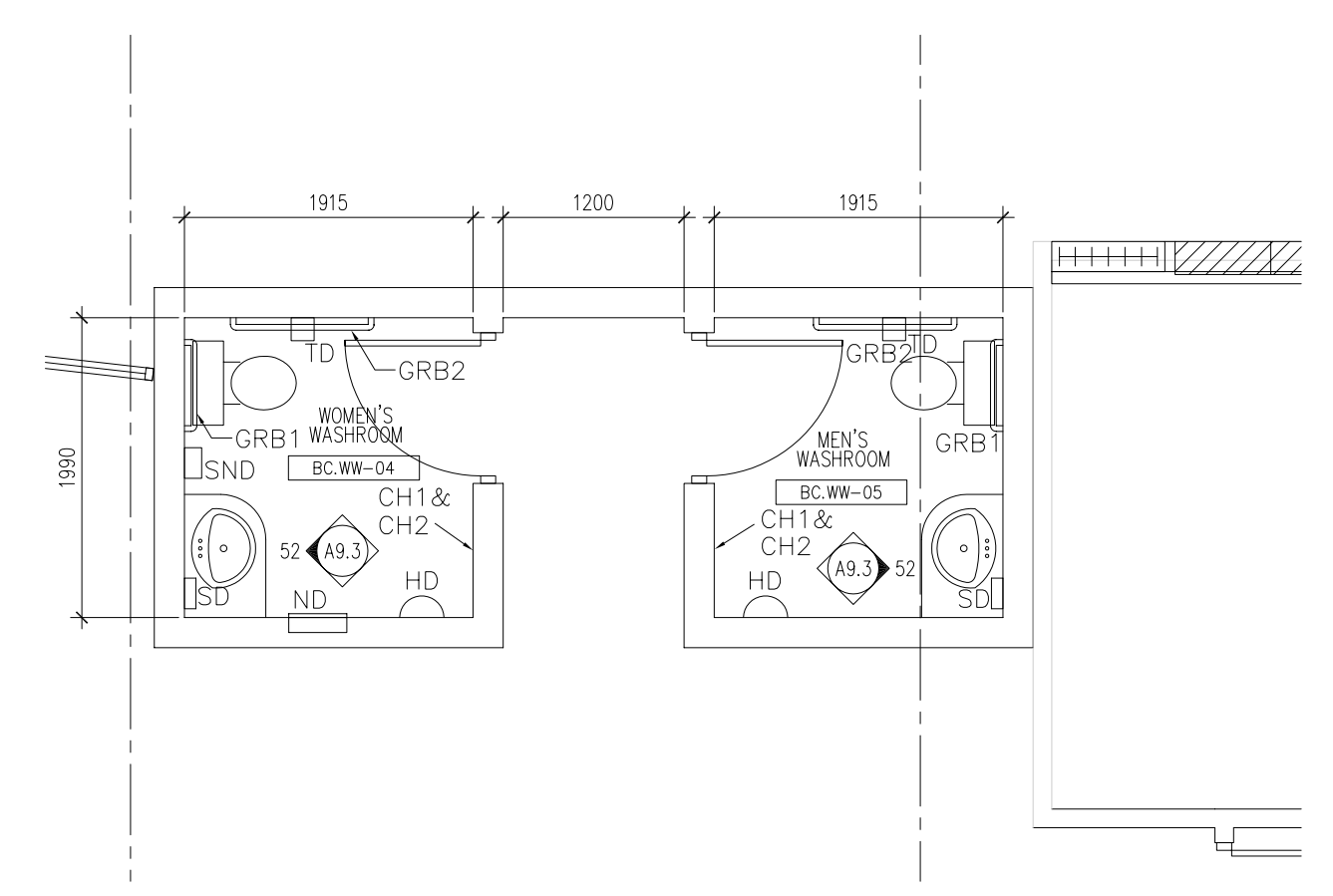


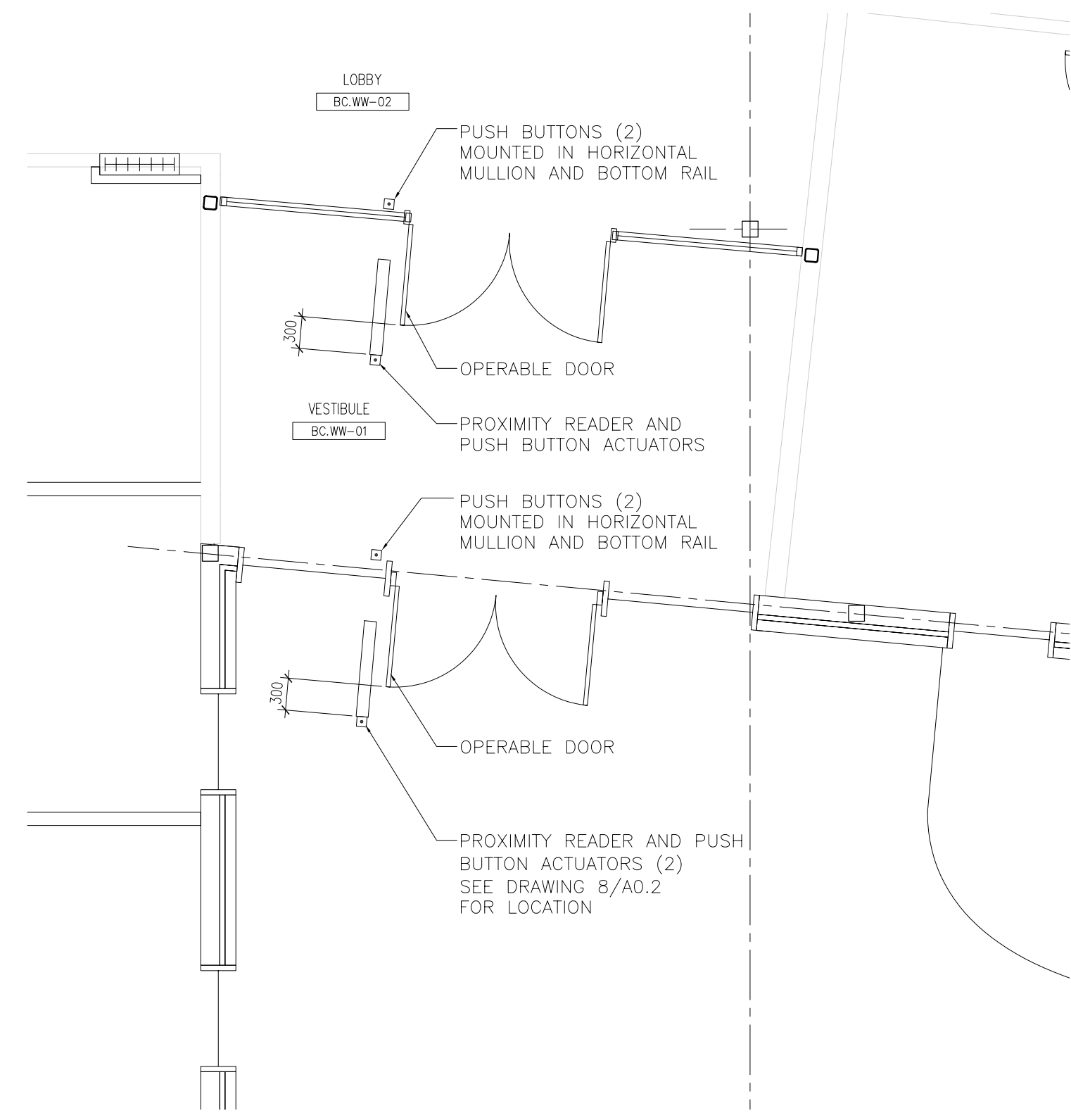
1
 A10.2
 LARGE SCALE PLAN WASHROOMS GEN.WW-04-02 & LOCKER ROOMS GEN.WW-08, GEN.WW-09
 SCALE 1:50



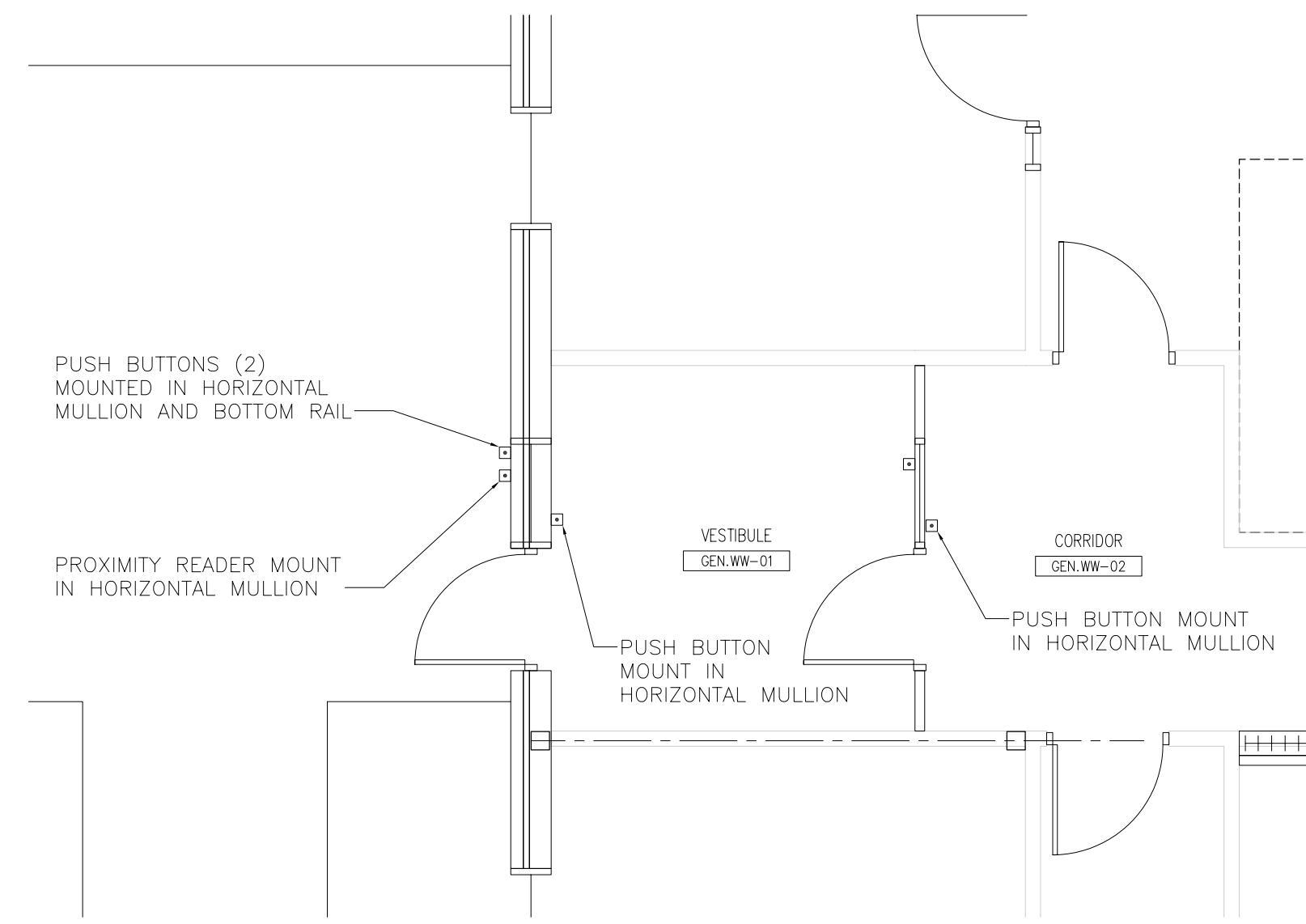
2
 A10.2
 LARGE SCALE PLAN WASHROOMS GEN.WW-04-04 & GEN.WW-04-03
 SCALE 1:50



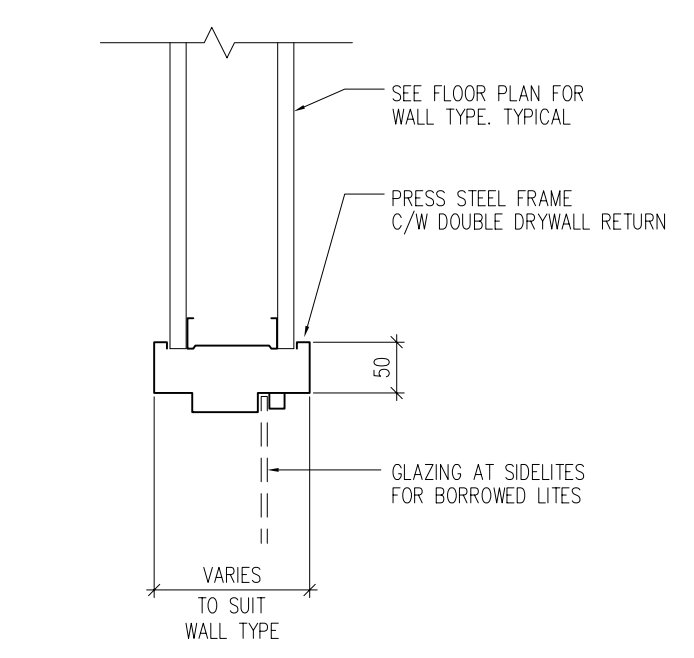
3
 A10.2
 LARGE SCALE PLAN WASHROOMS BC.WW-04 & BC.WW-05
 SCALE 1:50



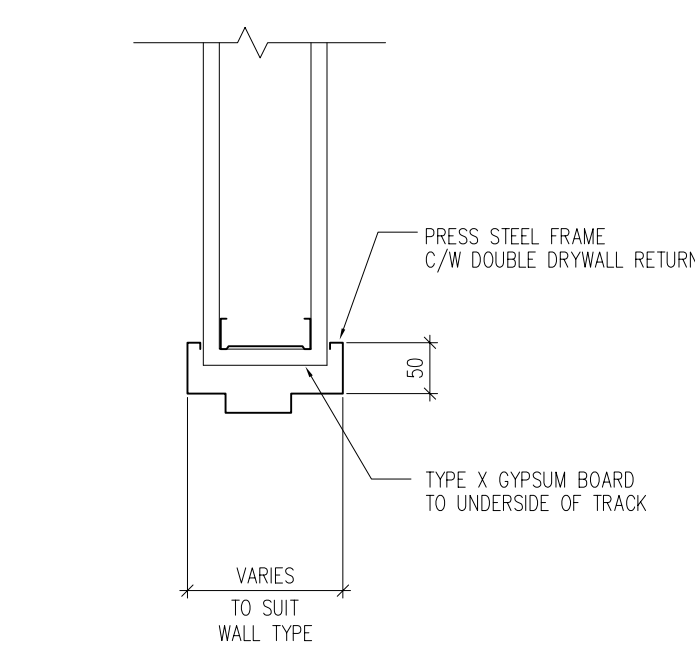
23
 A10.2
 LARGE SCALE PLAN VESTIBULE BC.WW-01
 SCALE 1:50



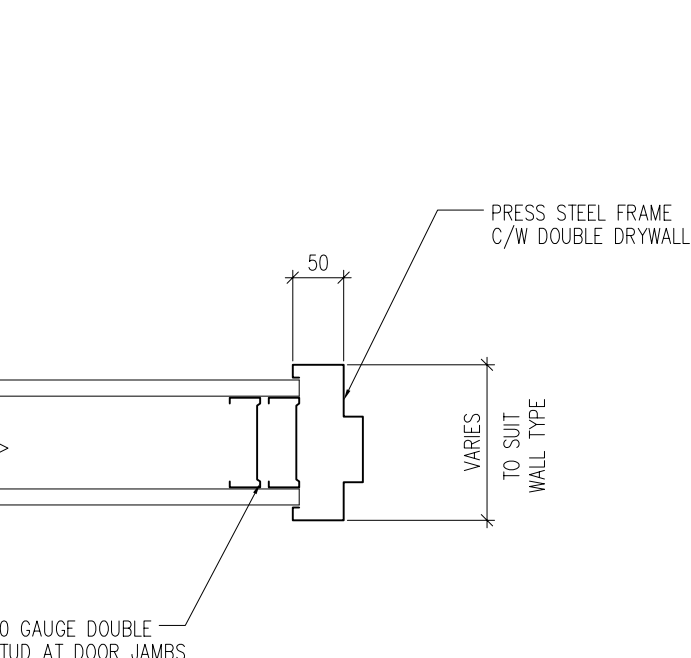
24
 A10.2
 LARGE SCALE PLAN VESTIBULE GEN.WW-01
 SCALE 1:50



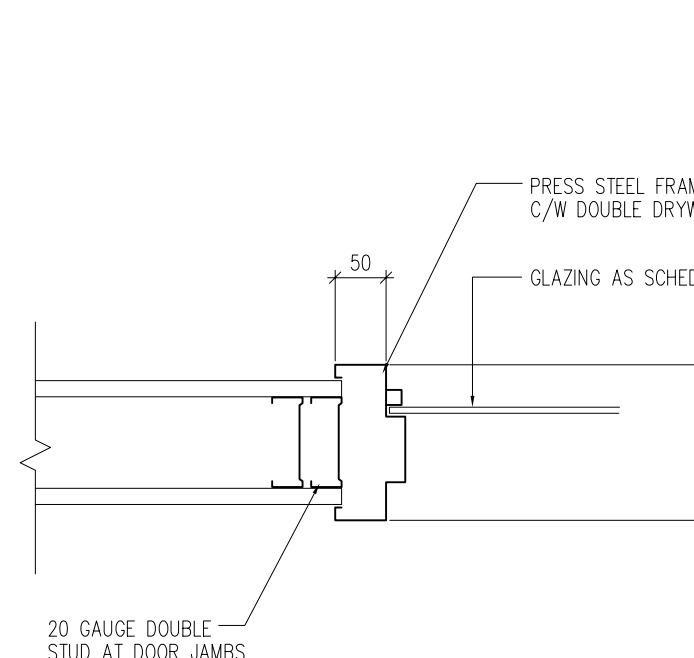
4
 A10.2
 TYPICAL PRESS STEEL HEAD DETAIL
 SCALE 1:1.5



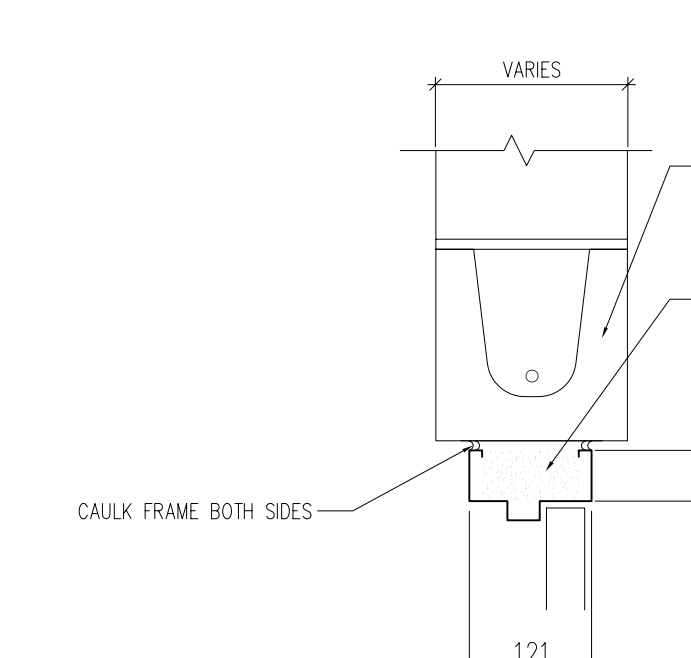
5
 A10.2
 HEAD DETAIL AT RATED PRESS STEEL FRAME
 SCALE 1:1.5



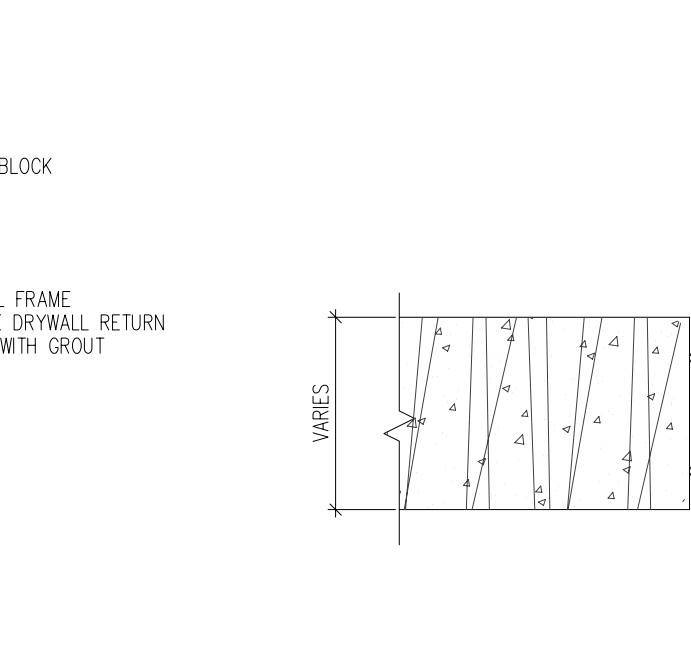
6
 A10.2
 TYPICAL PRESS STEEL JAMB DETAIL
 SCALE 1:1.5



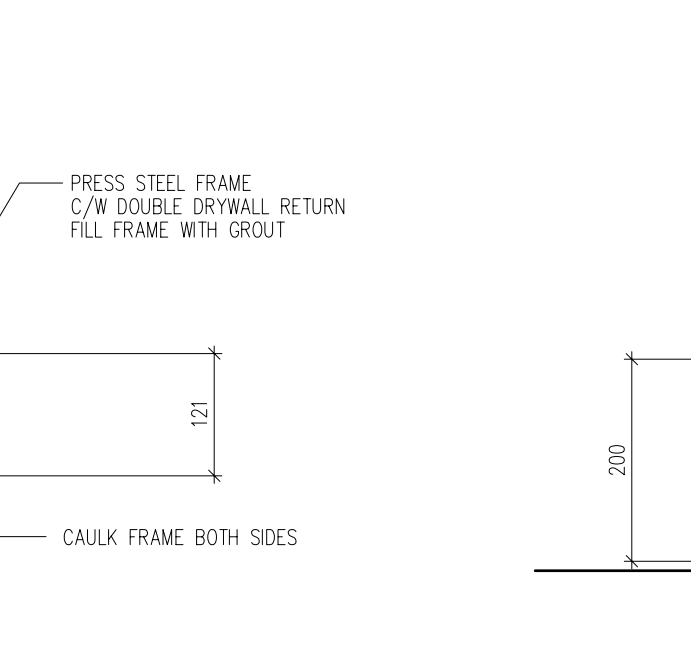
7
 A10.2
 TYPICAL BORROWED LITE PRESS STEEL JAMB DETAIL
 SCALE 1:1.5



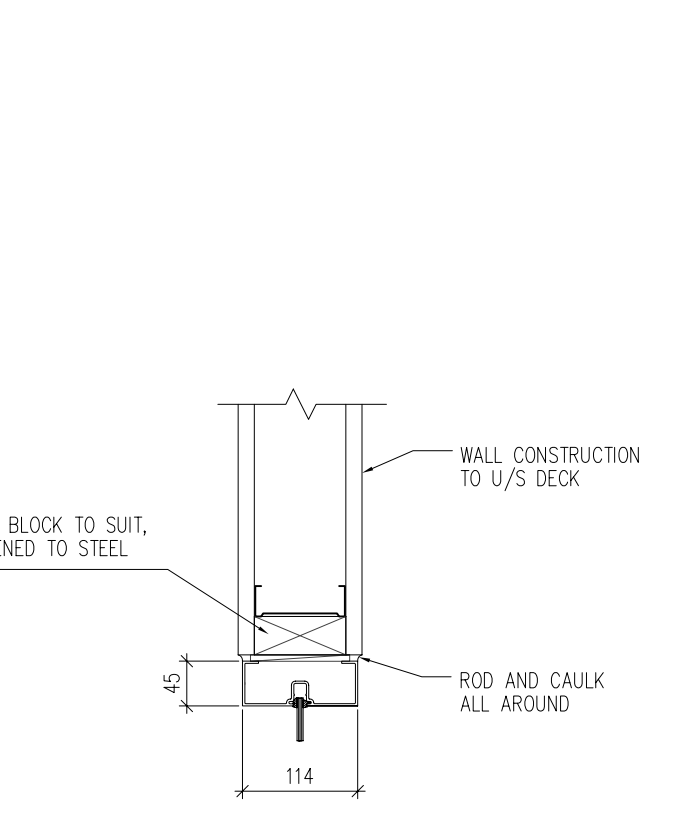
8
 A10.2
 TYPICAL PRESS STEEL HEAD AT CONC. BLOCK PARTITION
 SCALE 1:1.5



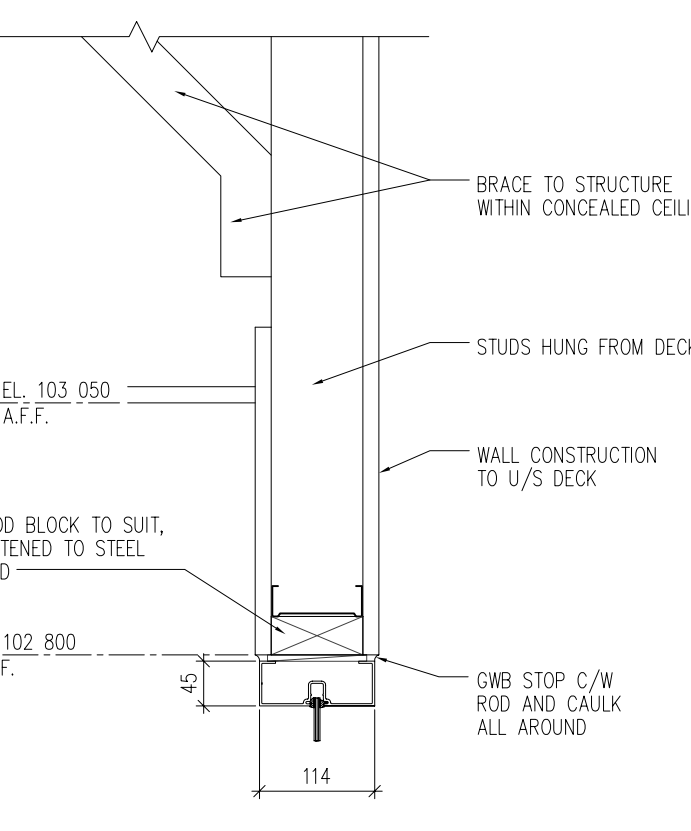
9
 A10.2
 PRESS STEEL JAMB AT CONC. BLOCK PARTITION
 SCALE 1:1.5



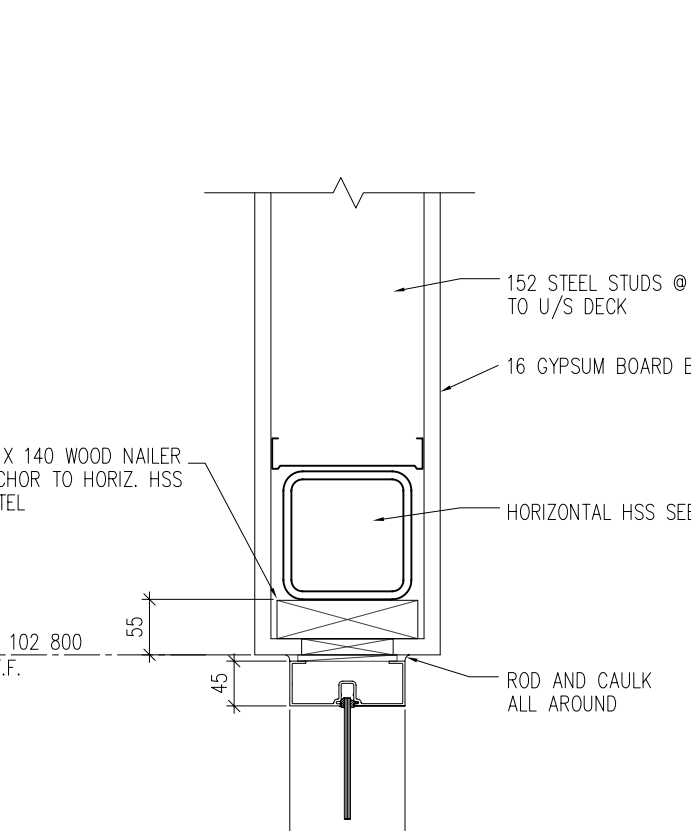
10
 A10.2
 TYPICAL PRESS STEEL SIDE LITE BASE
 SCALE 1:1.5



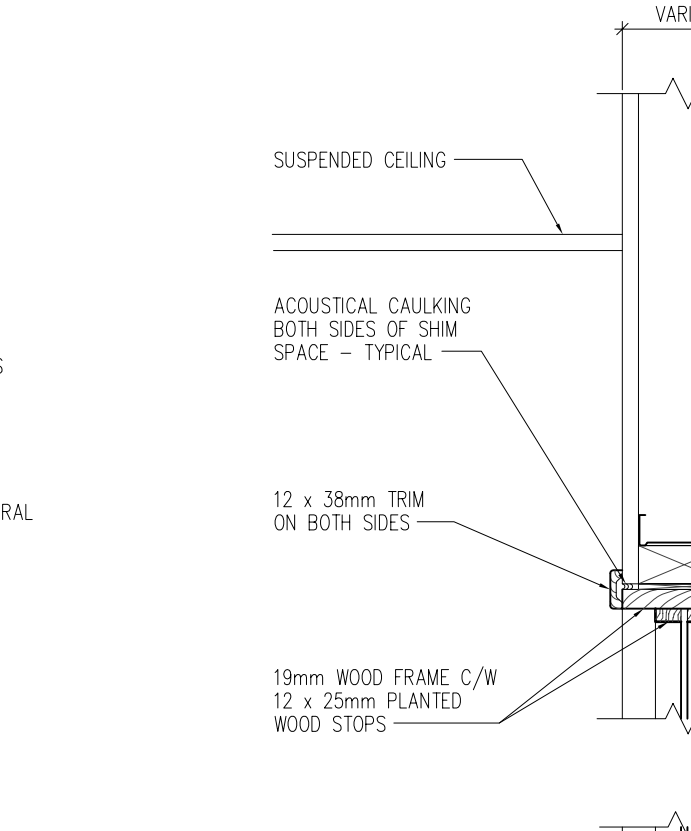
11
 A10.2
 TYPICAL ALUMINUM HEAD, SIDE LITE
 SCALE 1:1.5



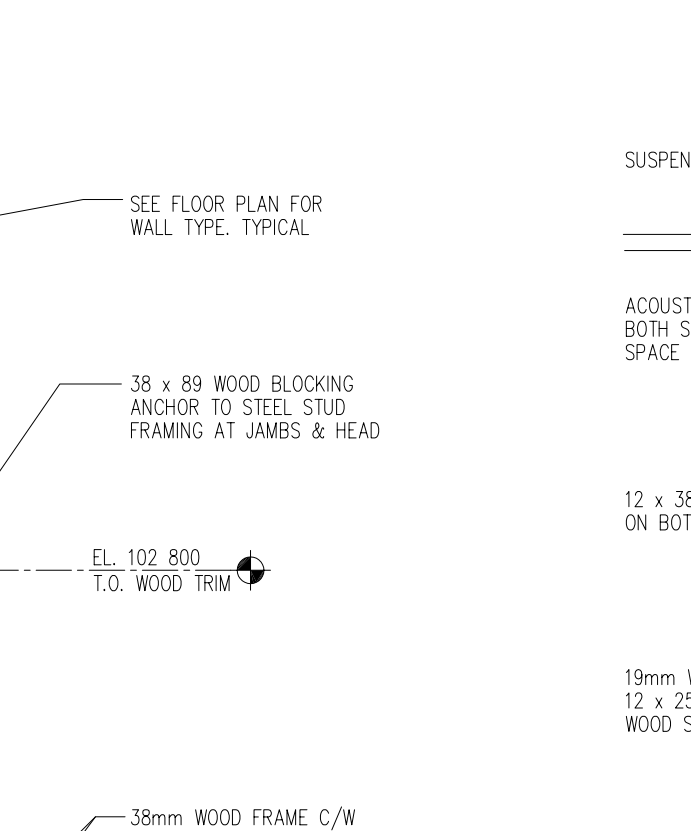
12
 A10.2
 HEAD DETAIL, SIDE LITE AT VESTIBULE - GEN.WW-41
 SCALE 1:1.5



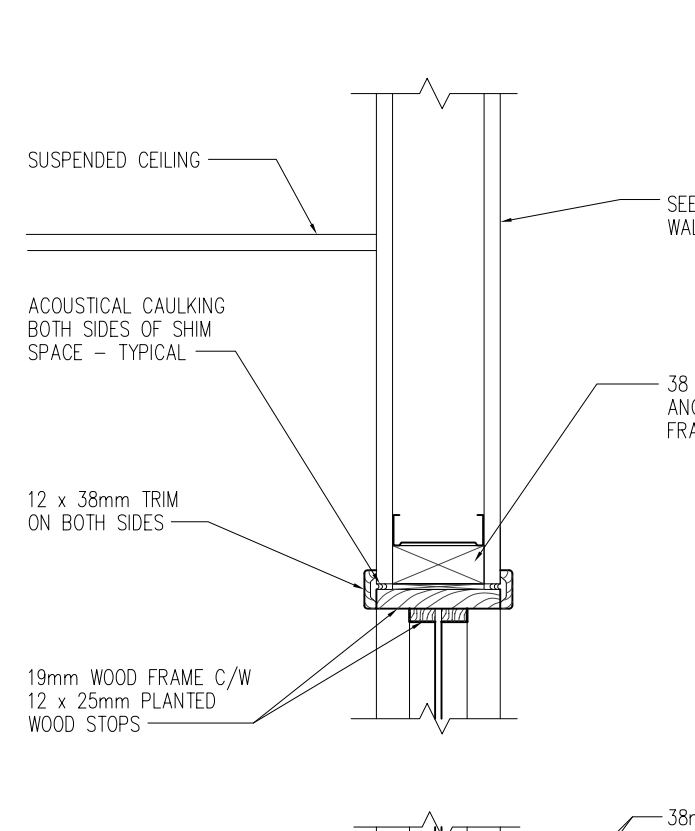
13
 A10.2
 HEAD DETAIL AT BC.WW-01
 SCALE 1:1.5



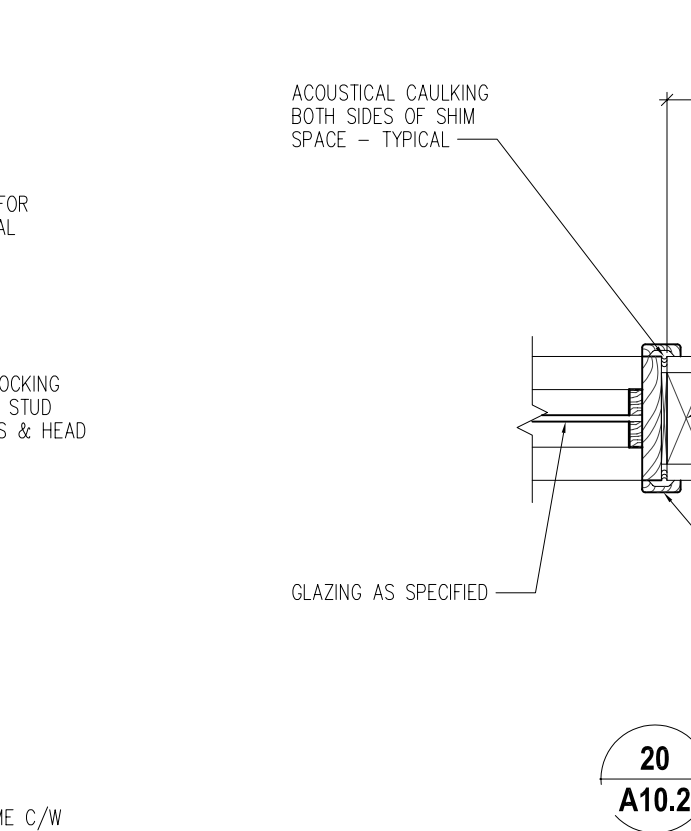
17
 A10.2
 TYPICAL WOOD SIDE LITE
 SCALE 1:1.5



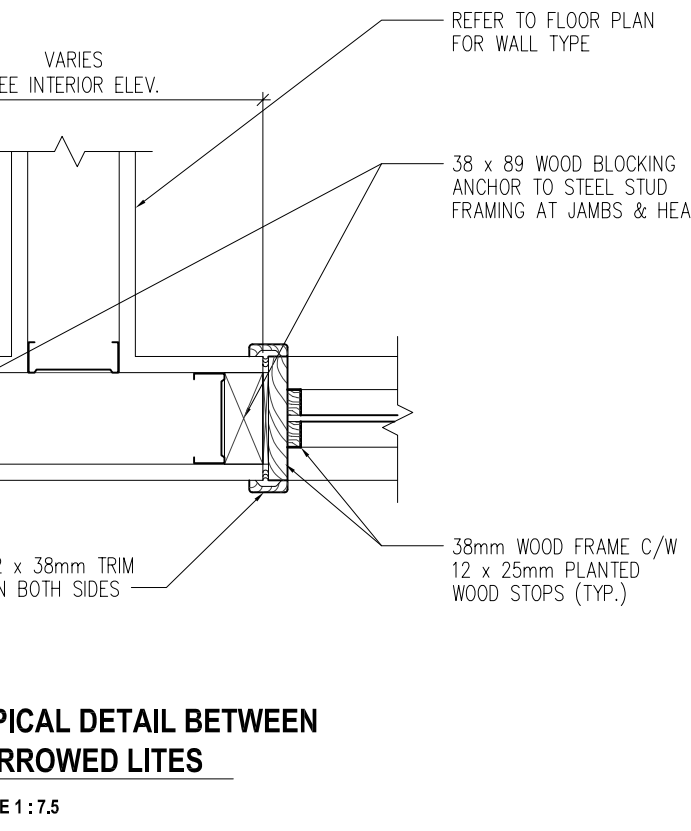
18
 A10.2
 DETAIL AT DOOR HEAD AND TRANSOM
 SCALE 1:1.5



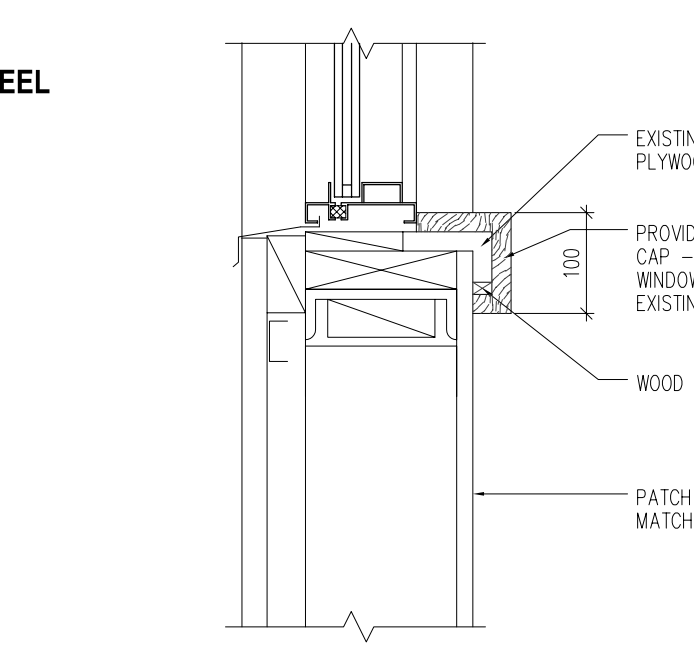
20
 A10.2
 TYPICAL DETAIL BETWEEN BORROWED LITES
 SCALE 1:1.5



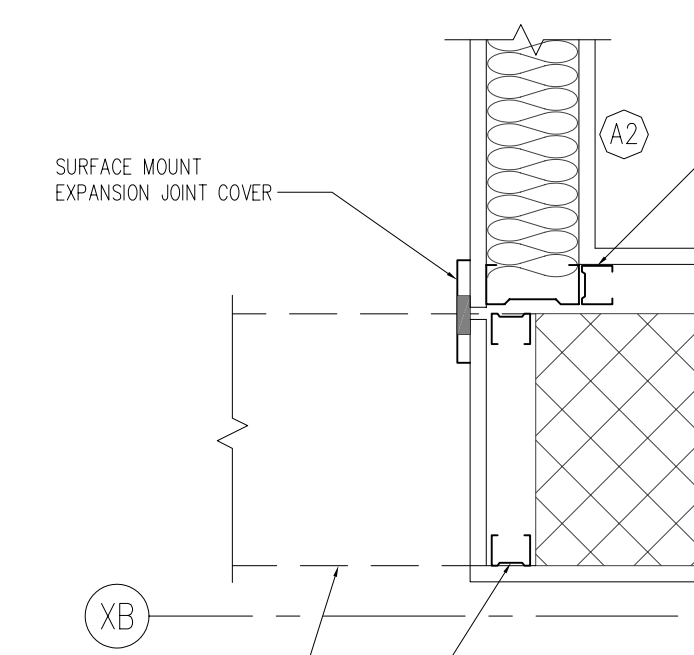
19
 A10.2
 DOOR JAMB AND SIDE LITE
 SCALE 1:1.5



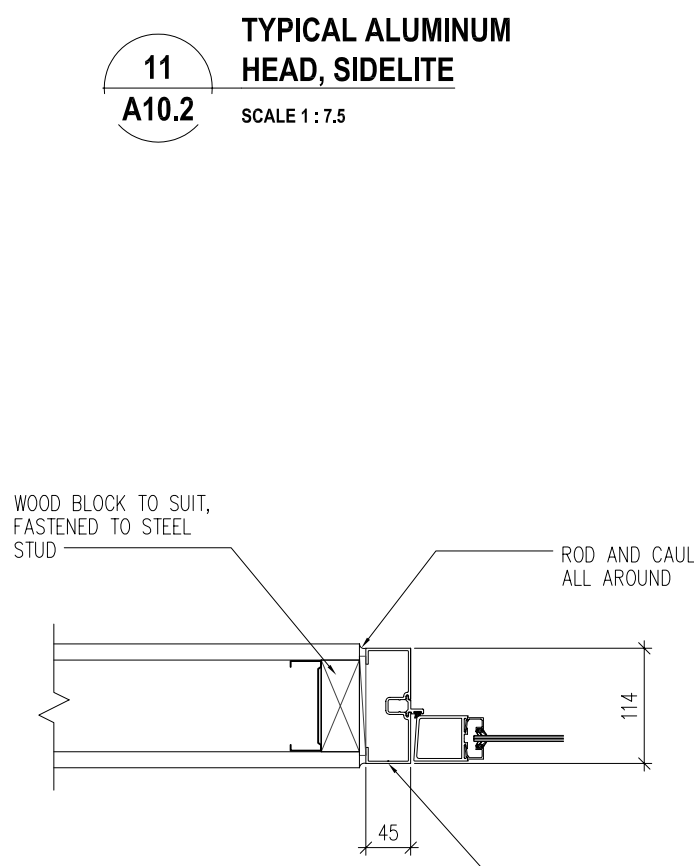
22
 A10.2
 ADJACENT STRUCT. COLUMNS BORROWED LITES
 SCALE 1:1.5



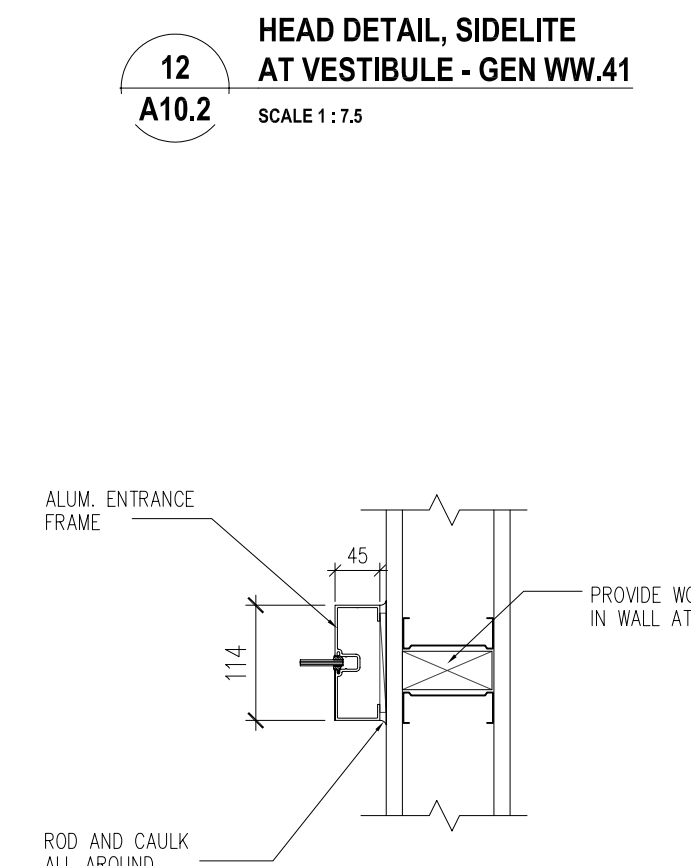
23
 A10.2
 SILL DETAIL AT EXISTING WINDOW
 SCALE 1:1.5



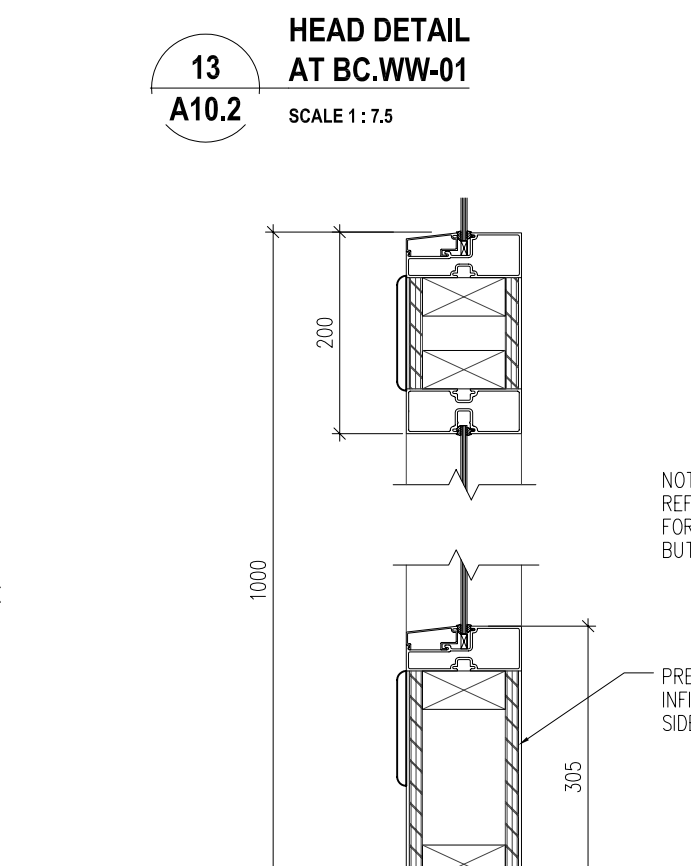
24
 A10.2
 DETAIL AT NEW OPENING
 SCALE 1:1.5



14
 A10.2
 INTERIOR ALUMINUM DOOR JAMB
 SCALE 1:1.5



15
 A10.2
 INTERIOR ALUMINUM SIDE LITE FRAME
 SCALE 1:1.5



16
 A10.2
 INTERIOR ALUMINUM SIDE LITE MULLION AND BASE
 SCALE 1:1.5