

FOR CONTINUATION, REFER TO DRAWING E2.7

Friesen Tokar Architects
 200 - 2033 Portage Avenue
 Winnipeg, Canada R3J 0K8
 Tel. 204.885.9223
 Fax. 204.831.7235

PROJECT: AA/RC
 DRAWN BY: CB
 DATE: APRIL 2004
 PROJECT NO.: 01716
 PROJECT NAME:

REVISIONS:
 1. ISSUED FOR 50% REVIEW
 FEBRUARY 4, 2004
 2. ISSUED FOR 75% REVIEW
 MARCH 5, 2004
 3. ISSUED FOR PRETENDER REVIEW
 APRIL, 2004
 4. ISSUED FOR TENDER
 MAY 14, 2004

REVISION 2: GENERAL REVISION

02-018-01

SMS ENGINEERING
 SMS Engineering Ltd. Consulting Engineers
 770 Ross Street Winnipeg MB Canada R2N 0S6
 Telephone: 204.778.0809 Fax: 204.772.9183
 smseng.com

ORIGINAL CONTRACT DRAWING
 BONDED AND SEALED BY
 ANDY LOHSE, P.ENG.
 MAY 13, 2004

APEGM
 Certificate of Authorization
 SMS Engineering Ltd.
 No. 106 Expiry April 30, 2005

Drawings and specifications, as instruments of service are the property of the architect and copyright in the same being retained by the architect. No reproduction may be made without the permission of the architect and where made, must bear his name. All rights in the information are reserved. The contractor shall verify dimensions and data noted herein with conditions on the site and be held responsible for reporting any discrepancies to the architect for adjustment. This drawing shall not be used for building purposes until countersigned by:

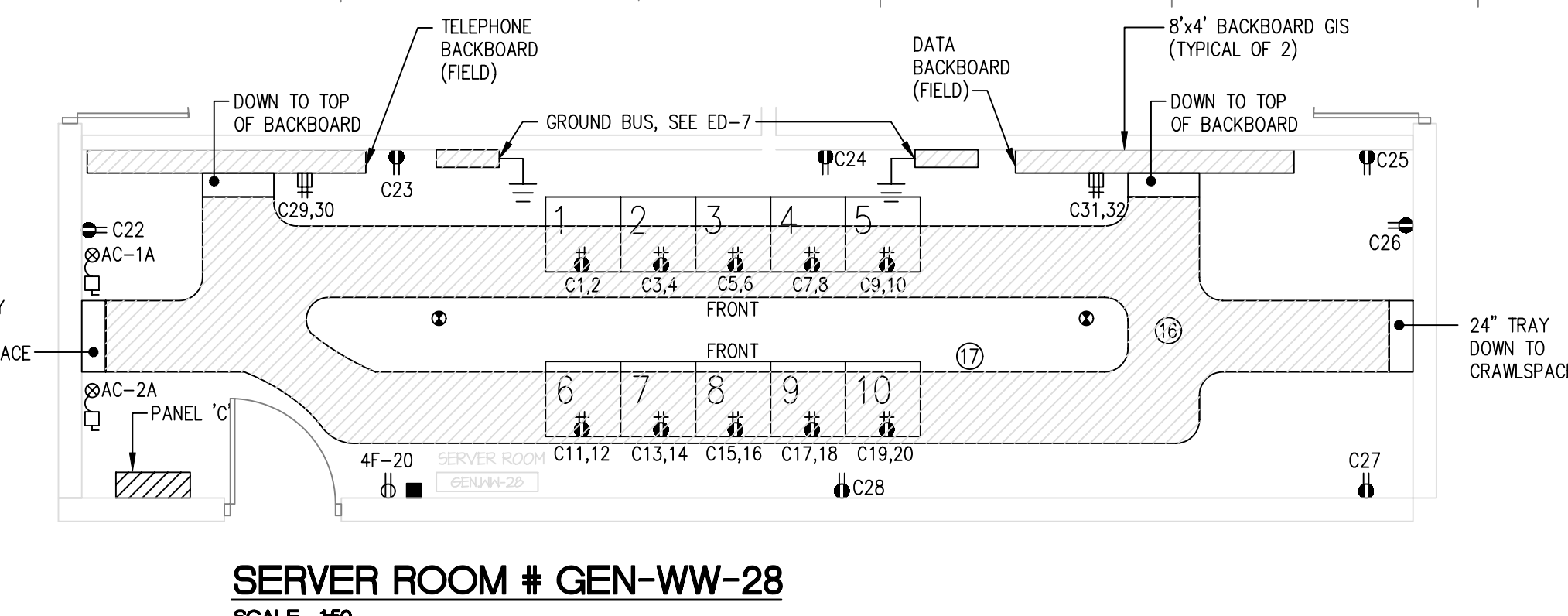
THE CITY OF WINNIPEG

OFFICE ADDITION AND RENOVATIONS
 1155 PACIFIC AVENUE
 WINNIPEG, MANITOBA

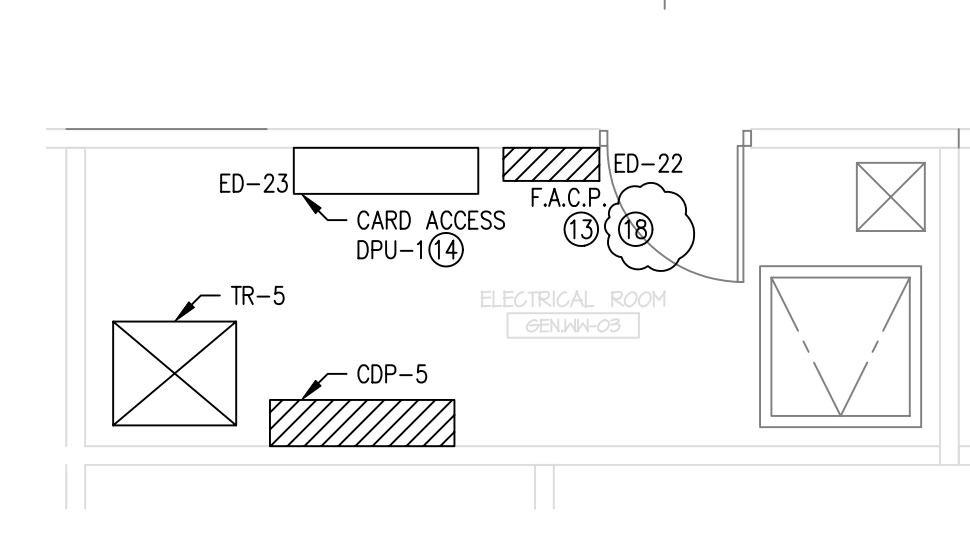
FRIESEN TOKAR ARCHITECTS

MAIN FLOOR PLAN
 POWER AND SYSTEMS
E2.6R1

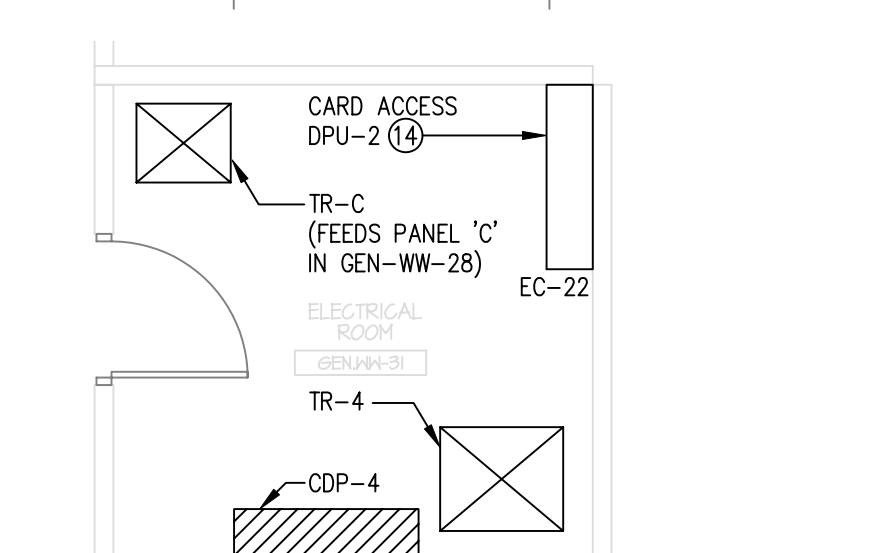
PART MAIN FLOOR PLAN - PART C - POWER AND SYSTEMS
 SCALE 1/50



SERVER ROOM # GEN-WW-28
 SCALE 1/50



ELECTRICAL ROOM # GEN-WW-03
 SCALE 1/50



ELECTRICAL ROOM # GEN-WW-31
 SCALE 1/50

- NOTES:
- 1" RML COMPLETE WITH HEAT TRACE CABLE FOR 10' LENGTH OF PIPE. HEAT TRACE IS INSTALLED ON PIPE EXTERIOR.
 - SUMP PUMP DISCHARGE LINE HEAT TRACE 10' LENGTH OF PIPE.
 - 8" RML COMPLETE WITH HEAT TRACE CABLE FOR 10' LENGTH OF PIPE. HEAT TRACE IS INSTALLED ON PIPE EXTERIOR.
 - 120V CIRCUIT FOR MOTORIZED PROJECTOR SCREEN. WIRE AND CONNECT AS REQUIRED.
 - 120V CIRCUIT FOR CEILING MOUNTED PROJECTOR. CEILING MOUNTED OUTLET BOX C/W FACEPLATE. 'X' ENT DOWN TO WALL MOUNTED OUTLET BOX. PROVIDE FACEPLATES C/W 1" BUSHED HOLE AND PULLSTRINGS.
 - THERMOSTAT DOWN TO FC-7 IN CRAMSPACE.
 - THERMOSTAT DOWN TO FC-8 IN CRAMSPACE.
 - THERMOSTAT DOWN TO FC-9 IN CRAMSPACE.
 - HUMIDIFIER MOUNTED IN CEILING SPACE.
 - PRE-ACTION SPRINKLER SYSTEM PRESSURE SWITCH, SOLENOID AND COMPRESSOR. PROGRAM TO ACTIVATE SOUND IF BOTH SMOKE DETECTORS IN ROOM GEN-WW-28 OR GEN-WW-24 ACTIVATE OR IF THE MANUAL STATION IN GEN-WW-28 OR GEN-WW-24 IS PULLED.
 - 120V CONNECTION TO CONTROL TRANSFORMER FOR MECHANICAL CONTROLS.
 - PROVIDE ADDRESSABLE RELAY TO RELEASE DOOR HOLDER ON FIRE ALARM SIGNAL.
 - FACEP TO BE COMPLETE WITH 347-120V CONTROL TRANSFORMER OF ADEQUATE CAPACITY.
 - DPU-1 TO BE COMPLETE WITH 347-120V CONTROL TRANSFORMER OF ADEQUATE CAPACITY.
 - PEDISTAL MOUNTED OUTLETS, EXACT LOCATION TO BE DETERMINED ON SITE, MOUNT AS CLOSE AS POSSIBLE TO EXTERIOR WALLS (TYPICAL).
 - 24" WIDE CABLE TRAY MOUNTED ABOVE LAN RACKS (AT APPROXIMATELY 8" A.F.F.).
 - REFER TO DETAIL SHEET ED-4. CONFIRM RACK LAYOUT WITH OWNER PRIOR TO FIT-UP (10 RACKS).
 - PROVIDE 2 ADDRESSABLE MODULES AT FACEP.
 - 1 TO PROVIDE FACEP "TROUBLE"
 - 1 TO PROVIDE FACEP "ALARM"
 THESE POINTS TO BE USED BY BUILDING MANAGEMENT SYSTEM.

2018c26r2.dwg 6-21-04 10:12:34 am CST