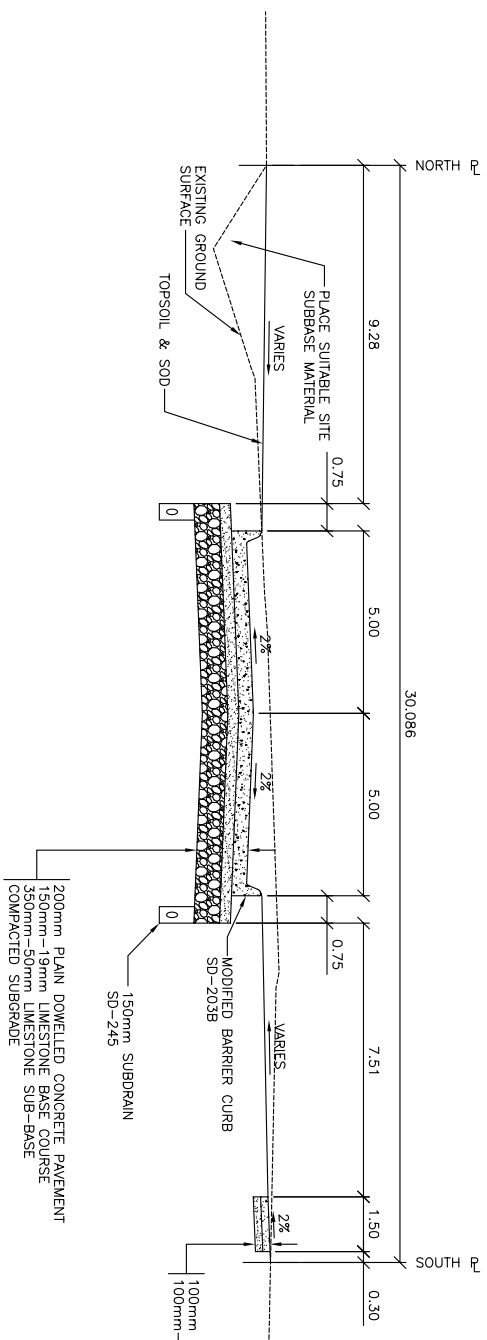
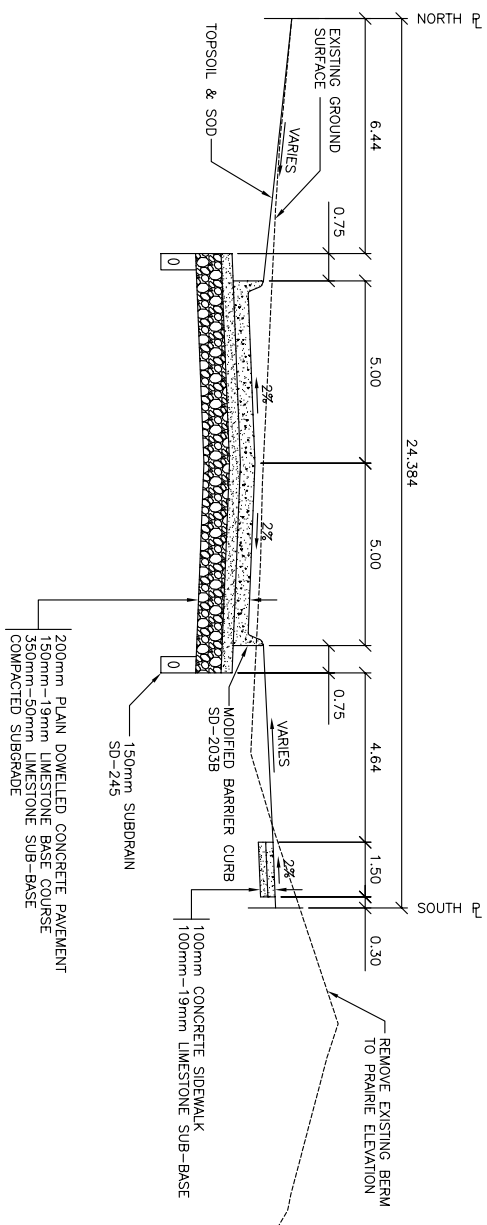


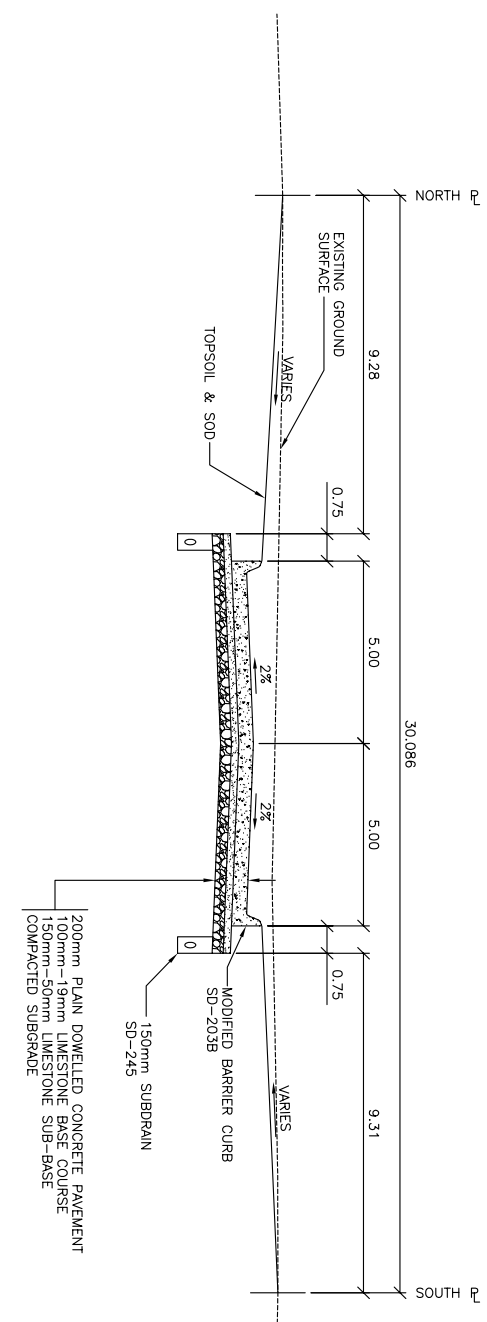
CAMEL SYS STREET
STATION 4+60.00
C0003 C0016 1 : 100H, 1 : 50V



CAMEL SYS STREET
STATION 14+20.00
C0010 C0016 1 : 100H, 1 : 50V



CAMEL SYS STREET
STATION 6+00.00
C0004 C0016 1 : 100H, 1 : 50V



DEBAETS STREET
STATION 1+06
C0013 C0016 1 : 100H, 1 : 50V

NO.	REVISIONS	DATE	BY	F.B.	B.M. ELEV.
0	ISSUED FOR BIDDING	04.04.16			

WARDROP Engineering Inc.	
DESIGNED BY S.A.M.	CHECKED BY
DRAWN BY GMD/WRA	APPROVED BY
HOR. SCALE AS NOTED	RELEASED FOR CONSTRUCTION DATE
VERTICAL	DATE 03.11.14

CONSULTANT DRAWING NO. 031294-01-00

THE CITY OF WINNIPEG
PLANNING, PROPERTY AND DEVELOPMENT

Winnipeg
2004 SAINT BONIFACE INDUSTRIAL PARK ROADWORKS
SECTIONS AND DETAILS

CITY DRAWING NUMBER
SHEET 16 OF 16
C0016

