

EXISTING	LEGEND-PLAN	PROPOSED	LEGEND-PLAN	PROPOSED	EXISTING	LEGEND-PROFILE	PROPOSED
150 WM	WATERMAIN	150 WM	HYDRO	150 WM	WATERMAIN	150 WM	
300 LDS	LAND DRAINAGE SEWER	300 LDS	M.T.S.	300 LDS	HYDRANT, VALVE	300 LDS	
250 WWS	WASTE WATER SEWER	250 WWS	CONCRETE	250 WWS	LAND DRAINAGE SEWER	250 WWS	
	MANHOLE		ASPHALT		WASTE WATER SEWER		
	CATCH BASIN		PROPERTY LINE				
	CURB INLET		CONCRETE				
	JUNCTIONS		ASPHALT				
	CULVERT		CONCRETE				
	GAS		ASPHALT				

NO.	REVISIONS	DATE	BY

NOTE: ALL EXISTING VALVE BOXES TO BE ABANDONED

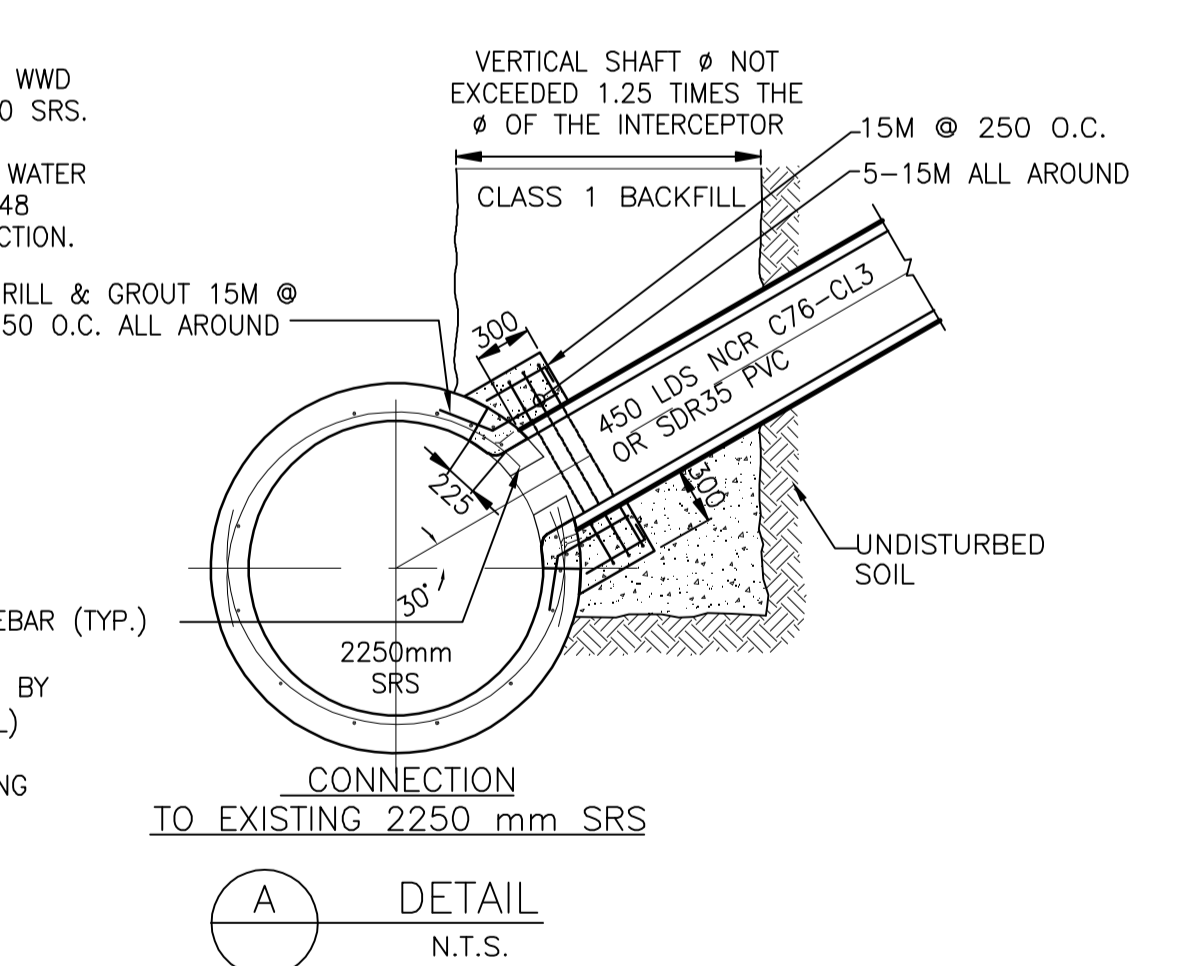
NOTE: CHAINAGES SHOWN ARE ALONG C. OF R.O.W.

NOTE: ALL VALVES TO BE INSTALLED COUNTER CLOCKWISE TO CLOSE

ADDRESS	SIZE (mm) & TYPE (STREET)	SIZE (mm) & TYPE (PROP)	SHORT & LONG MEASUREMENT	CORP LOCATION	REMARKS
436 MAIN ST. COMMERCIAL	100 CI	100 CI	7.47 SNL OF BUILDING 31.8 SSL NWL McDERMOT	SAME AS VALVE	-
456 MAIN ST. COMMERCIAL	150 PVC	150 POLY V	7.47 SNL OF BUILDING 28.19 NWL McDERMOT	SAME AS VALVE	-
460 MAIN ST. COMMERCIAL	100 CI	100 CAST IRON	3.81 NSL OF BUILDING 38.40>NNL OF McDERMOT	OPP VALVE	-
466 MAIN ST. COMMERCIAL	19mm LEAD	-	6.40 SNL OF BUILDING 27.74 SSL OF BANNATYNE	SAME AS S/C	(SERVICED OF ALBERT ST.)
466 MAIN ST. SPRINKLER UNIV.	150 CAST UNIV.	150 CAST UNIV.	7.31 EWL OF MAIN 28.37 SSL OF BANNATYNE	SAME AS VALVE	-
466 MAIN ST. (NOT IN USE)	25mm LEAD	NA	2.62 SNL OF BUILDING 24.81 SSL BANNATYNE	SAME AS S/C	-

* RENEW SERVICE

NOTE: WRITTEN APPROVAL IS REQUIRED BY WWD PRIOR TO ANY CONNECTION TO 2250 SRS. NO WORK TO COMMENCE PRIOR TO CONTACTING LARRY NORRIS OF THE WATER AND WASTE DEPARTMENT AT LEAST 48 HRS. PRIOR TO START OF CONSTRUCTION.



WARNING

IF POWER EQUIPMENT OR EXPLOSIVES ARE TO BE USED FOR EXCAVATION ON THIS PROJECT THE CONTRACTOR MUST:

- NOTIFY THE GAS COMPANY OF THE PROPOSED LOCATION OF EXCAVATION.
- TAKE PRECAUTION TO AVOID DAMAGE TO GAS COMPANY INSTALLATIONS.

SEE PROVINCIAL REGULATION 140/92 FOR DETAILS

METRIC

WHOLE NUMBERS INDICATE MILLIMETRES
DECIMALIZED NUMBERS INDICATE METRES

APECM
Certificate of Authorization
Stantec Consulting Ltd.
No. 1301 Expiry: April 30, 2004

Stantec Consulting Ltd.
905 Waverley Street, Winnipeg, Manitoba
Tel 204-489-5900 Fax 204-453-9012

DESIGNED BY: V.M. CHECKED BY: C.L.D.
DRAWN BY: T.G./V.M. APPROVED BY: C.L.D.

HOR. SCALE: 1:250
VERTICAL: 1:50

RELEASED FOR ORIGINAL CONSTRUCTION: SIGNED BY: K. ZUREK

CONSULTANT DRAWING NO. **CW-51-599**

THE CITY OF WINNIPEG
WATER AND WASTE DEPARTMENT

WATERMAIN RENEWALS (WEST SIDE)
STORM RELIEF WORKS AND CS RENEWAL
LOMBARD AVE. TO ALEXANDER AVENUE
STA. 2+00 TO STA. 3+25

SHEET **2** OF **7**
CAD FILE DRAWING NUMBER **CW-WM-599 DWG**
CITY DRAWING NUMBER **D-8468**

V:\137\wma\113702090-2004 Main Street Reconstruction - Southbound\Acad\DW-WM-599.dwg
2004-03-24 02:27PM By: hromano