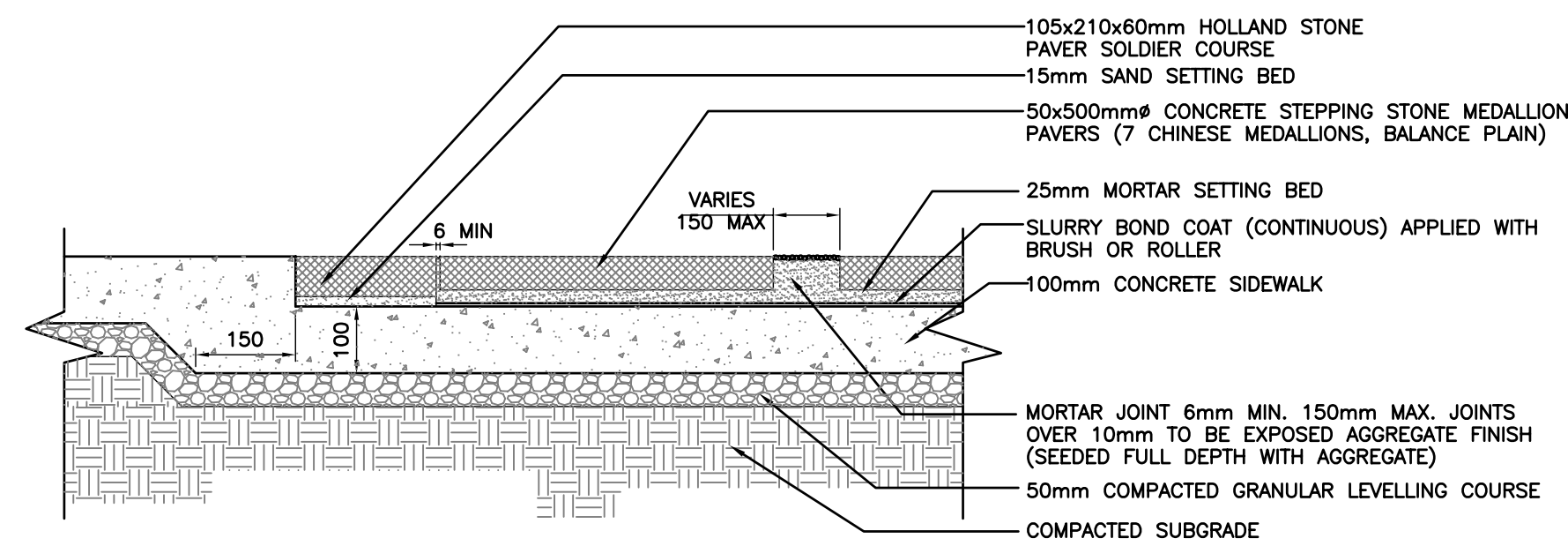
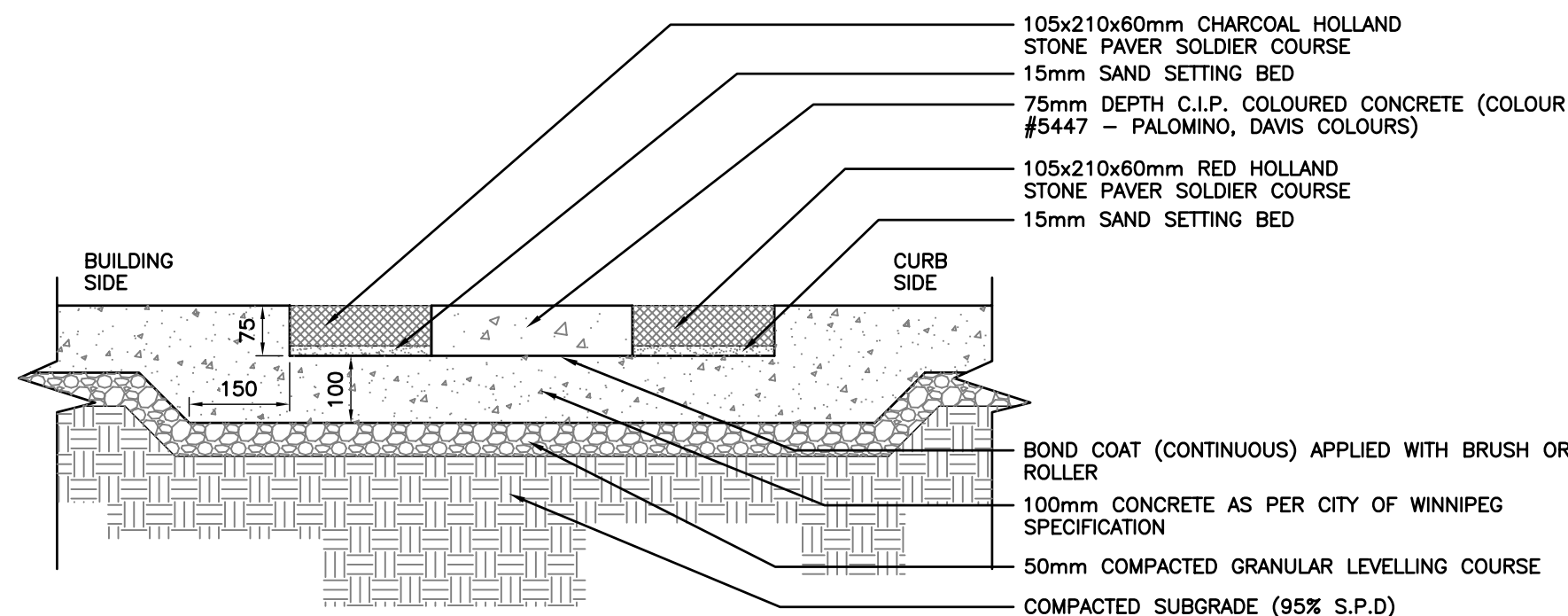


CHINESE CULTURAL MEDALLION

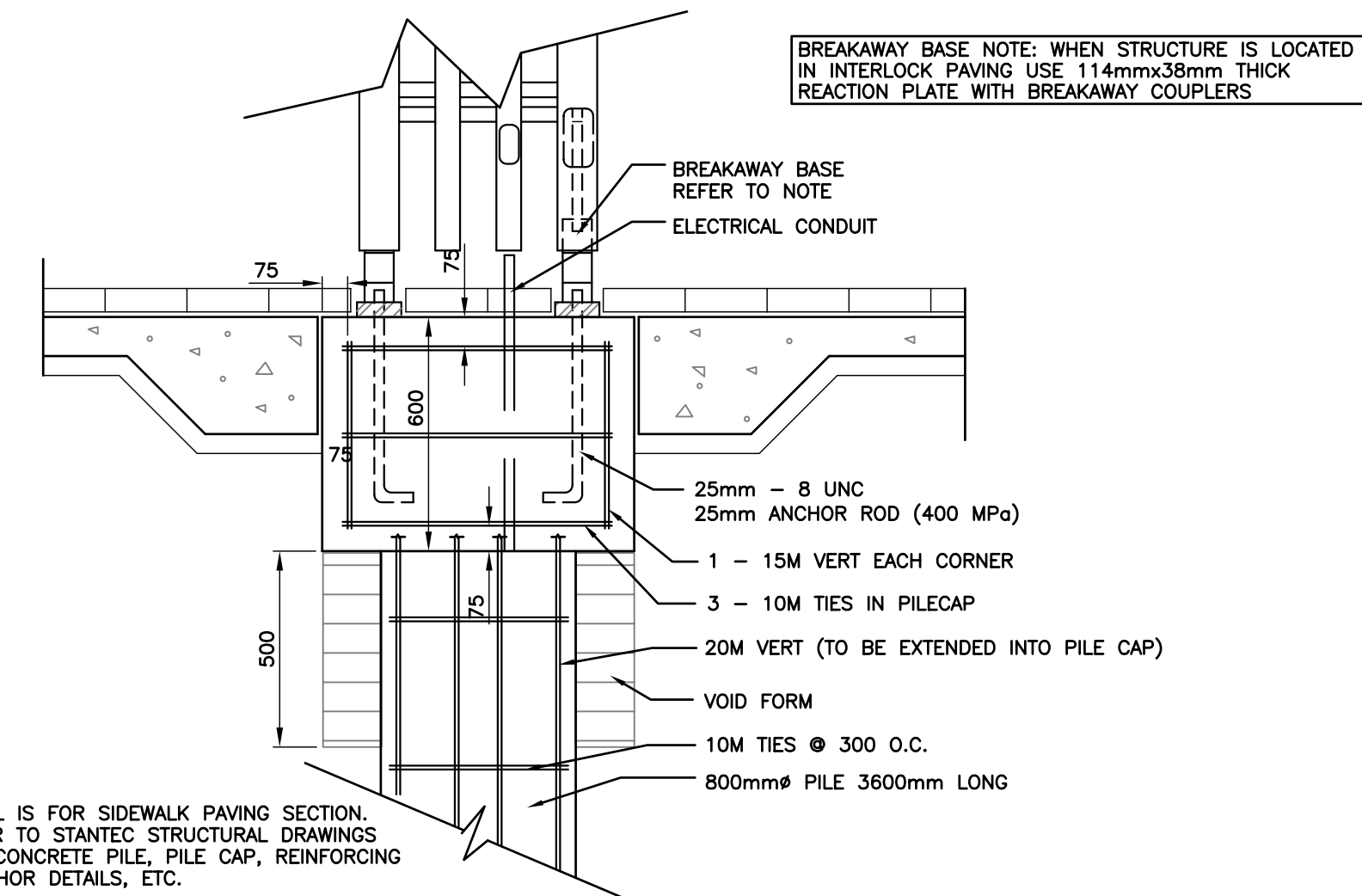
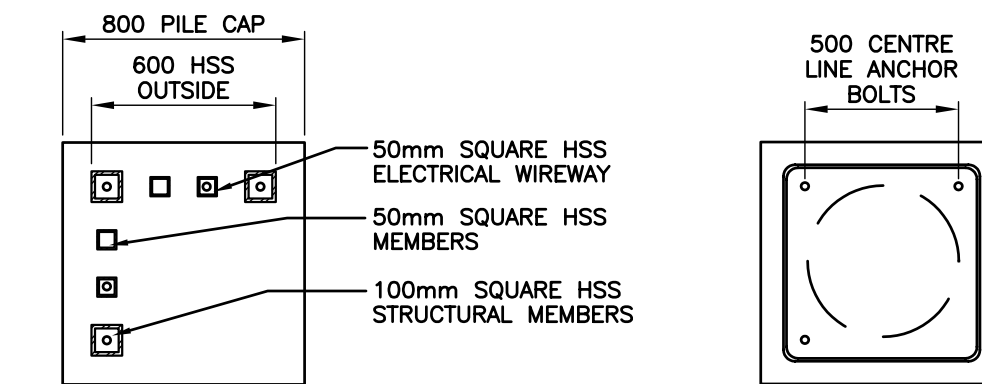


NOTE:
ONLY PLAIN CONCRETE STEPPING STONE MEDALLION PAVERS TO BE CUT TO FIT PAVING AREA. REFER TO ENLARGEMENT 10 ON L7

31 STEPPING STONES ON CONCRETE SIDEWALK
L5 N.T.S.

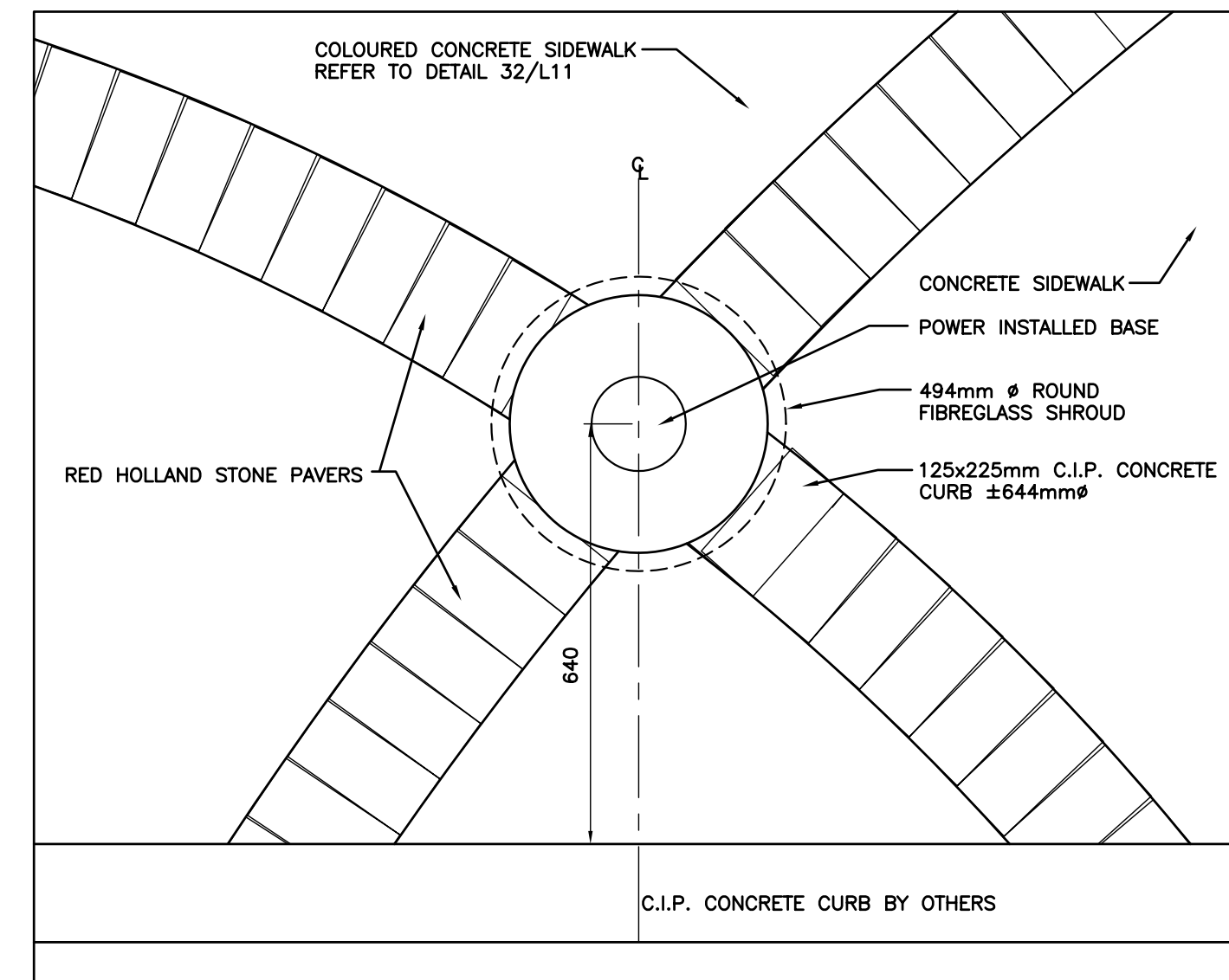


32 COLOURED CONCRETE 'WAVE PAVING' SECTION
L5 N.T.S.



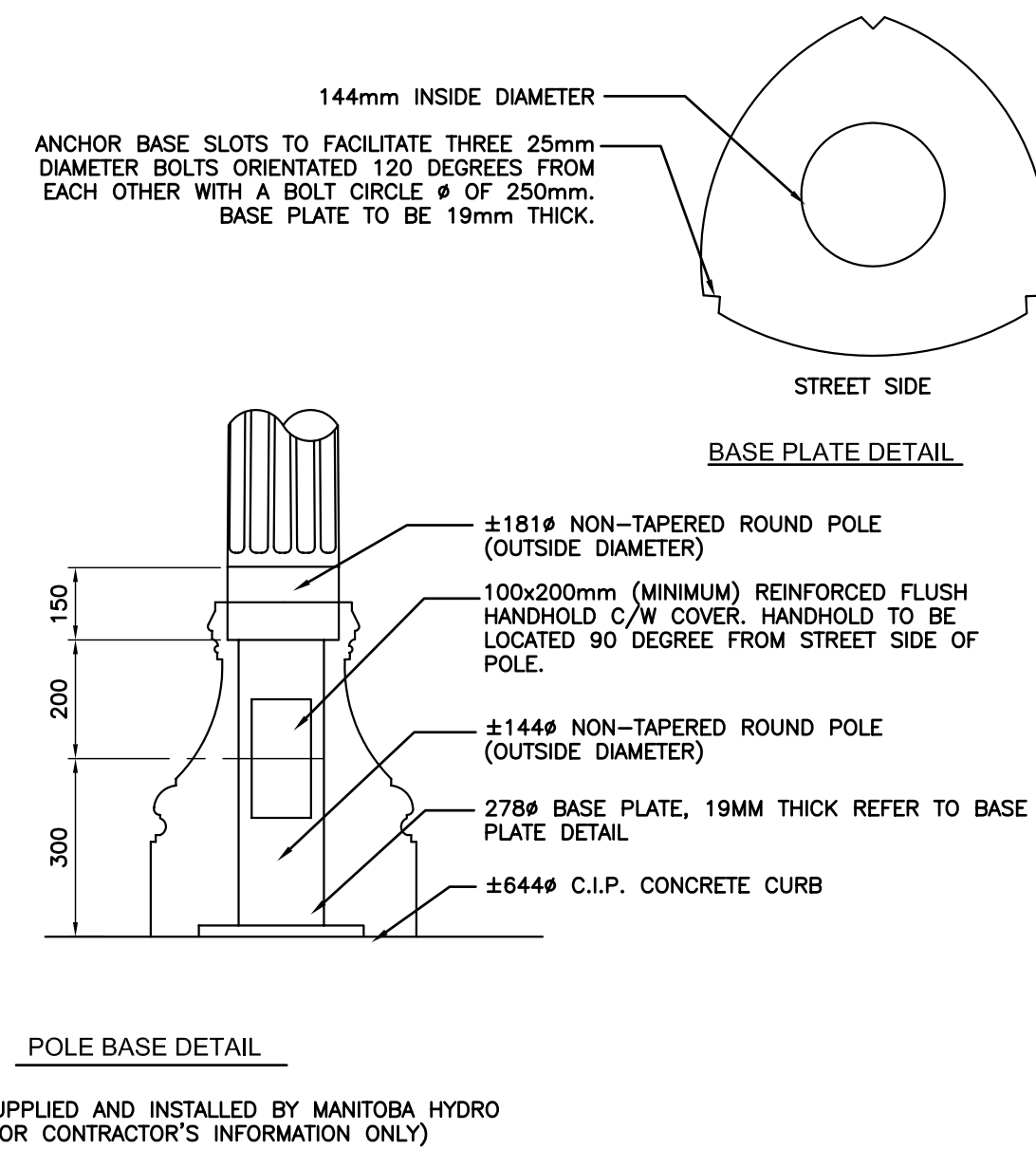
DETAIL IS FOR SIDEWALK PAVING SECTION. REFER TO STANTEC STRUCTURAL DRAWINGS FOR CONCRETE PILE, PILE CAP, REINFORCING ANCHOR DETAILS, ETC.

33 CONCRETE BASE FOR ILLUMINATED SIGNAGE STRUCTURE
L6 N.T.S.



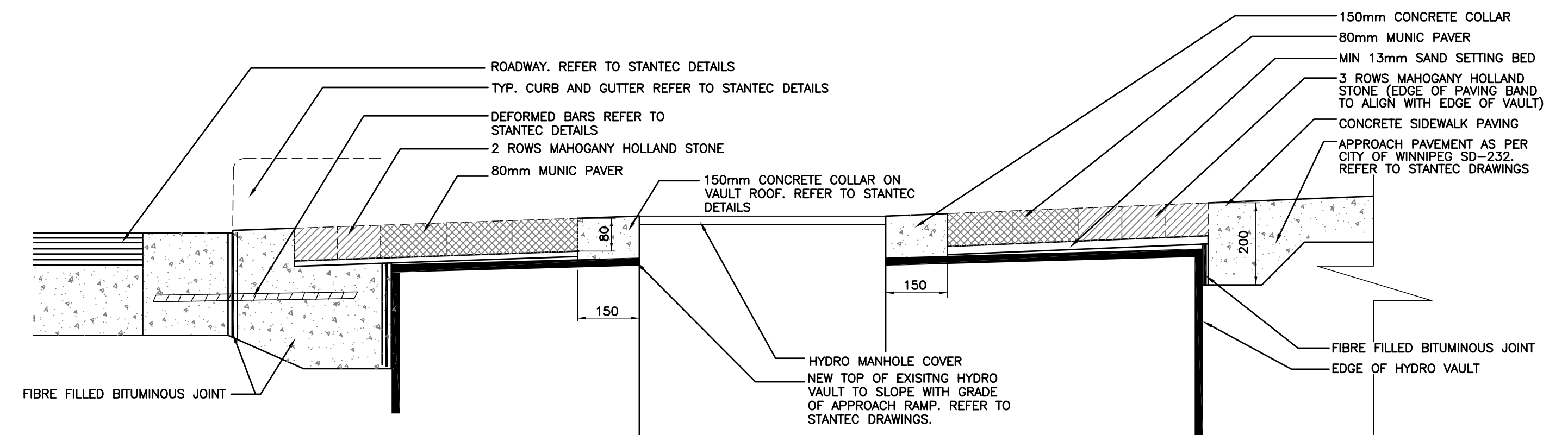
PLAN

34 CONCRETE CURB FOR PEDESTRIAN LIGHT
L7 N.T.S.



POLE BASE DETAIL

SUPPLIED AND INSTALLED BY MANITOBA HYDRO (FOR CONTRACTOR'S INFORMATION ONLY)



43 'CROCUS BUILDING' CONCRETE APPROACH WITH INTERLOCK PAVER AND BRICK
L2

LOCATION APPROVED UNDERGROUND STRUCTURES

SUPV. U/G STRUCTURES COMMITTEE DATE

NOTE:
LOCATION OF UNDERGROUND STRUCTURES AS SHOWN ARE BASED ON THE BEST INFORMATION AVAILABLE BUT NO GUARANTEE IS GIVEN THAT ALL EXISTING UTILITIES ARE SHOWN OR THAT THE GIVEN LOCATIONS ARE EXACT. CONFIRMATION OF EXISTENCE AND EXACT LOCATION OF ALL SERVICES MUST BE OBTAINED FROM THE INDIVIDUAL UTILITIES BEFORE PROCEEDING WITH CONSTRUCTION.

NO.	REVISIONS	DATE	BY	DATE	BY
2	RELEASED FOR TENDER	23/02/04	SR		
1	RELEASED FOR CITY APPROVAL	20/02/04	SR		
				23/03/04	

DESIGNED BY	SR/JW	CHECKED BY	SR
DRAWN BY	JW/IG	APPROVED BY	DP/FC
HOR. SCALE:	AS NOTED	RELEASED FOR CONSTRUCTION:	ORIGINALY SIGNED BY FRED COSEY ON MARCH 25, 2004
VERTICAL:	N/A	DATE	23/03/04

McGOWAN RUSSELL
ENGINEER'S ASSOCIATION OF MANITOBA
SUSAN L. RUSSELL
member no. 71

THE CITY OF WINNIPEG
PUBLIC WORKS DEPARTMENT
STREETS ENGINEERING DIVISION
MAIN ST. STREETSCAPING
LOMBARD AVE TO DISRAELI FREEWAY
WEST SIDE
DETAILS

SHEET 26 OF 27
CAD FILE DRAWING NUMBER MAN2003-L11WIG
CITY DRAWING NUMBER P-3247-26