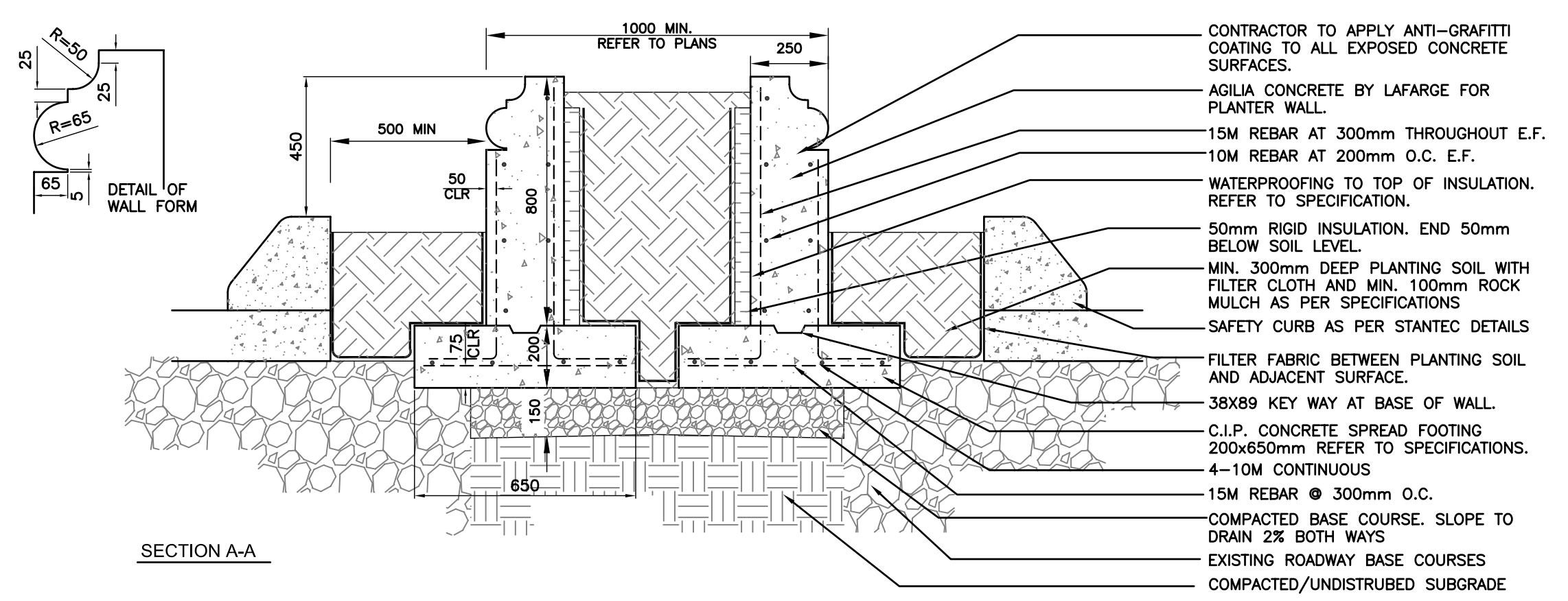


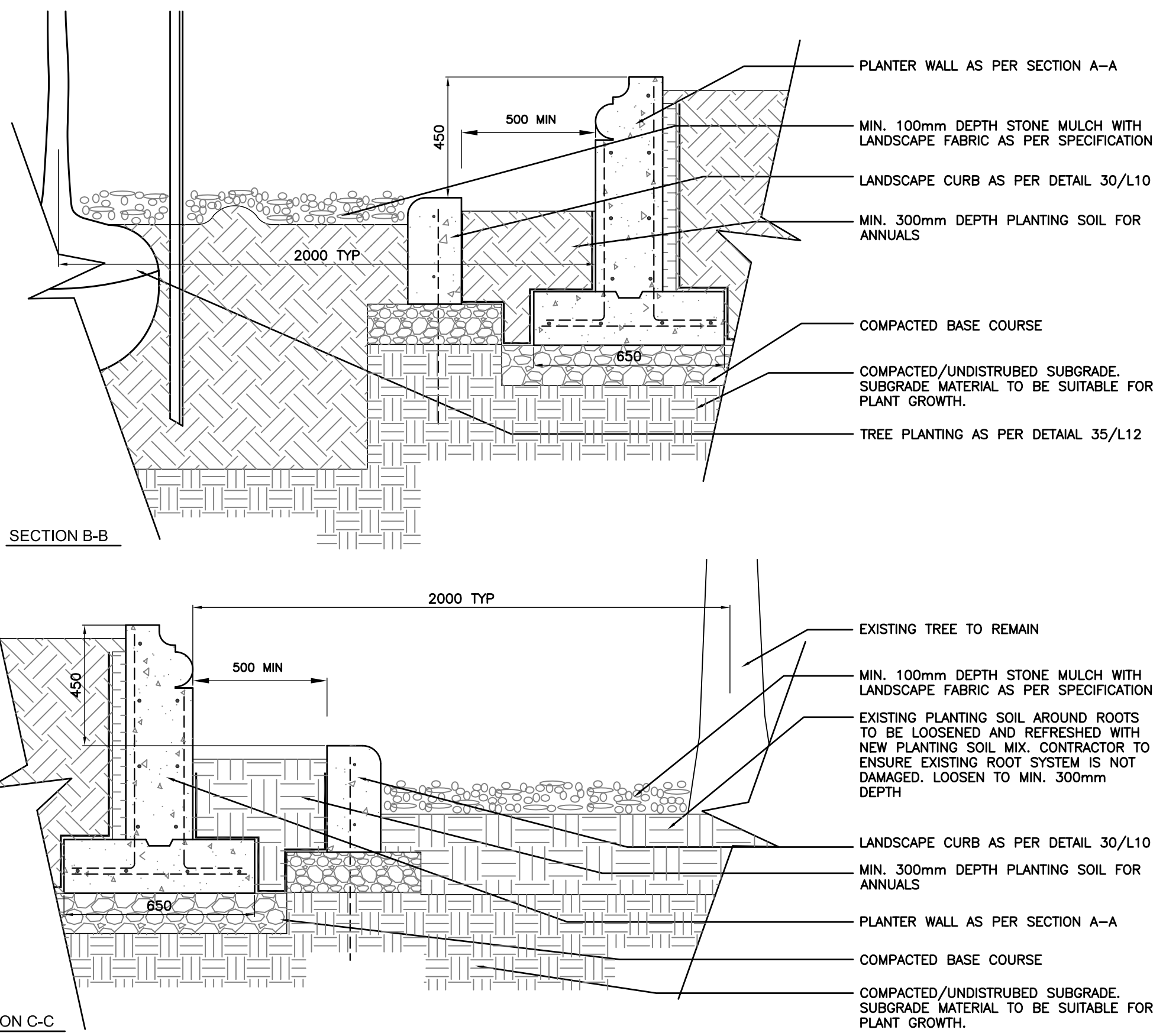
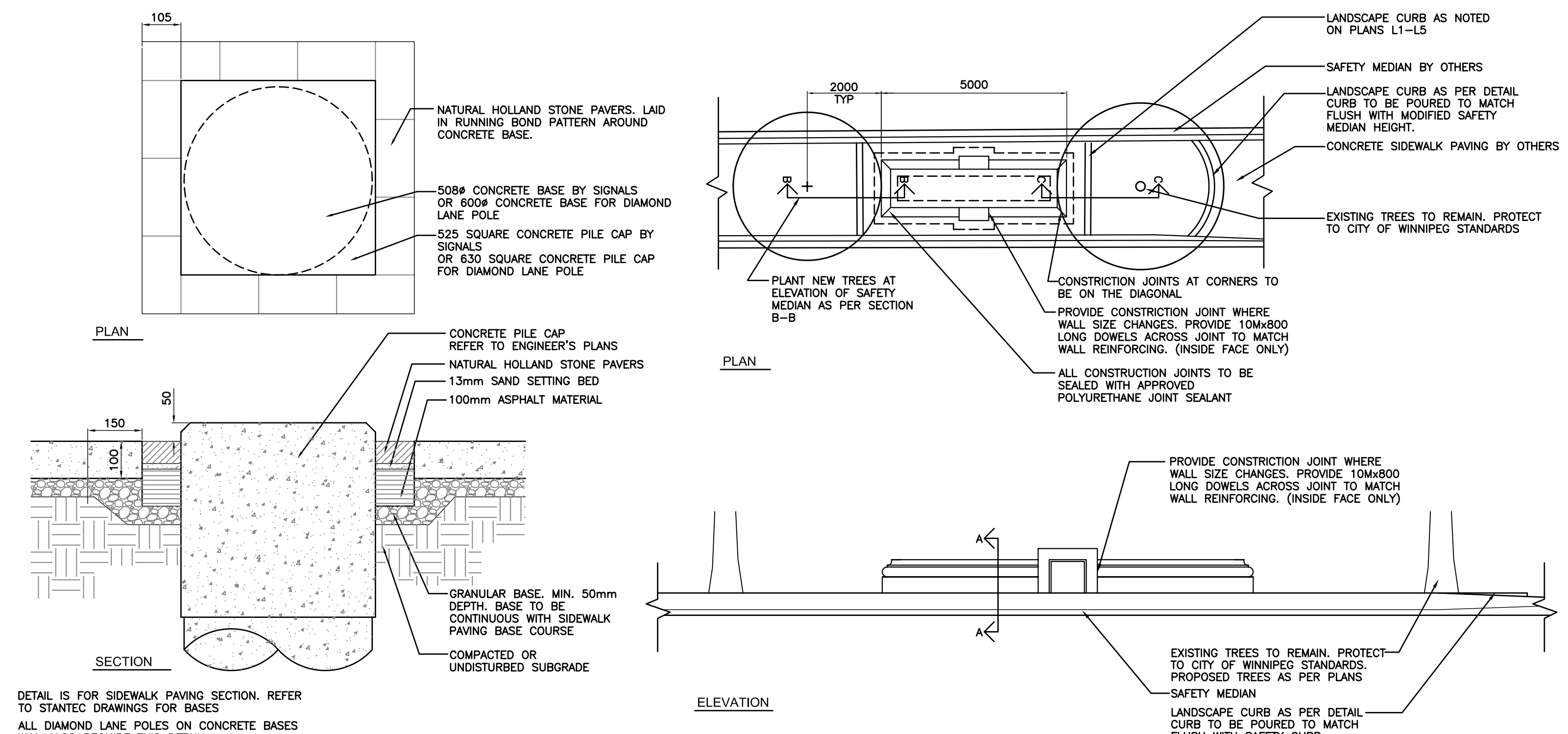
27 MONOLITHIC COLLAR FOR HERITAGE LIGHT POLE BASES - WILLIAM AVE NORTH

L1 1:75



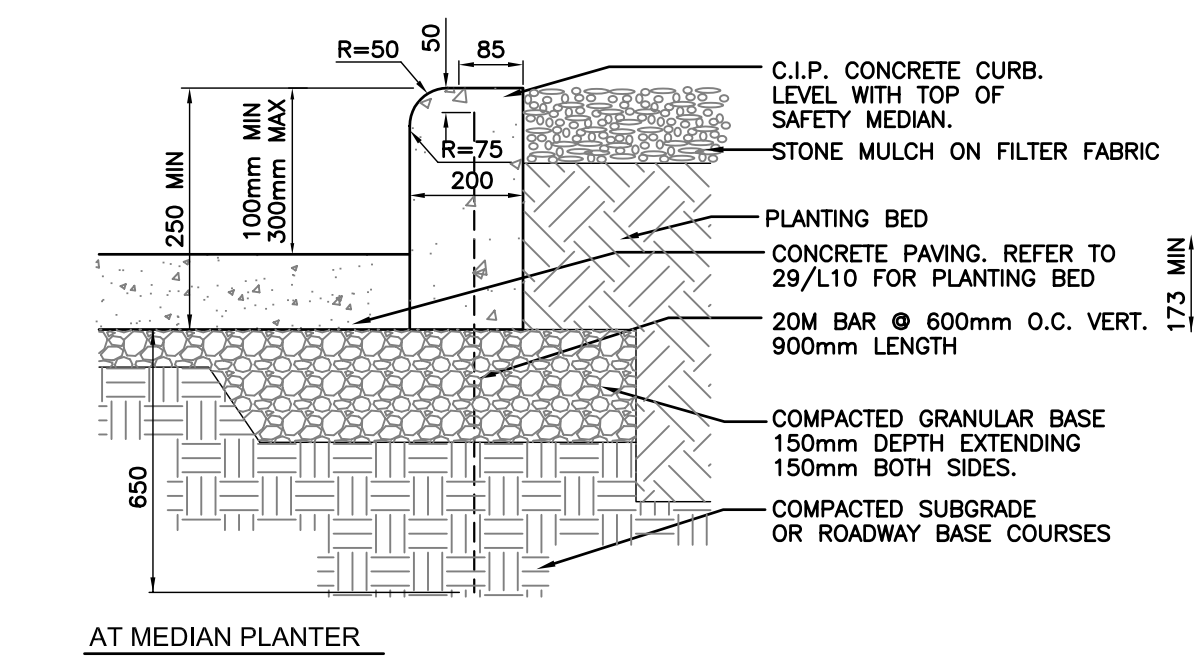
26 MONOLITHIC COLLAR FOR HERITAGE LIGHT AND DIAMOND LANE POLE BASES - WILLIAM AVE SOUTH

L1 1:75



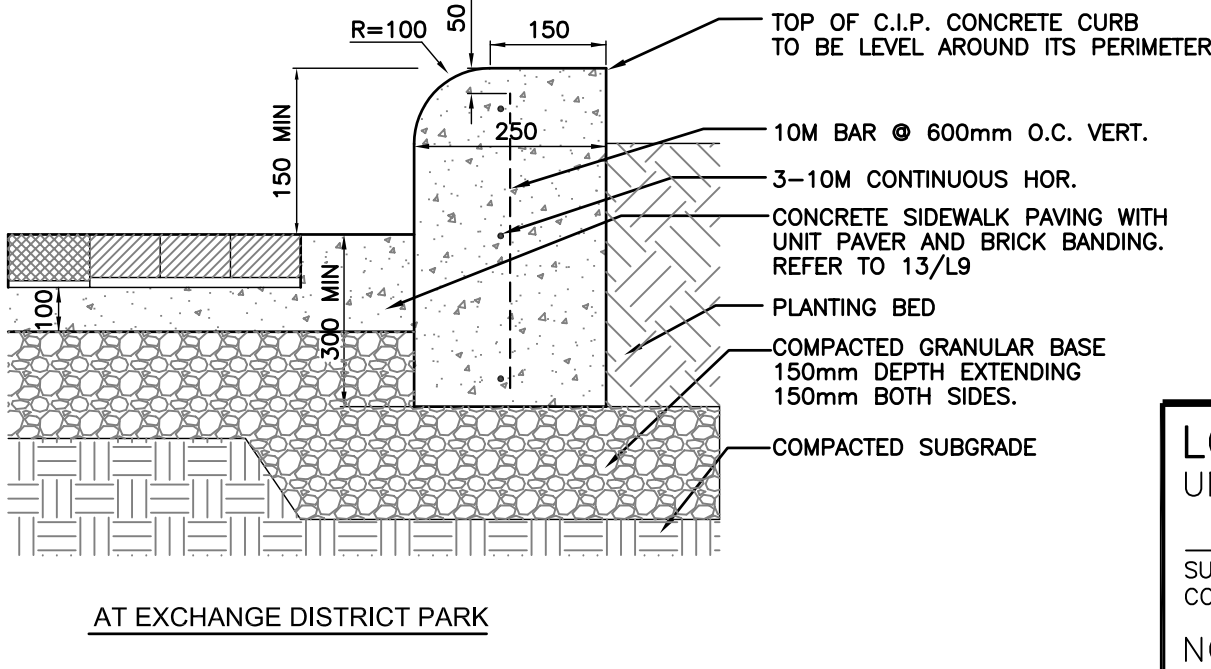
28 ISOLATION

L1 N.T.S.



29 C.I.P. CONCRETE MEDIAN PLANTER

L2 N.T.S.

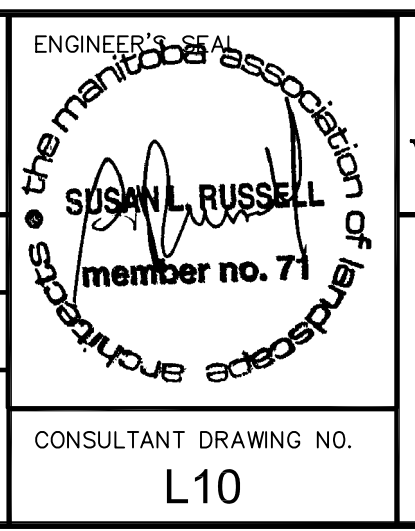


30 LANDSCAPE CURB

L2 1:75

LOCATION APPROVED UNDERGROUND STRUCTURES		B.M. ELEV.
SUPV. U/G STRUCTURES COMMITTEE	DATE	
NOTE: LOCATION OF UNDERGROUND STRUCTURES AS SHOWN ARE BASED ON THE BEST INFORMATION AVAILABLE BUT NO GUARANTEE IS GIVEN THAT ALL EXISTING UTILITIES ARE SHOWN OR THAT THE GIVEN LOCATIONS ARE EXACT. CONFIRMATION OF EXISTENCE AND EXACT LOCATION OF ALL SERVICES MUST BE OBTAINED FROM THE INDIVIDUAL UTILITIES BEFORE PROCEEDING WITH CONSTRUCTION.		
NO.	REVISIONS	DATE BY
2	RELEASED FOR TENDER	23/03/04 SR
1	RELEASED FOR CITY APPROVAL	20/02/04 SR
DATE	23/03/04	

DESIGNED BY		CHECKED BY	
SR/JW		SR	
DRAWN BY		APPROVED BY	
JW/IG		DP/FC	
HOR. SCALE:	AS NOTED	RELEASED FOR CONSTRUCTION:	
VERTICAL:	N/A	ORIGINALLY SIGNED BY:	FRED CORDELL ON MARCH 25, 2004
DATE	23/03/04	DATE	



THE CITY OF WINNIPEG
PUBLIC WORKS DEPARTMENT
STREETS ENGINEERING DIVISION

Winnipeg

MAIN ST. STREETSCAPING
LOMBARD AVE TO DISRAELI FREEWAY
WEST SIDE
DETAILS

SHEET 25 OF 27
CAD FILE DRAWING NUMBER MAN2003-L10W6
CITY DRAWING NUMBER P-3247-25

CONSULTANT DRAWING NO. L10