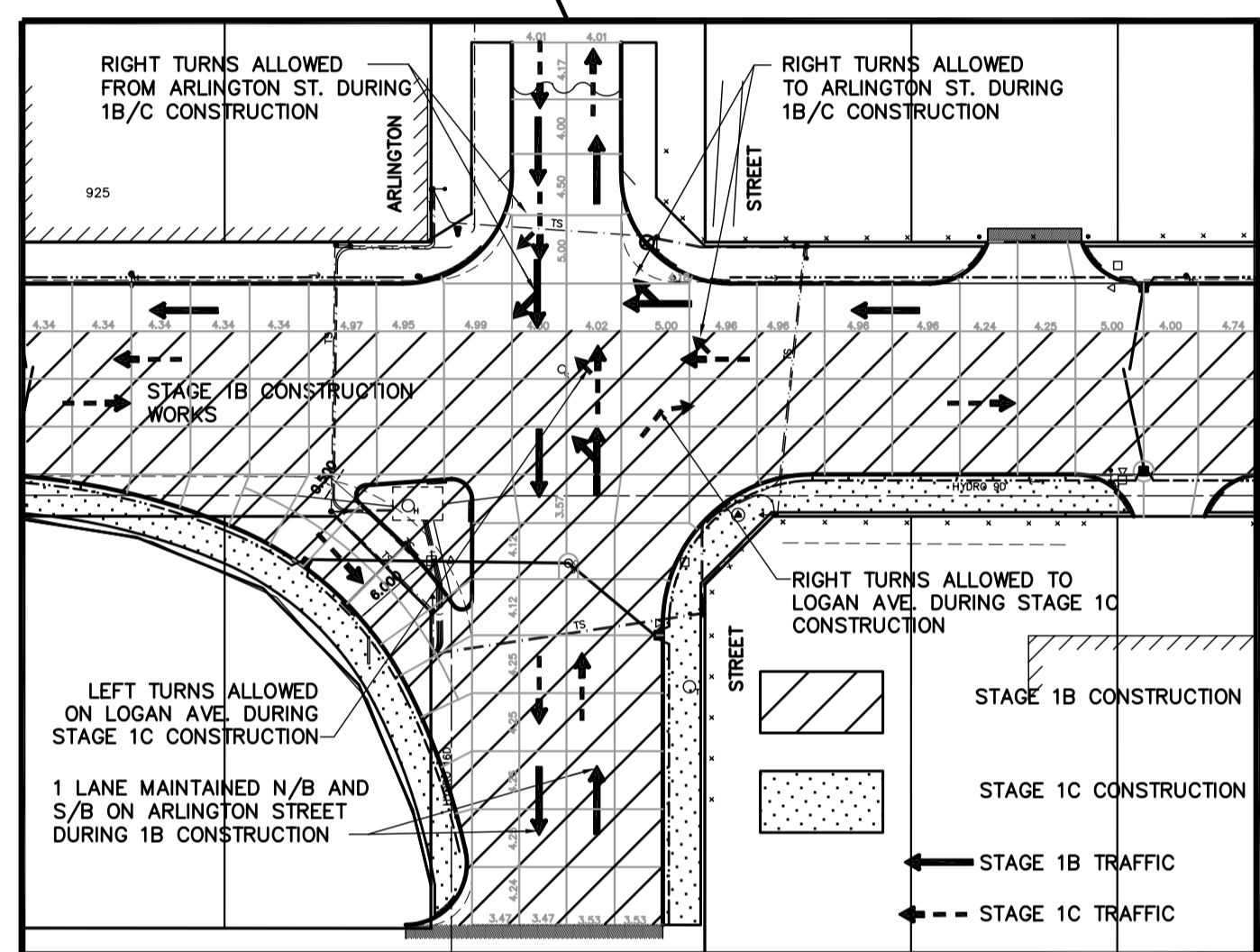
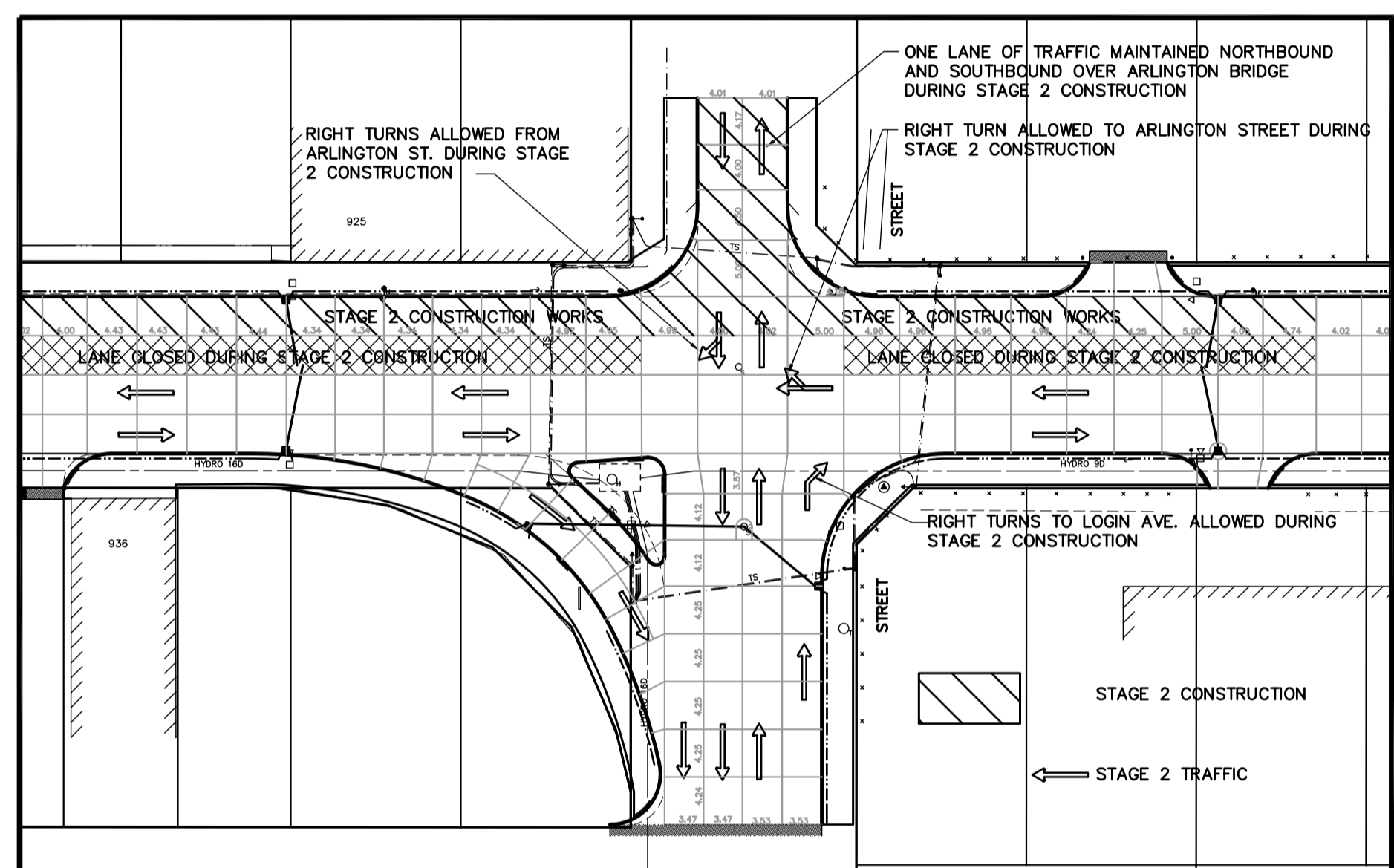


TRINITY STREET (RAILWAY) & LOGAN AVENUE STAGING DETAIL



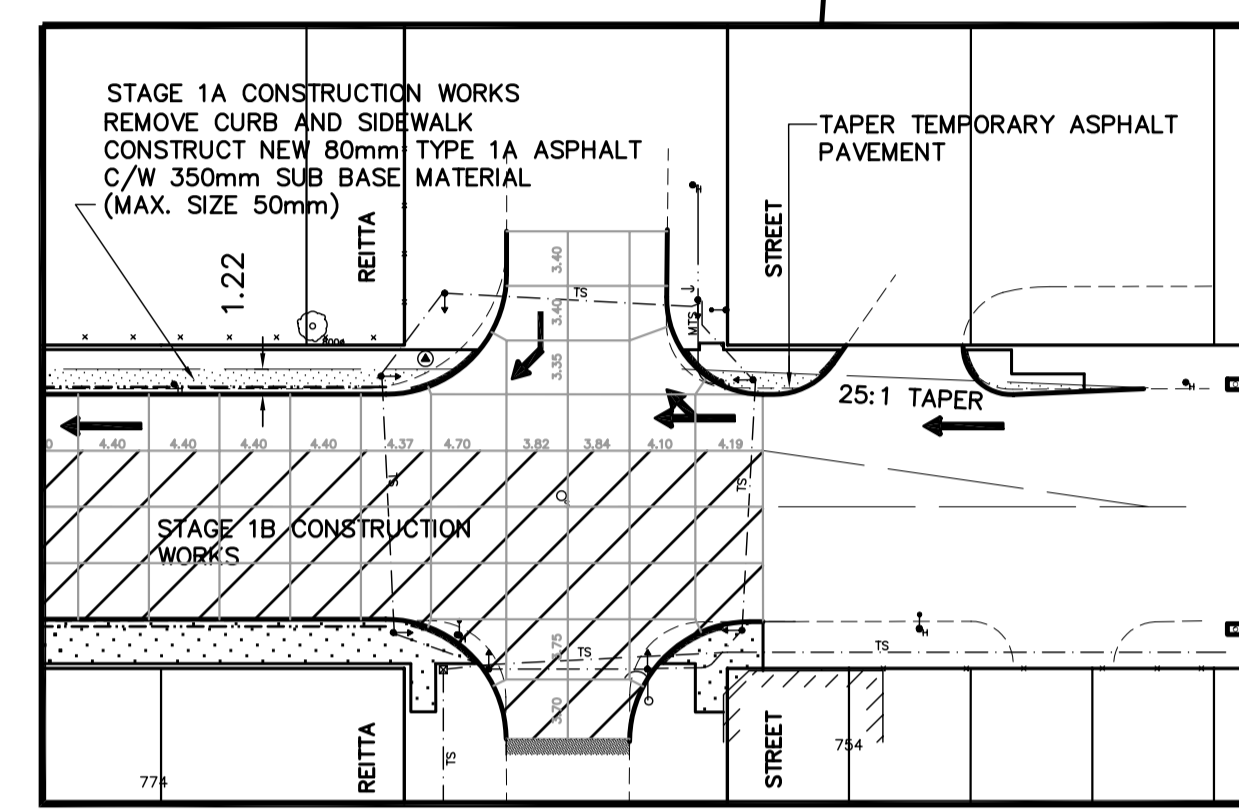
STAGE 1 B/C ARLINGTON STREET & LOGAN AVENUE INTERSECTION STAGING DETAIL

NOTE: 12 WORKING DAY CLOSURE OF ARLINGTON BRIDGE PERMITTED DURING STAGE 1B FOR CONSTRUCTION OF PAVEMENT IN LOGAN AVE/ARLINGTON ST. INTERSECTION. ARLINGTON BRIDGE TO BE REOPENED IMMEDIATELY UPON COMPLETION OF PAVEMENT IN INTERSECTION.

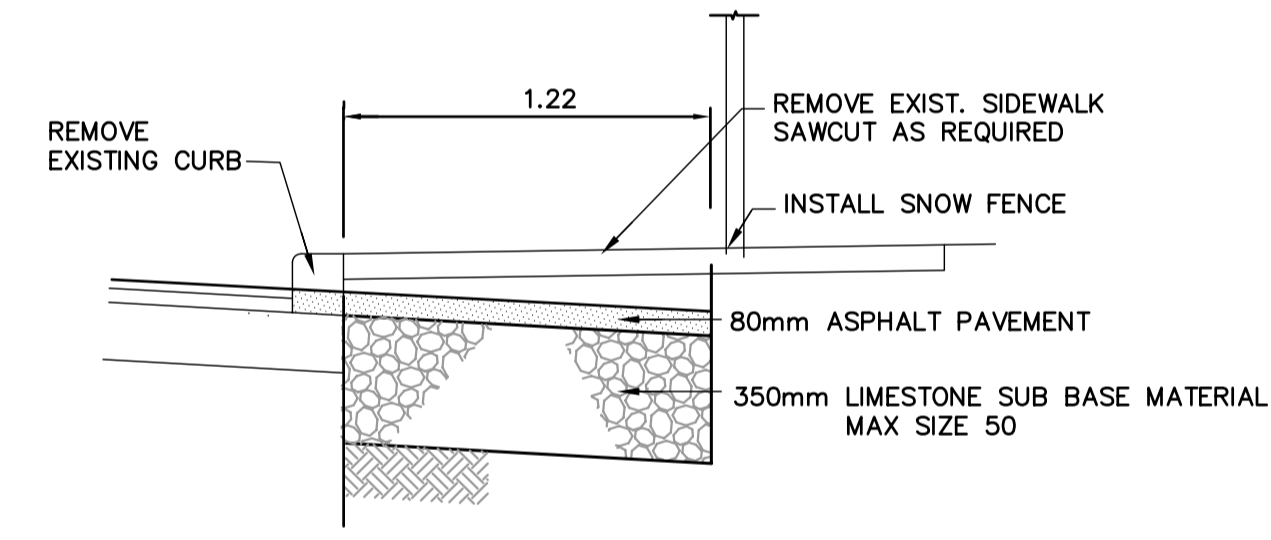


STAGE 2 ARLINGTON STREET & LOGAN AVENUE INTERSECTION STAGING DETAIL

NOTE: 10 WORKING DAY CLOSURE OF ARLINGTON BRIDGE PERMITTED DURING STAGE 2 FOR CONSTRUCTION OF PAVEMENT, CURB AND SIDEWALK IN LOGAN AVE/ARLINGTON ST. INTERSECTION. ARLINGTON BRIDGE TO BE REOPENED IMMEDIATELY UPON COMPLETION OF PAVEMENT, MONOLITHIC CURB AND SIDEWALK IN INTERSECTION.

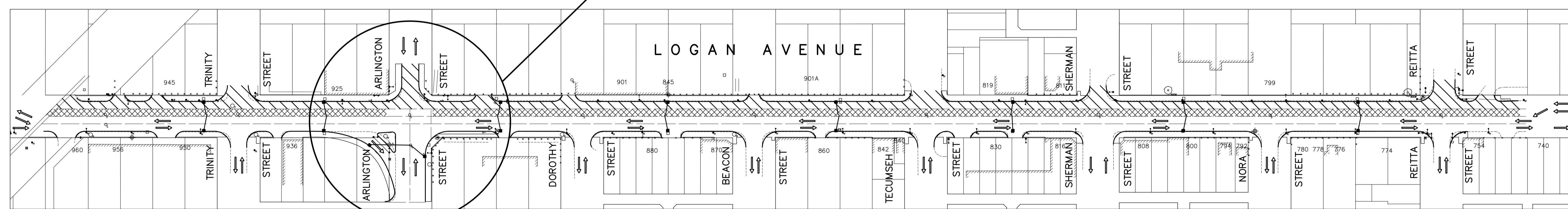


REITTA STREET & LOGAN AVENUE STAGING DETAIL



TEMPORARY ASPHALT PAVEMENT WIDENING DETAIL

APEGN
Certificate of Authorization
Earth Tech Canada Inc.
No. 730 Expiry: April 30, 2004



METRIC

WHOLE NUMBERS INDICATE MILLIMETRES
DECIMALIZED NUMBERS INDICATE METRES

STAGE 2 CONSTRUCTION WORKS
STAGE 2 TRAFFIC

LANE CLOSURE

| | | | | | |
|--------------|---------------------|--------------|-------------------|------------------|---------------------|
| 150 mm W.M. | WATERMAIN | 150 mm W.M. | HYDRO | × | PROFILE |
| ⊕ | HYDRANT | ⊕ | M.T.S. | □ | NORTH GUTTER |
| ⊕ | VALVE | ⊕ | CONCRETE | □ | SOUTH GUTTER |
| 300mm L.D.S. | LAND DRAINAGE SEWER | 300mm L.D.S. | ASPHALT | ◇ | NORTH PROPERTY LINE |
| 250mm W.W.S. | WASTEWATER SEWER | 250mm W.W.S. | PROPERTY LINE | ○ | SOUTH PROPERTY LINE |
| ○ | MANHOLE | ⊕ | SURVEY BAR | | |
| □ | CATCH BASIN | 232.750 | ELEVATION | (2.750) | |
| ▽ | CURB INLET | ⊕ | TREE | | |
| + | JUNCTIONS | ⊕ | SIDEWALK RAMP | | |
| + | CULVERT | ⊕ | CONCRETE SIDEWALK | | |
| + | GAS | ⊕ | FENCE | | |
| EXISTING | LEGEND - PLAN | PROPOSED | EXISTING | LEGEND - PLAN | PROPOSED |
| EXISTING | LEGEND - PROFILE | PROPOSED | EXISTING | LEGEND - PROFILE | PROPOSED |

LOCATION APPROVED
UNDERGROUND STRUCTURES
ORIGINAL SIGNED AND DATED 04/29/04
SUPPLY U/B STRUCTURES DATE COMMITTEE

NOTE:
LOCATION OF UNDERGROUND STRUCTURES AS SHOWN ARE BASED ON THE BEST INFORMATION AVAILABLE, BUT NO GUARANTEE IS GIVEN THAT ALL EXISTING UTILITIES ARE SHOWN OR THAT THE GIVEN LOCATIONS ARE EXACT. CONFIRMATION OF EXISTENCE AND EXACT LOCATION OF ALL SERVICES MUST BE OBTAINED FROM THE INDIVIDUAL UTILITIES BEFORE PROCEEDING WITH CONSTRUCTION.

| | | |
|-------------------------|--|--|
| B.M. 36-020 | S.E. Cor. of Logan Ave. & Trinity St. (Tbt in Conc. Foundation of #936 Logan Ave.) | 0.3m W. & 0.3m below window of N.E. Cor. of Bldg |
| ISSUED FOR CONSTRUCTION | 04/04 | KWR |
| ISSUED FOR REVIEW | 03/04 | KWR |
| NO. REVISIONS | | |

| | |
|--|------------------------------------|
| EARTH TECH | |
| Earth Tech (Canada) Inc. Winnipeg, Manitoba 204.477.5381 | |
| DESIGNED BY | KWR |
| CHECKED BY | KWR, BC |
| DRAWN BY | BC |
| APPROVED BY | ORIGINAL SIGNED |
| HOR. SCALE: | 1:250 |
| VERTICAL: | 1:10 |
| RELEASED FOR CONSTRUCTION BY: | ORIGINAL SIGNED AND DATED 04/29/04 |
| DATE | |

ENGINEER'S SEAL
PROVINCE OF MANITOBA
ORIGINAL SIGNED
K.W. RAE
Apr. 29, 2004
REGISTERED PROFESSIONAL ENGINEER
CONSULTANT DRAWING NO. CT02

THE CITY OF WINNIPEG
PUBLIC WORKS DEPARTMENT
ENGINEERING DIVISION

LOGAN AVENUE
TRINITY STREET (RAILWAY) TO REITTA STREET
STREET RECONSTRUCTION

CITY DRAWING NUMBER P-3249-02
SHEET 2 OF 7

CONSTRUCTION STAGING AND TRAFFIC