

INSTRUMENT LOOP DIAGRAM

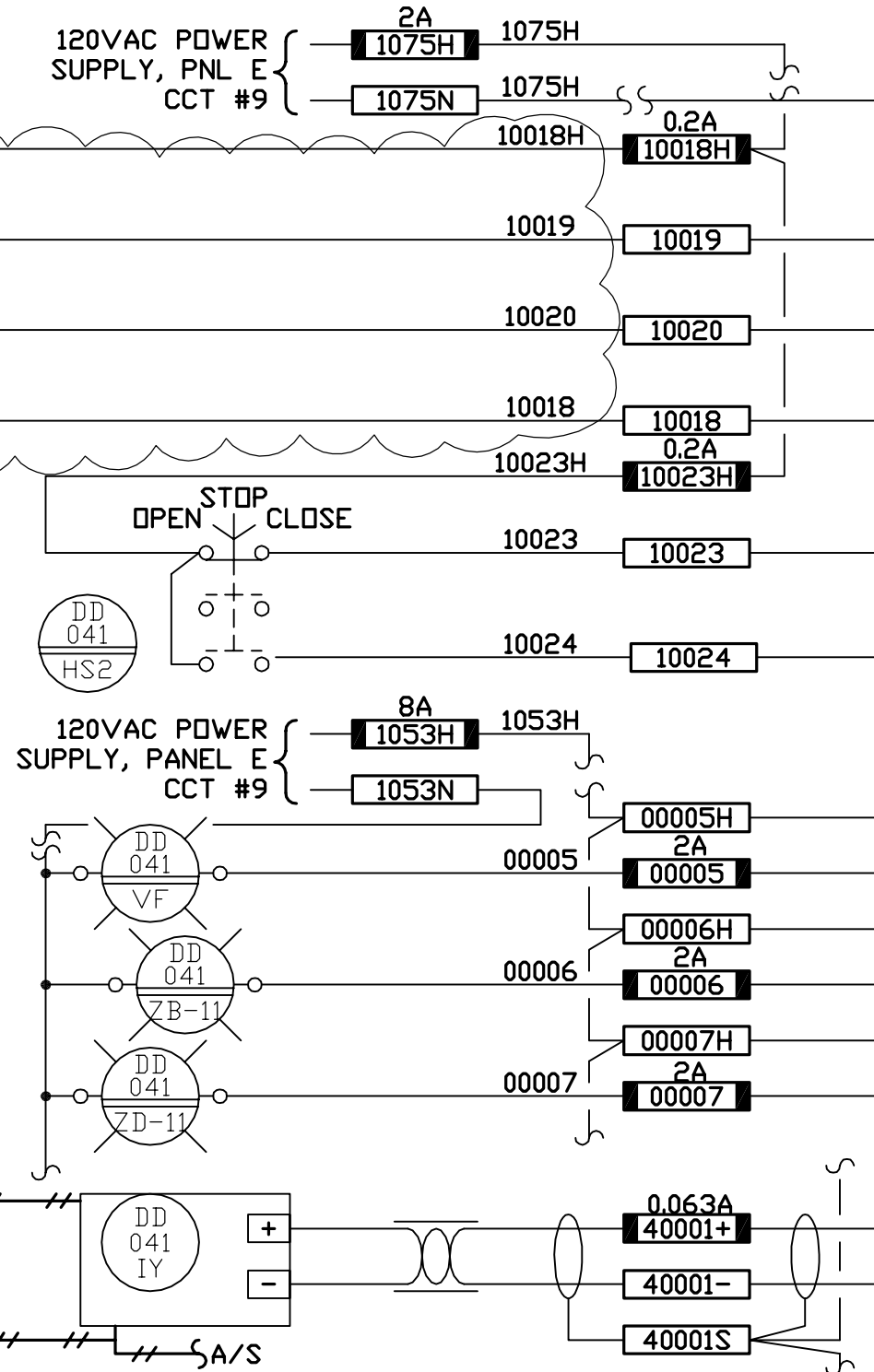
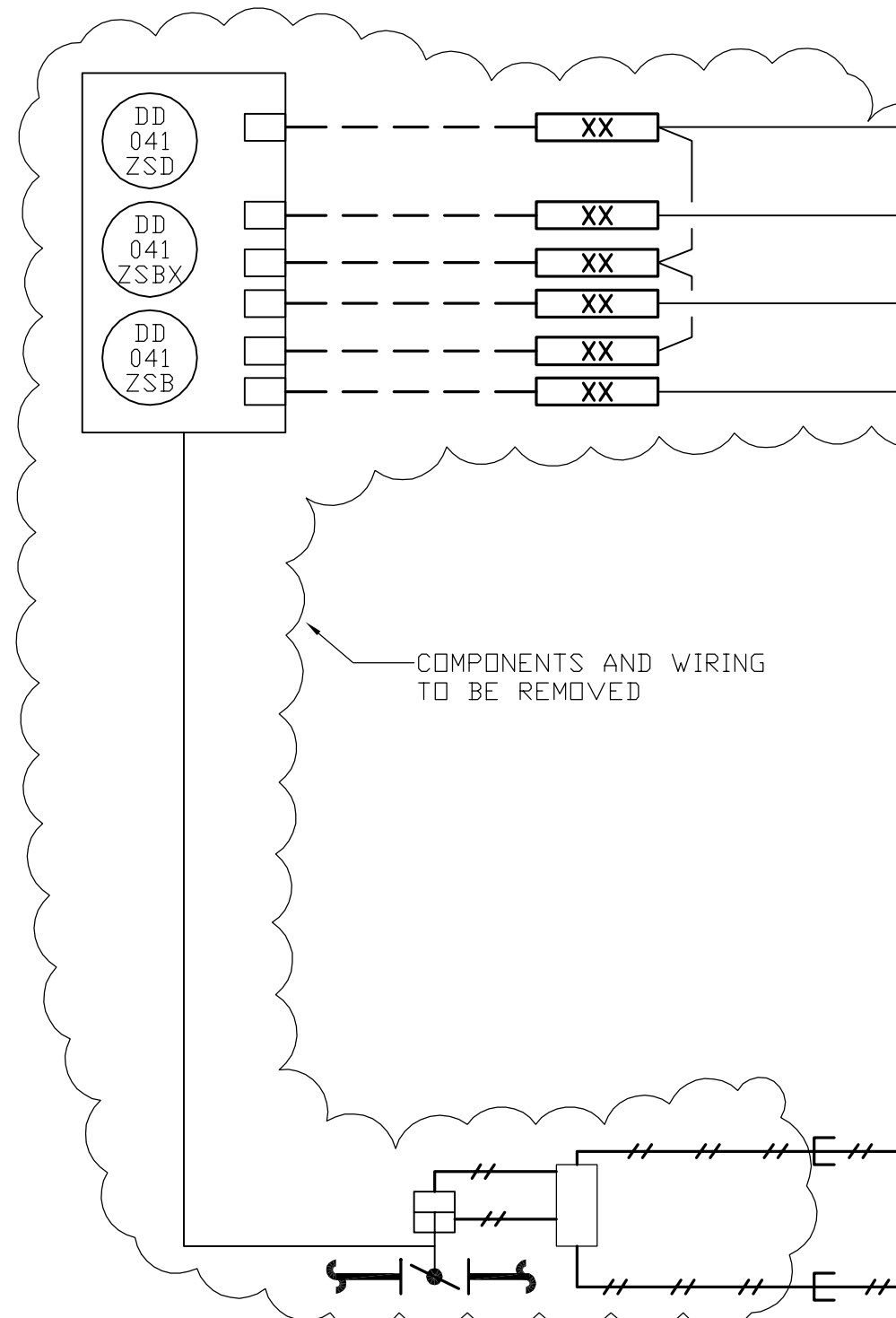
LOOP No.:

DD-041-ZSD	DD-041-HS2	DD-041-IY
DD-041-ZSBX	DD-041-ZB-11	DD-041-VF
DD-041-ZSB	DD-041-ZD-11	

FIELD

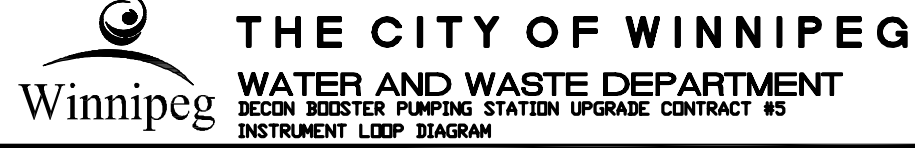
PUMP LOCAL CONTROL PANEL

PLC



PLC Rack	Slot	Module	Signal	Field/Panel ID
AS-BDEP-210 DISCRETE INPUT PLC RACK 4, SLOT 3	1		1075N	1075H
	7		10019	10019
	9		10020	10020
	5		10018	10018
DAD-041-ZD-10 DIGITAL O/P DV-1 OPEN STATUS				
DAD-041-ZS DIGITAL O/P DV-1 NTERM. STAT.				
DAD-041-ZB-10 DIGITAL O/P DV-1 CLOSE STATUS				
DAD-041-HSB DIGITAL O/P DV-1 CLOSE	18		10023	10023
	20		10024	10024
DAD-041-HSD DIGITAL O/P DV-1 OPEN				
AS-BDAP-208 DISCRETE OUTPUT PLC RACK 1, SLOT 4	14		00005H	00005H
	15		00005	00005
	16		00006H	00006H
	17		00006	00006
DAD-041-VF DIGITAL O/P DISCH. VALVE FAIL				
DAD-041-ZB-11 DIGITAL O/P VALVE CLOSE				
DAD-041-ZD-11 DIGITAL O/P VALVE OPEN	18		00007H	00007H
	19		00007	00007
AS-BDAU-202 ANALOG OUTPUT PLC RACK 2, SLOT 4	8		40001+	40001+
	9		40001-	40001-
			40001S	40001S
DAD-041-ZC ANALOG O/P DV-1 CONTROL				

NOTE:



SCALE: _____ NTS
DATE: DEC. 3, 2003
DES: BL DWN JD
CKD: _____ APP: _____

REV	DATE	REVISION	APP.
0	03/12/12	ISSUED FOR TENDER	

**DEACON BOOSTER PUMPING STATION
LCP1 - PP#1 VALVE DV-1 CONTROL
DEMOLITION**

DRAWING NO.
ILD10