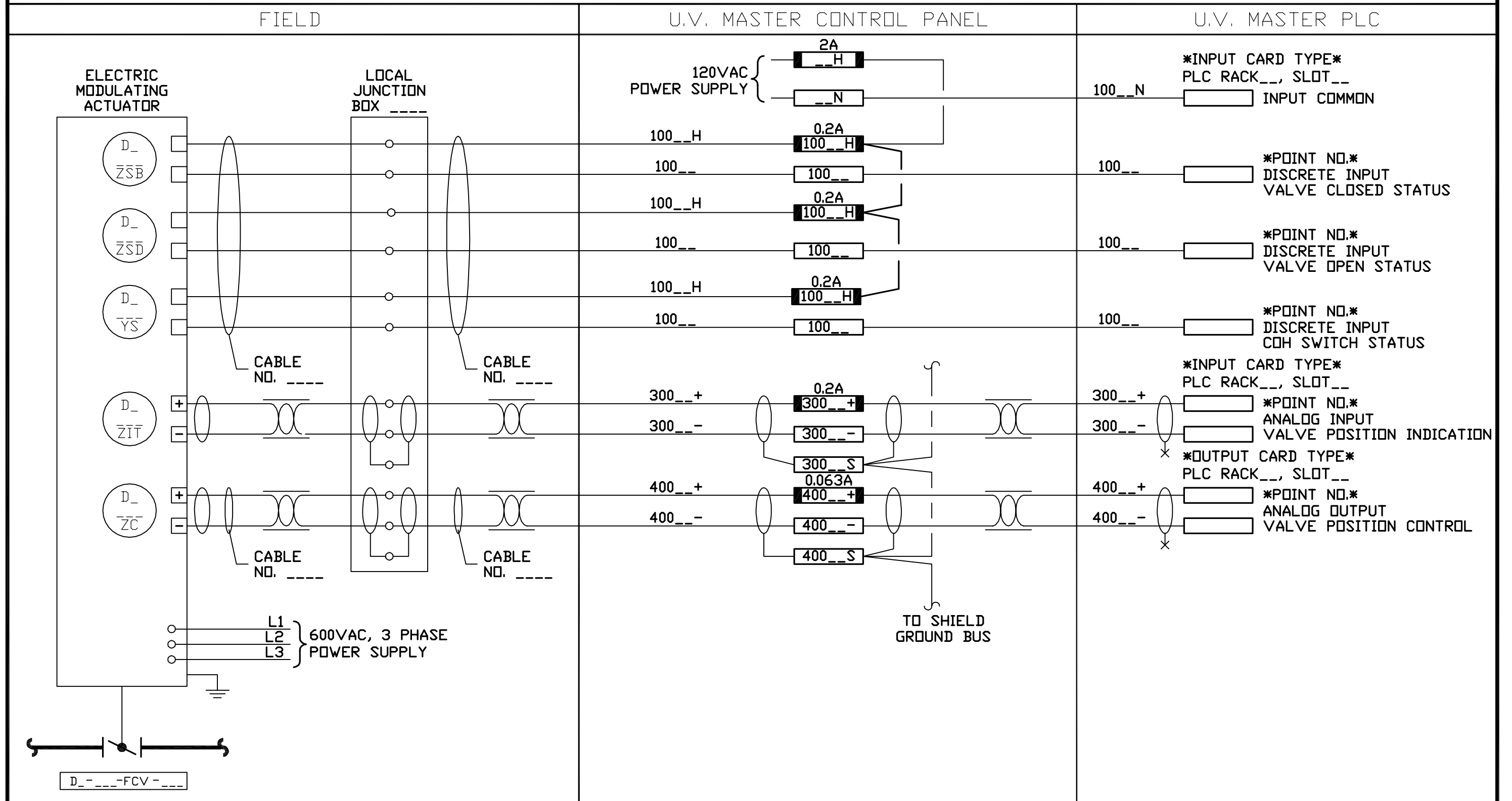


# INSTRUMENT LOOP DIAGRAM

LOOP NO.: REFER TO INSTRUMENT INDEX



NOTE:

**EARTH TECH**

A TICO INTERNATIONAL LTD. COMPANY  
Earth Tech (Canada) Inc. Winnipeg, Manitoba 204.477.5381



**THE CITY OF WINNIPEG**  
**WATER AND WASTE DEPARTMENT**  
DECON BOOSTER PUMPING STATION UPGRADE CONTRACT #5  
INSTRUMENT LOOP DIAGRAM

SCALE NTS  
DATE DEC. 3, 2003  
DES BL DWN JD  
CKD APP

REV	DATE	REVISION	APP.
0	03/12/12	ISSUED FOR TENDER	

DEACON BOOSTER PUMPING STATION  
TYPICAL ELECTRICALLY ACTUATED  
FLOW CONTROL VALVE

DRAWING NO.  
**ILD03**