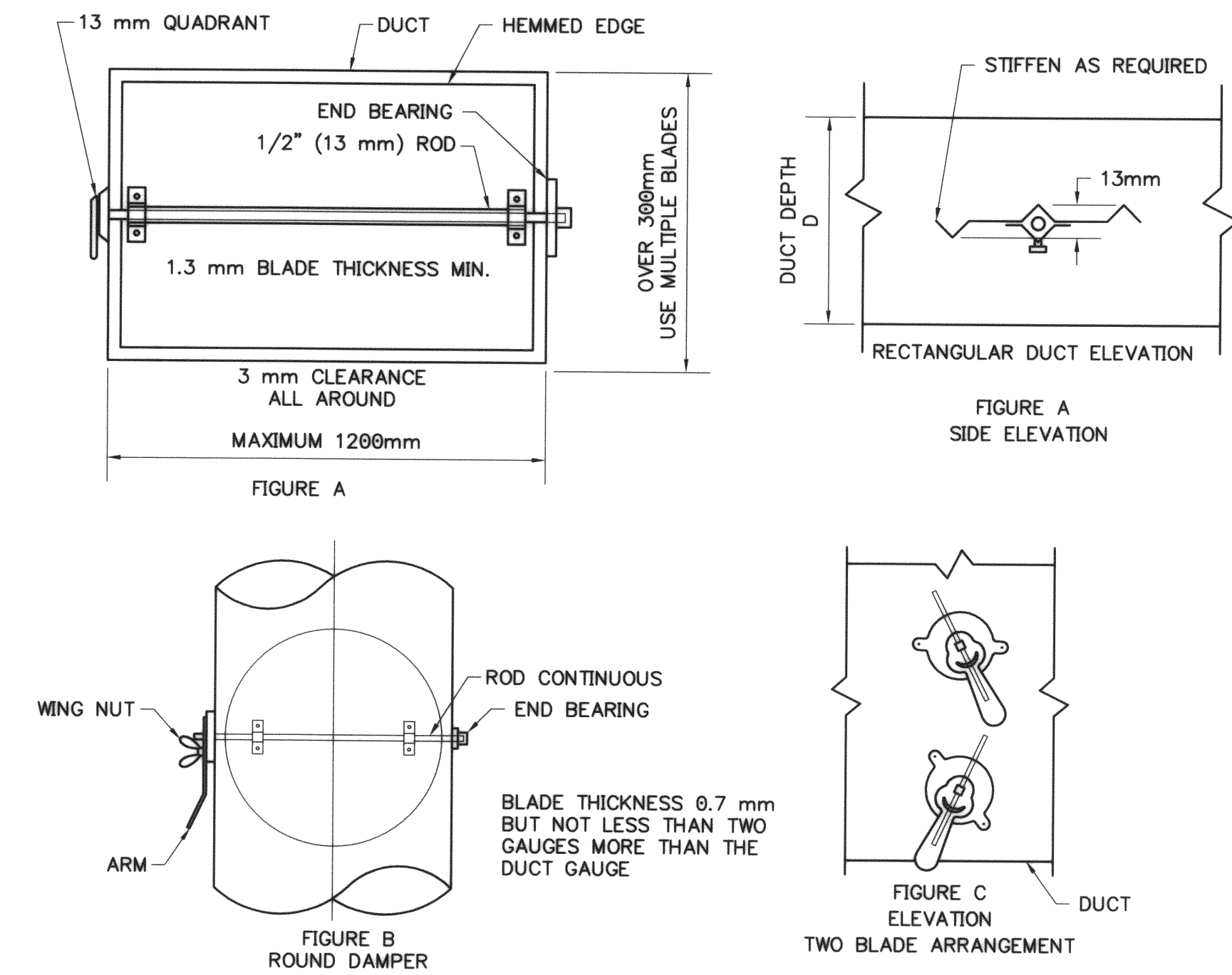
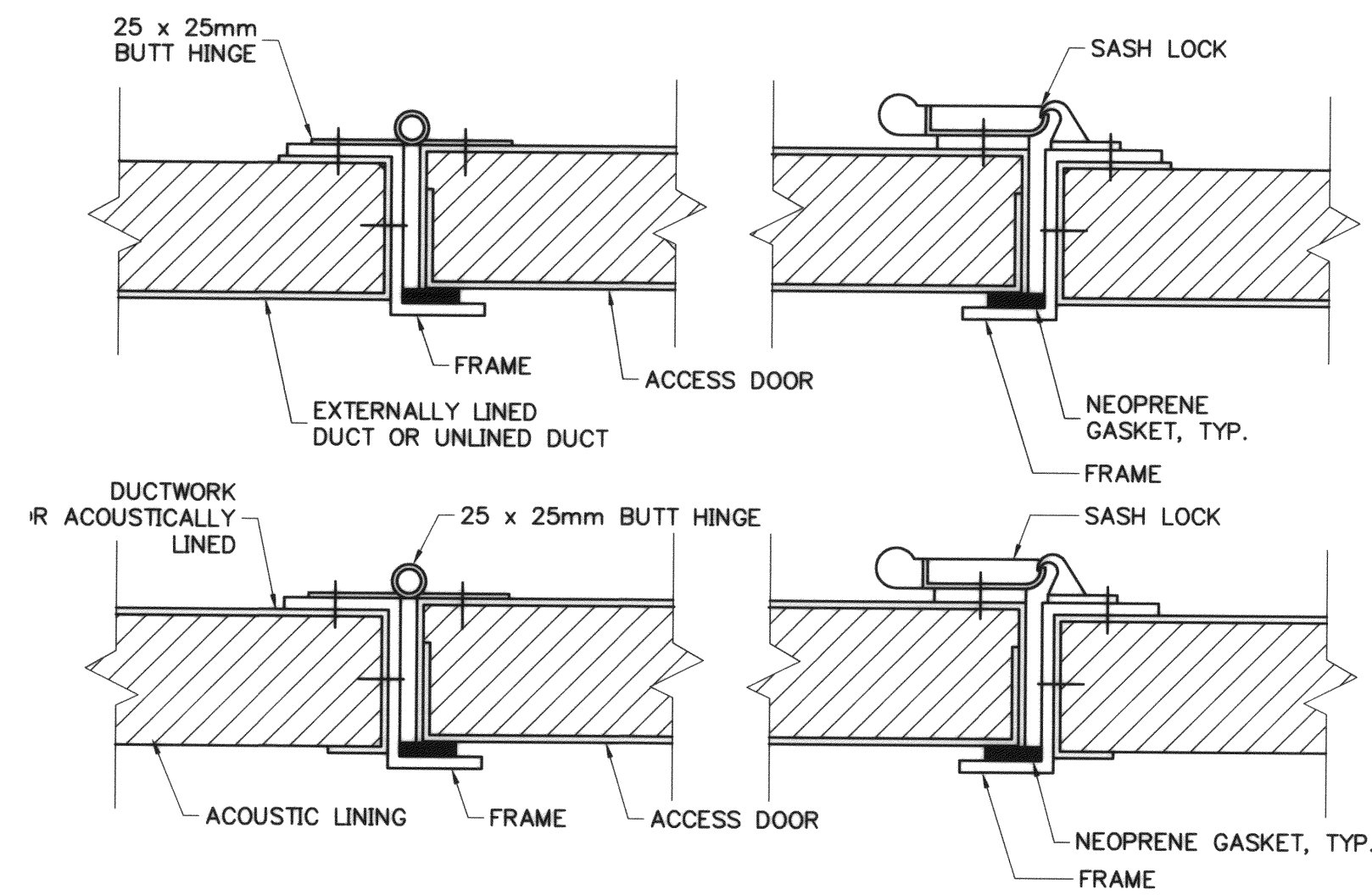


STD ROUND AND FLAT OVAL DUCT FITTINGS
701 SCALE N.T.S.



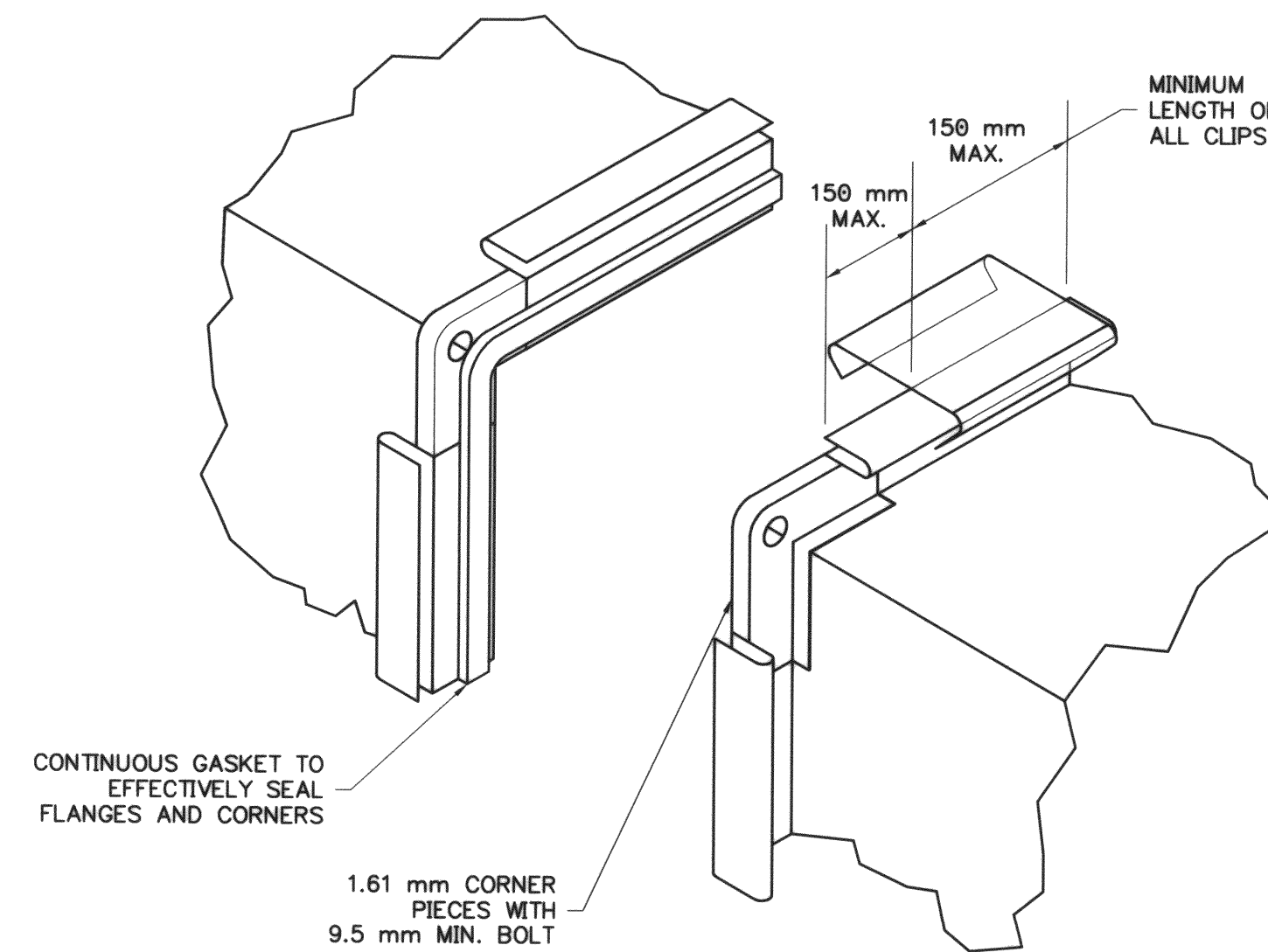
STD BALANCING DAMPER DETAIL
702 SCALE N.T.S.



STATIC PRESSURE RATING	DOOR SIZE	HINGE QTY.	LOCK QTY.	METAL GAUGE		
				FRAME	DOOR	BACK
500 Pa & LESS	300 x 300	2	1-S	24	26	26
	400 x 500	2	2-S	22	24	26
	600 x 600	3	2-S	22	24	26
UP TO 750 Pa	300 x 300	2	1-S	22	22	26
	400 x 500	2	1-S,1-T,1-B	20	20	26
	600 x 600	3	2-S,1-T,1-B	20	20	24
1000 Pa to 2500 Pa	300 x 300	2	1-S,1-T,1-B	20	20	26
	400 x 500	3	2-S,1-T,1-B	20	18	24
	600 x 600	3	2-S,2-T,2-B	18	18	24

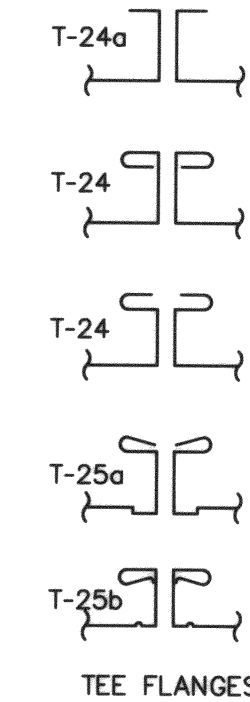
S: SIDE OPPOSITE HINGE, T: TOP, B: BOTTOM

STD DUCT ACCESS DOOR DETAILS
703 SCALE N.T.S.



STD SQUARE/RECTANGULAR DUCTWORK CONSTRUCTION DETAIL
704 SCALE N.T.S.

NOTES:
SECURELY ATTACH ADDITIONAL METAL CLIPS ON FLANGES AT 300 mm MAXIMUM CENTRES FOR 750 Pa STATIC OR LESS AND AT 300 mm MAXIMUM CENTRES FOR HIGHER PRESSURES. 0.85 mm MINIMUM.
CONTINUOUS CLEATS MAY BE USED.



APEGM
Certificate of Authorization
Earth Tech Canada Inc.
No. 730 Expiry: April 30, 2004

B.M. ELEV.	EARTH TECH		CH2MHILL		ENGINEER'S SEAL
	DESIGNED BY: JDB	CHECKED BY: AMB	PROVINCE OF MANITOBA DEC 16/03 A. M. AFTANAS REGISTERED PROFESSIONAL ENGINEER		THE CITY OF WINNIPEG Winnipeg WATER AND WASTE DEPARTMENT
	DRAWN BY: DL	APPROVED BY: D.T.	DEACON ULTRAVIOLET (UV) LIGHT DISINFECTION PROJECT		
	HOR. SCALE: NTS	RELEASED FOR CONSTRUCTION BY:	CONSULTANT DRAWING NO. 63672-C5-M07		CITY FILE NUMBER
	VERTICAL SCALE:	DATE: 2003/11/07	MECHANICAL - HVAC UPGRADE DETAILS		SHEET 7 OF 7
NO. REVISIONS	DATE	BY	SHEET 2 OF 2		CITY DRAWING NUMBER D-8425